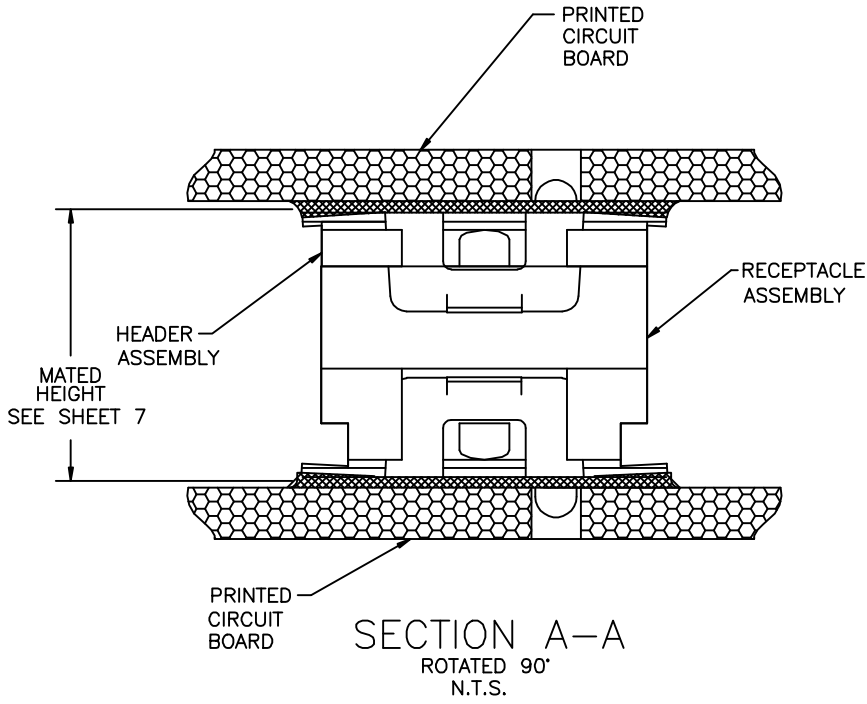
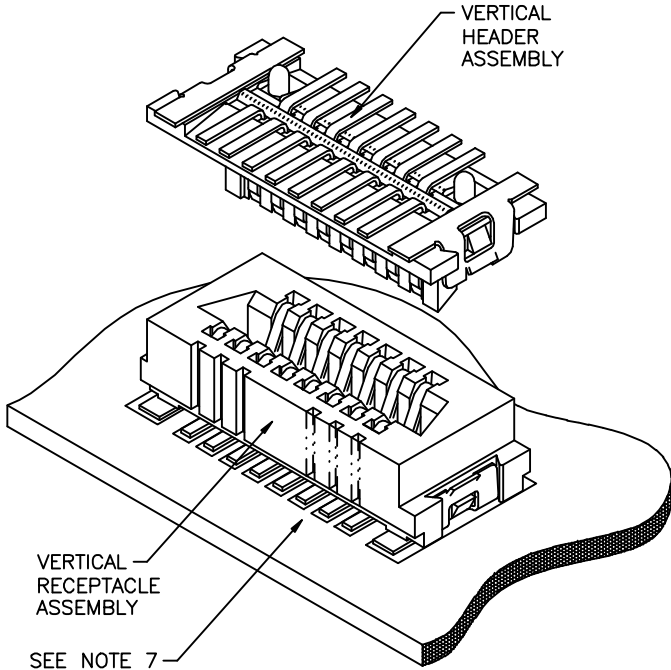


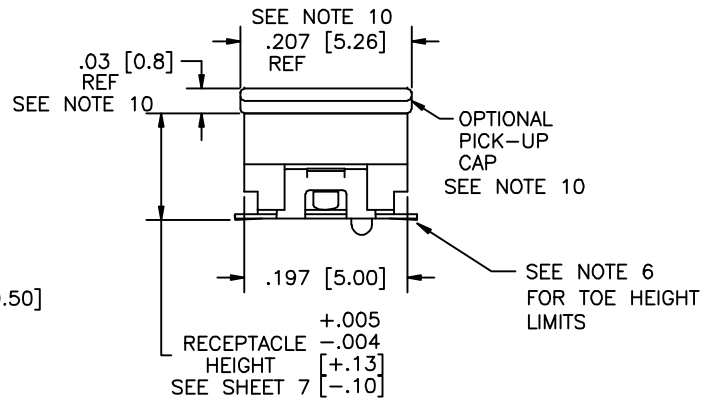
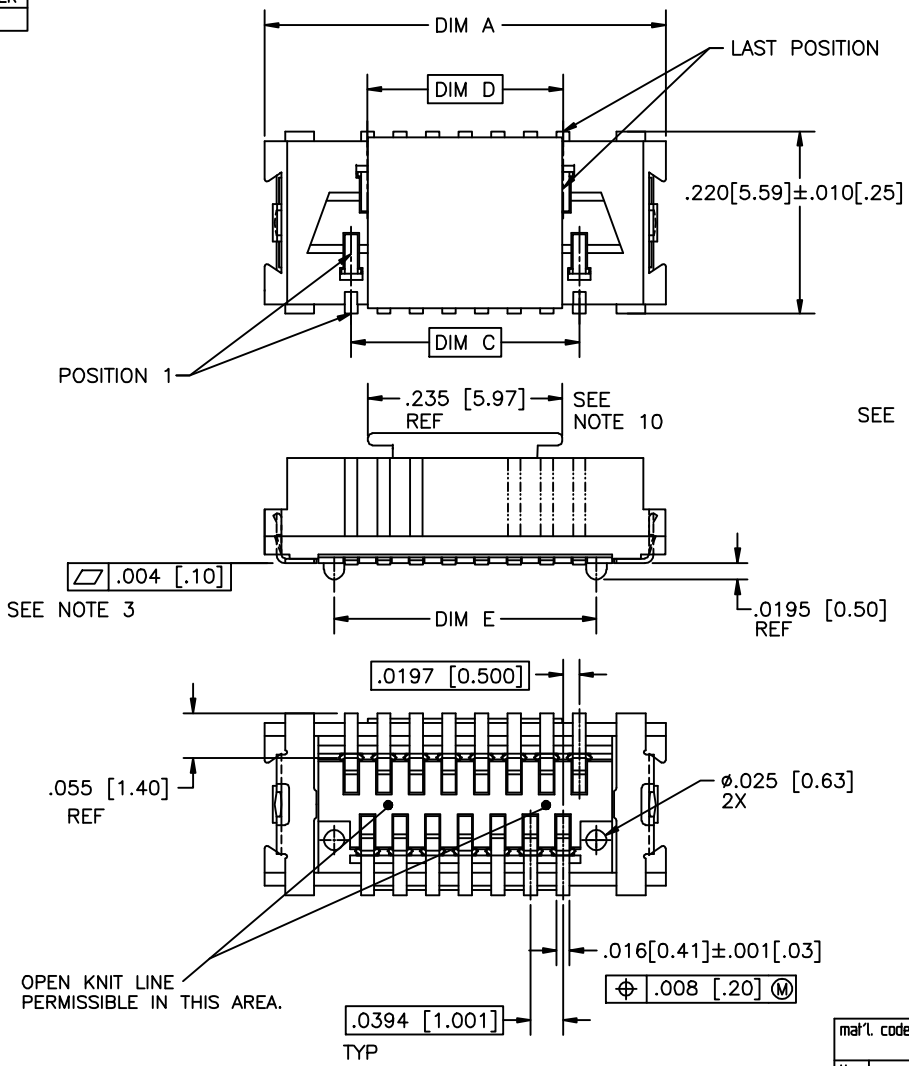
PRODUCT NUMBER
SEE TABLE



Copyright FCI

mat'l. code				surface	tolerance	projection	product family
				ISO 1902	ISO 406 ISO 1101		CONAN
ltr	ecn no	dr	date	tolerances unless otherwise specified			title
Y	V03-1347	AA	12/20/01	angles	XXX.01/XXX.03		
AA	M04-0190	MHT	9/24/04	linear	XXX.006/XXX.013	scale 5:1	CONAN™ CONNECTOR ASSEMBLY
AB	M05-0110	MHT	5/26/05	0'±2'	XXX.0020/XXX.0051		dwg no
AC	M06-0232	AGS	06/12/08	dr	R.SEIPLE	11/13/91	sheet 1 of 7
AD	M06-0373	MHT	9/26/06	engr	D.HORCHLER	01/10/92	size
AE	M08-0012	AGS	1/11/08	chr	D.HORCHLER	01/10/92	A3
AF	M08-0287	MHT	10/02/08	appd	D.HORCHLER	01/10/92	type
sheet	revision	AF	AF	AF	AF	AF	Product Customer Drawing
index	sheet	1	2	3	4	5	

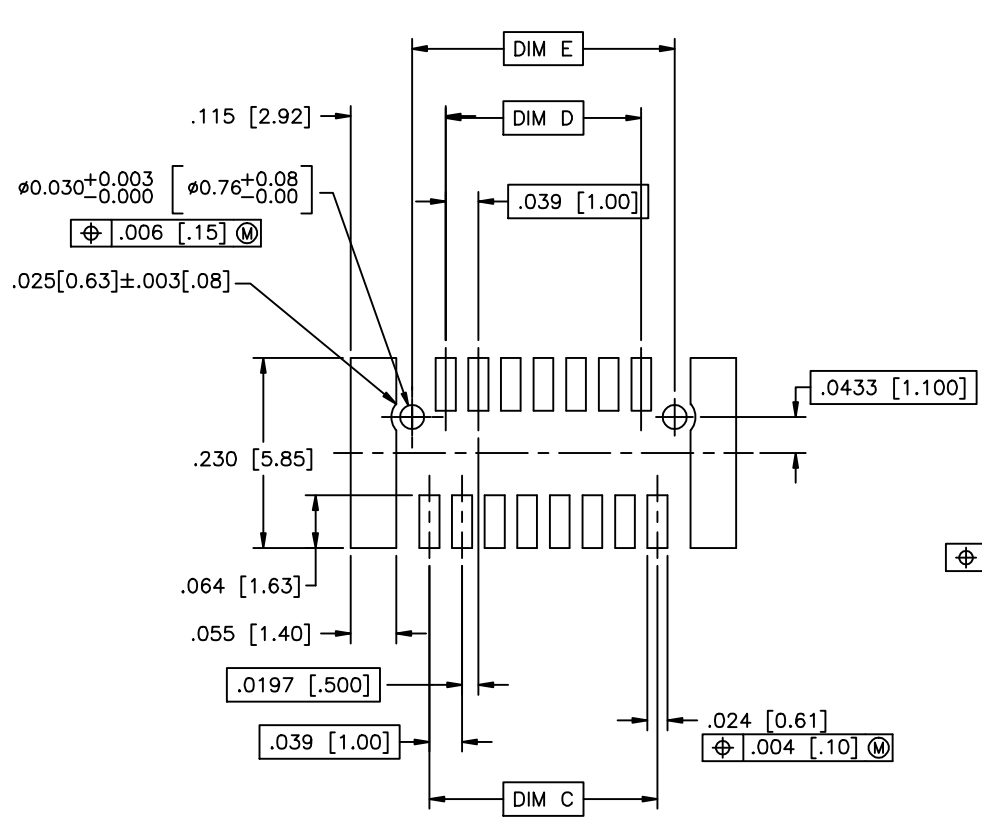
PRODUCT NUMBER
SEE TABLE



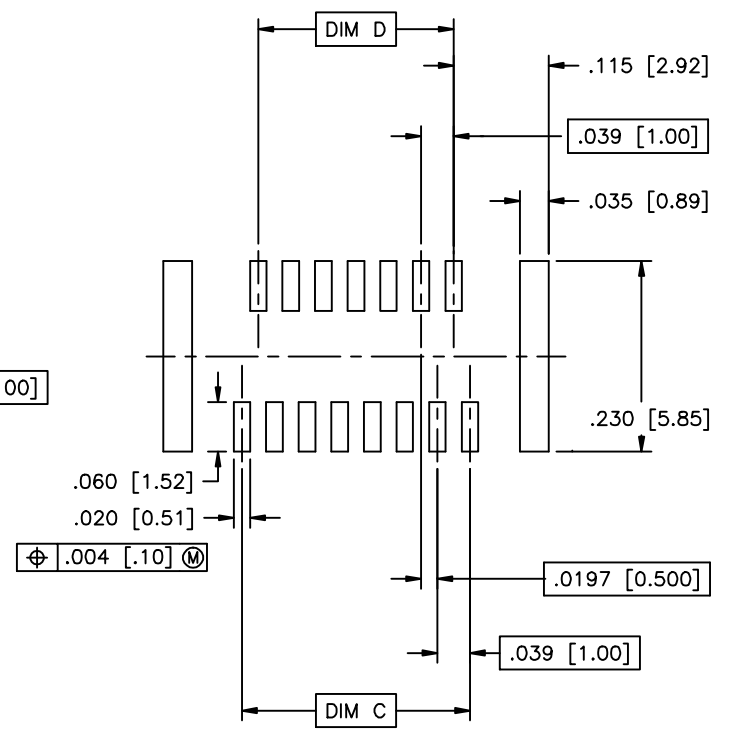
Copyright FCJ

mat'l. code		surface	ISO 1902	tolerance	ISO 406	projection	ISO 1101	product family	CONAN
ltr	ecn no	dr	date	tolerances unless otherwise specified		INCH/MM	scale 5:1	title	
AF				linear	.XXX±.01/.X±0.3			CONAN™ CONNECTOR ASSEMBLY	
				0°±2'	.XXX±.006/.XX±0.13			dwg no	91900
					.XXX±.0020/.XXX±0.051			sheet 2 of 7	size A3
				dr	R.SEIPLE	11/13/91			
				engr	D.HORCHLER	01/10/92			
				chr	D.HORCHLER	01/10/92			
				appd	D.HORCHLER	01/10/92			
sheet	revision							type Product Customer Drawing	
index	sheet								

PRODUCT NUMBER
SEE TABLE



RECOMMENDED
PAD LAYOUT



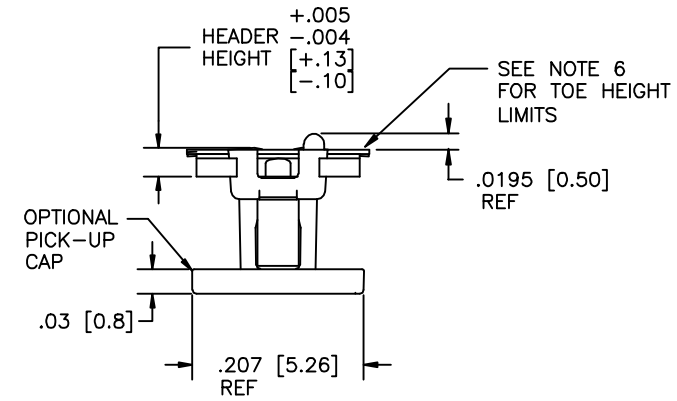
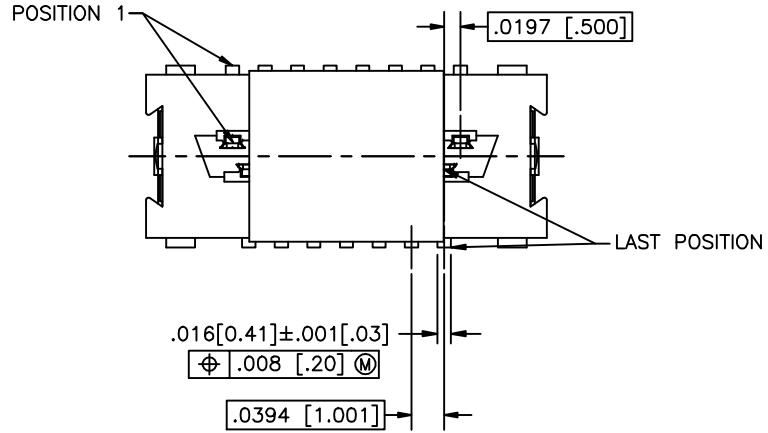
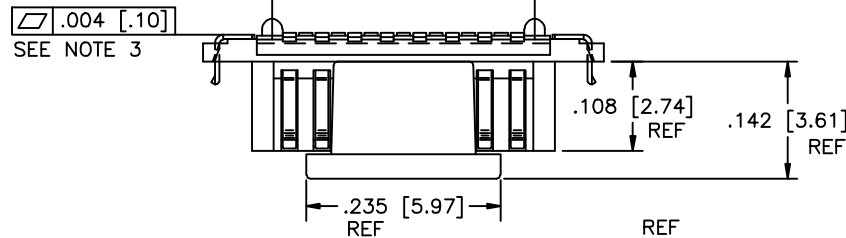
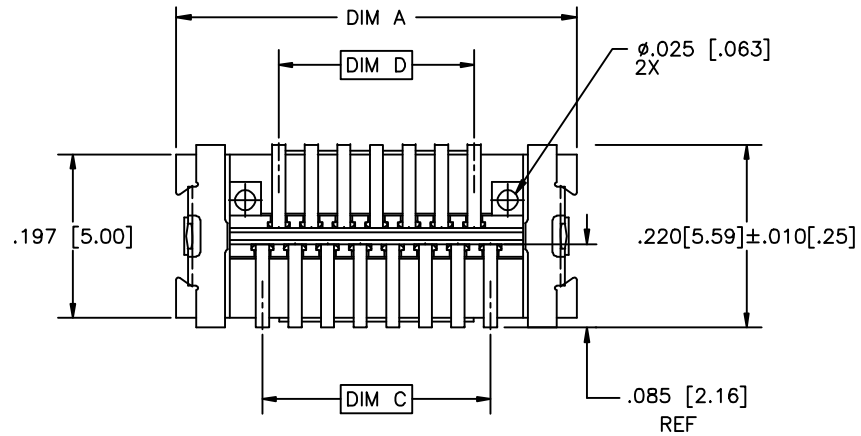
RECOMMENDED
STENCIL LAYOUT
FOR RECEPTACLE



Copyright FCJ

mat'l. code		surface ISO 902		tolerance ISO 406 ISO 701		projection INCH/MM		product family CONAN	
ltr	ecn no	dr	date	tolerances unless otherwise specified				title CONAN™ CONNECTOR ASSEMBLY	
AF				angles	linear	XXX±.01/XXX±.03	scale 5:1		sheet 3 of 7 size
				0'±2'		XXX±.006/XXX±.013			A3
						XXX±.0020/XXX±0.051			
		dr	R.SEIPLE	11/13/91			FCJ		dwg no 91900
		engr	D.HORCHLER	01/10/92					type Product Customer Drawing
		chr	D.HORCHLER	01/10/92					
		appd	D.HORCHLER	01/10/92					
sheet index	revision sheet								

PRODUCT NUMBER
SEE TABLE



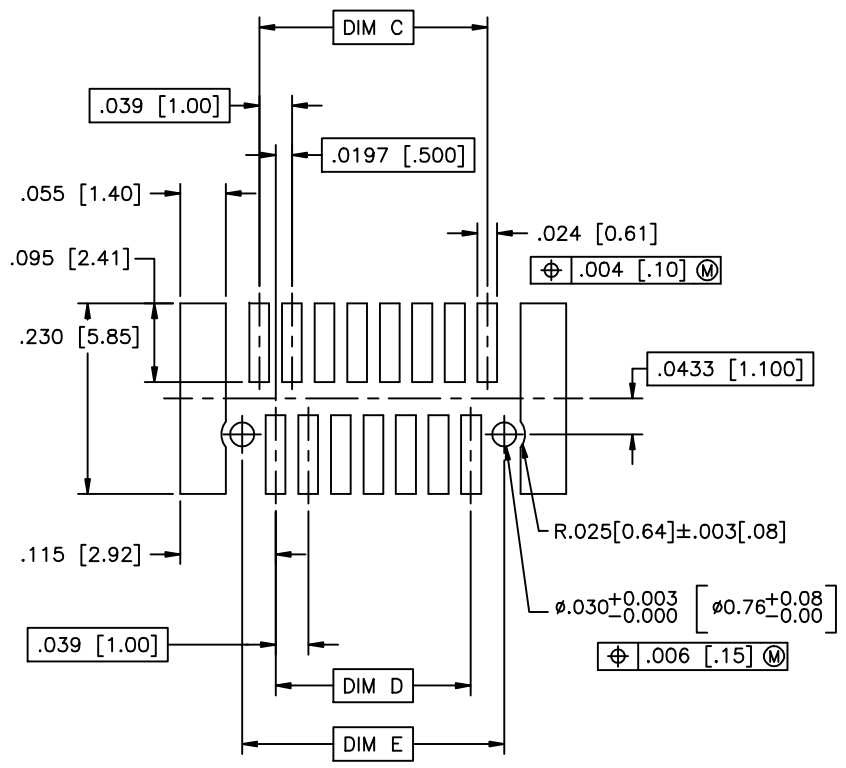
mat'l. code	surface ISO 1902	tolerance ISO 406 ISO 7001	projection 	product family CONAN
ltr	ec'n no	dr	date	title CONAN™ CONNECTOR ASSEMBLY
AF				scale 5:1
				sheet 4 of 7 size A3
				type Product Customer Drawing
dr	R. SEIPLE	11/13/91		
engr	D. HORCHLER	01/10/92		
chr	D. HORCHLER	01/10/92		
appd	D. HORCHLER	01/10/92		
sheet index	revision sheet			



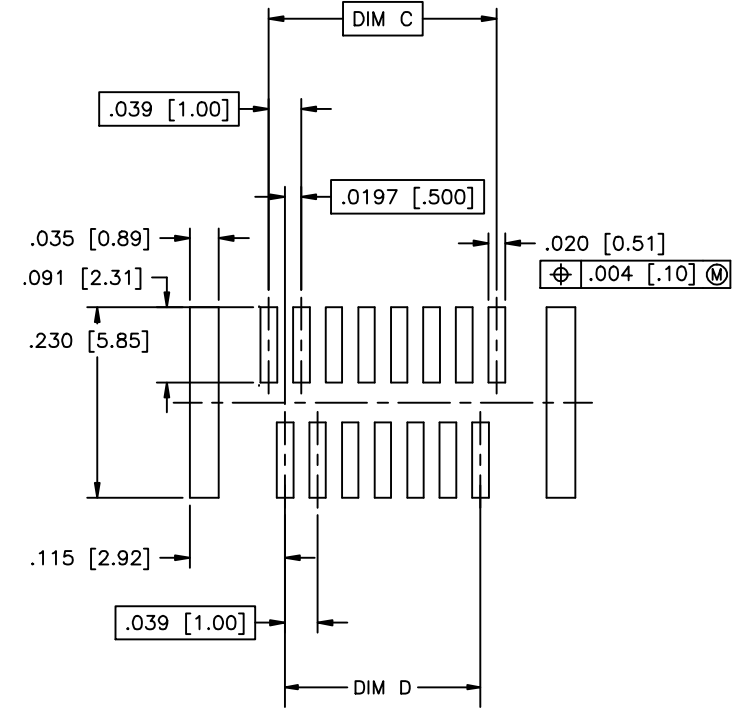
Copyright FCJ

form A3

PRODUCT NUMBER
SEE TABLE



RECOMMENDED
PAD LAYOUT



RECOMMENDED
STENCIL LAYOUT
FOR HEADER



Copyright FCJ

mat'l. code		surface ISO 1902		tolerance ISO 406 ISO 7001		projection FIRST ANGLE		product family CONAN	
ltr	ecp no	dr	date	tolerances unless otherwise specified				title CONAN™ CONNECTOR ASSEMBLY	
AF				angles	linear	XXX±.01/XXX±.03	INCH/MM		sheet 5 of 7 size
				0'±2'		XXX±.006/XXX±0.13	scale 5:1		A3
						XXX±.0020/XXX±0.051	FCJ		91900
dr				R.SEIPLE		11/13/91	type		Product Customer Drawing
engr				D.HORCHLER		01/10/92			
chr				D.HORCHLER		01/10/92			
appd				D.HORCHLER		01/10/92			
sheet index	revision sheet								

PRODUCT NUMBER	POS	DIM "A"	DIM "C"	DIM "D"	DIM "E"
919TC-WXY09	9	.366 [9.30]	.157 [4.00]	.118 [3.00]	.1990 [5.055]
-WXY09LF					
-WXY11	11	.406 [10.30]	.197 [5.00]	.157 [4.00]	.2380 [6.045]
-WXY11LF					
-WXY15	15	.484 [12.30]	.276 [7.00]	.236 [6.00]	.3170 [8.052]
-WXY15LF					
-WXY21	21	.602 [15.30]	.394 [10.00]	.354 [9.00]	.4350 [11.049]
-WXY21LF					
-WXY25	25	.681 [17.30]	.472 [12.00]	.433 [11.00]	.5140 [13.056]
-WXY25LF					
-WXY31	31	.800 [20.30]	.591 [15.00]	.551 [14.00]	.6320 [16.053]
-WXY31LF					
-WXY41	41	.996 [25.30]	.787 [20.00]	.748 [19.00]	.8290 [21.057]
-WXY41LF					
-WXY51	51	1.193 [30.30]	.984 [25.00]	.945 [24.00]	1.0260 [26.060]
-WXY51LF					
-WXY69	69	1.547 [39.30]	1.339 [34.00]	1.299 [33.00]	1.3800 [35.052]
-WXY69LF					

NOTES:

1. MATERIALS:

RECEPTACLE HOUSING - LCP, UL-94V-0. COLOR: NATURAL.

RECEPTACLE TERMINALS - COPPER ALLOY, PLATED WITH 15u"/.38u GXT™ IN CONTACT AREA AND 100u"/2.54u Sn ON SOLDER LEGS WITH AN OVERALL 50u"/1.27u Ni UNDERPLATE.

HEADER HOUSING - LCP, UL-94V-0. COLOR: NATURAL.

HEADER TERMINALS - COPPER ALLOY, PLATED WITH 15u"/.38u GXT™ IN CONTACT AREA AND 100u"/2.54u Sn ON SOLDER LEGS WITH AN OVERALL 50u"/1.27u Ni UNDERPLATE.

RETENTION DEVICE - BRASS, PLATED WITH 100u"/2.54u Sn OVER NICKEL.

2. REFERENCE GS-12-006 FOR PRODUCT PERFORMANCE DATA.

- ③ SEE TA-774 FOR FURTHER DESCRIPTION OF HOW THIS DIMENSION IS APPLIED.
- ④ PICK AND PLACE CAP OR TAPE IS ONLY AVAILABLE WITH OPTION 3 PACKAGING. (PSA ADHESIVE SEALED). ALSO, PSA PACKAGING REQUIRES A PICK AND PLACE CAP.
- 5. RECOMMENDED SOLDER PASTE THICKNESS IS .006 TO .008 INCHES THICK.
- ⑥ THE TOE HEIGHT OF THE SOLDER TAIL SHALL BE MEASURED FROM THE LOWEST POINT OF THE .004 CO-PLANARITY GRAVITY PLANE. THIS MEASUREMENT IS NOT TO EXCEED A WINDOW OF .000 TO .007 INCHES.
- ⑦ THREE SLOTS MAY BE LOCATED AT EITHER END OF HOUSING.
- ⑧ 5.50mm MATED HEIGHT IS ONLY AVAILABLE IN 9, 15 AND 31 POS.
- ⑨ 7.50mm MATED HEIGHT IS ONLY AVAILABLE IN 9 POS.
- ⑩ APPLIES TO 91921-3XYZZ AND 91931- 3XYZZ OPTIONS ONLY.
- 11. THE HOUSING WILL WITHSTAND EXPOSURE TO 260°C PEAK TEMPERATURE FOR 30 SECONDS IN A CONVECTION INFRA RED OR VAPOR PHASE REFLOW OVEN. SEE APPLICATION/PROCEDURES IF THEY ARE AVAILABLE
- ⑫ PRODUCT WITH "LF" AT THE END MEETS EUROPEAN UNION DIRECTIVES AND OTHER COUNTRY REGULATION AS DESCRIBED IN GS-22-008.



FCIconnect.com

Copyright FCI

mat'l. code		surface ISO 1902		tolerance ISO 406 ISO 7001		projection 		product family CONAN	
ltr	ecn no	dr	date	tolerances unless otherwise specified					
AF				angles	linear	XXX.X/XXX.3	INCH/MM	title CONAN™ CONNECTOR ASSEMBLY	
				0°±2'	XXX±.006/XXX±0.13	XXX±.0020/XXX±0.051	scale 5:1	dwg no 91900	
				dr	R.SEIPLE	11/13/91		sheet 6 of 7 size A3	
				engr	D.HORCHLER	01/10/92		type Product Customer Drawing	
				chr	D.HORCHLER	01/10/92			
				appd	D.HORCHLER	01/10/92			
sheet	revision								
index	sheet								

PRODUCT NUMBER
SEE TABLE

CONAN ASSEMBLY PART NUMBER

919 T C - W X Y ZZ LF

LEAD FREE OPTION
SEE NOTE 12

TYPE	T
HEADER WITH NO PEGS	0
HEADER WITH PEGS	1
RECEPTACLE WITH NO PEGS	2
RECEPTACLE WITH PEGS	3

PICK AND PLACE CAP OR TAPE (NOTE 4)	C
WITHOUT CAP OR TAPE	0
WITH CAP	1
WITH TAPE (RECEPTACLE ONLY)	2

PACKAGING	W
TUBE	2
PRESSURE SEALED TAPE & REEL	3

NOTE 4

Y	HEADER HEIGHT	RECEPTACLE HEIGHT	MATED HEIGHT + .010 - .008 [+ .25] [- .20]
1	.034 [.86]	.129 [3.28]	.163 [4.15]
2	.048 [1.23]	SEE Y=1 FOR ALL RECEPTACLES	.177 [4.50]
3	.068 [1.73]		.197 [5.00]
4	.107 [2.72]		.236 [6.00]
5	.1465 [3.721]		.276 [7.00]
* 6	.088 [2.23]		.216 [5.50]
** 7	.1665 [4.229]		.296 [7.52]

* NOTE 8
** NOTE 9

X	PLATING
1	15u"/.38u GXT™
2	30u"/.76u GXT™

ZZ	NUMBER OF POSITIONS
09	9
11	11
15	15
21	21
25	25
31	31
41	41
51	51
69	69

EXAMPLE: 91921-31125LF
IS A CONAN RECEPTACLE ASSEMBLY,
HAVING NO PEGS AND WITH A PICK AND PLACE CAP.
IT ALSO HAS GXT™ PLATING, IS .13 [3.2] HIGH AND 25
POSITIONS AND IS PACKAGED IN PRESSURE SEALED TAPE,
REEL AND LEAD FREE.

mat'l. code		surface ISO 902	tolerance ISO 406 ISO 1101	projection 	product family CONAN
ltr	ecn no	dr	date	title CONAN™ CONNECTOR ASSEMBLY	
AF				INCH/MM 	scale 5:1
angles		linear		dwg no 91900	
0° ± 2'		XXX±.01/XXX.03 XXX±.006/XXX.013 XXX±.0020/XXX.0051		sheet 7 of 7 size A3	
dr	R.SEIPLE	11/13/91		type Product Customer Drawing	
engr	D.HORCHLER	01/10/92			
chr	D.HORCHLER	01/10/92			
appd	D.HORCHLER	01/10/92			
sheet	revision				
index	sheet				

Form A3