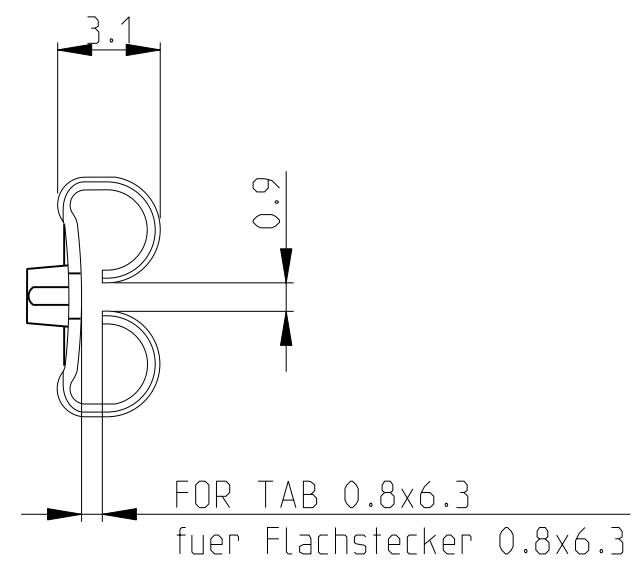
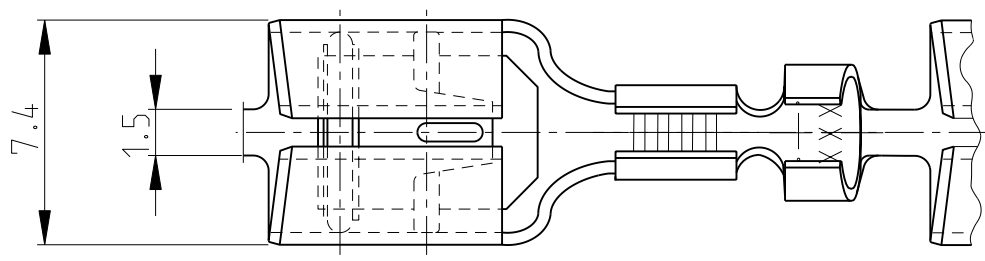
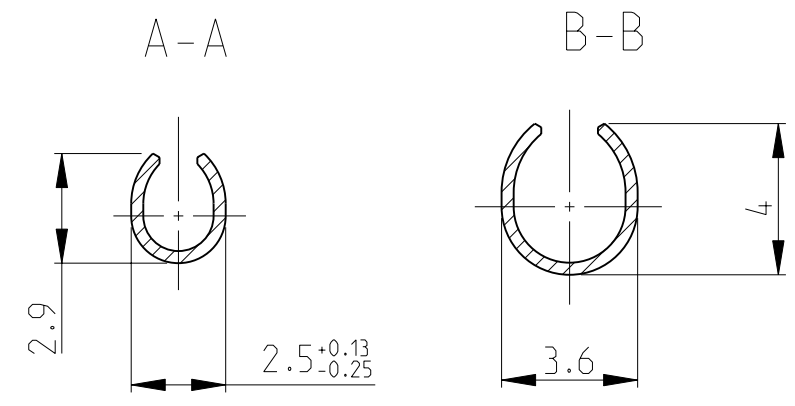
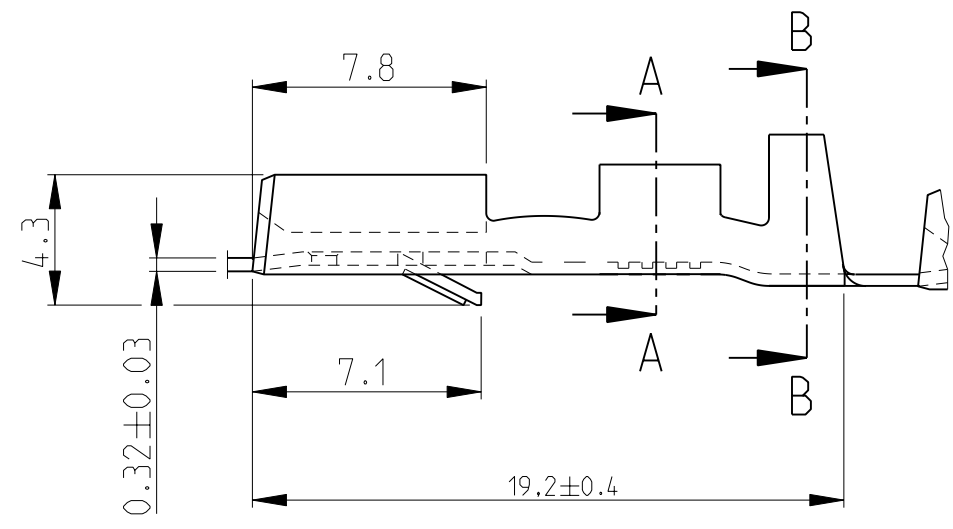
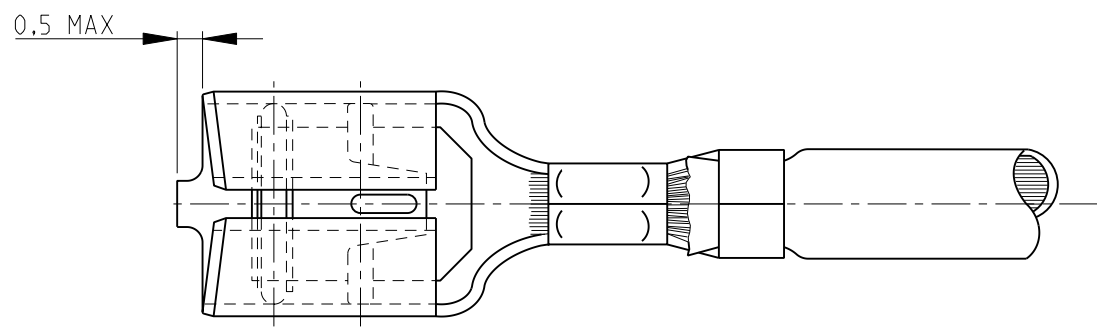
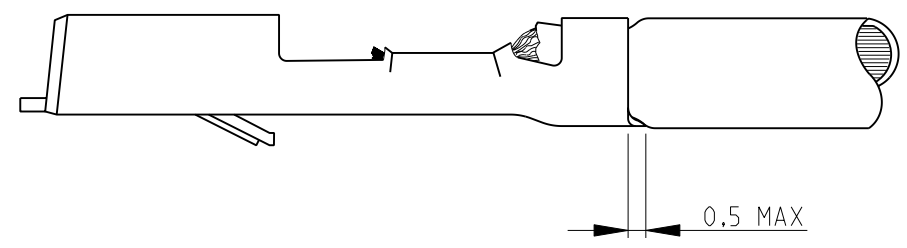


THIS DRAWING IS UNPUBLISHED. RELEASED FOR PUBLICATION 2008
 © COPYRIGHT 2008 BY TYCO ELECTRONICS CORPORATION. ALL RIGHTS RESERVED.

| LOC | DIST | REVISIONS | | | | |
|-----|------|-------------|-------------------------|-----------|------|------|
| P | LTR | DESCRIPTION | DATE | DWN | APVD | |
| A1 | - | AN | NEW CAD DRAWING CREATED | 07JUL2008 | Abr | Goep |



SPECIAL PREFORMING
 FOR HAND TOOL 825514
 Spezial Vorformung
 fuer Handzange 825514



| WIRE CRIMP | INSULATION CRIMP | STRIP NO. | FINISH | MATERIAL | LP NO. | REV. |
|------------|------------------|------------|--------------|------------|----------|--|
| .090 F | .130 F | 6-160526-0 | SILVERPLATED | CuSn4 F56 | 925603-5 | FOR CURRENT REV SEE STRIP DRW aktuelle Rev.siehe Streifenzeichnung |
| | | 160526-4 | TINPLATED | CuSn4 F56 | 925603-4 | |
| | | 5-160526-8 | PLAIN | CuSn4 F56 | 925603-3 | |
| | | 5-160526-7 | TINPLATED | CuZn30 F53 | 925603-2 | |
| | | 5-160526-6 | PLAIN | CuZn30 F53 | 925603-1 | |

THIS DRAWING IS A CONTROLLED DOCUMENT FOR TYCO ELECTRONICS CORPORATION IT IS SUBJECT TO CHANGE AND THE CONTROLLING ENGINEERING ORGANIZATION SHOULD BE CONTACTED FOR THE LATEST REVISION.

| | | | | |
|------------------|---|--|---|-----------------|
| DIMENSIONS: mm | TOLERANCES UNLESS OTHERWISE SPECIFIED: 0 PLC ± 1 PLC ± ±0.25 2 PLC ± ± 3 PLC ± ± 4 PLC ± ± ANGLES ±1.5° | DWN Abraham.G. 07JUL2008 CHK Goepfel.C. 07JUL2008 APVD Bleicher.M. 08JUL2008 | Tyco Electronics AMP GmbH 64625 Bensheim (Germany) | |
| MATERIAL - | FINISH - | PRODUCT SPEC - | NAME FASTIN-ON REC. .250 SERIES Fastin -on Flachsteckhuelse Ser. 6.3 | |
| | | APPLICATION SPEC - | SIZE A3 | CAGE CODE 00779 |
| | | WEIGHT - | DRAWING NO. C-925603 | RESTRICTED TO - |
| CUSTOMER DRAWING | | | SCALE - | SHEET 1 OF 1 |