

Fig. 1

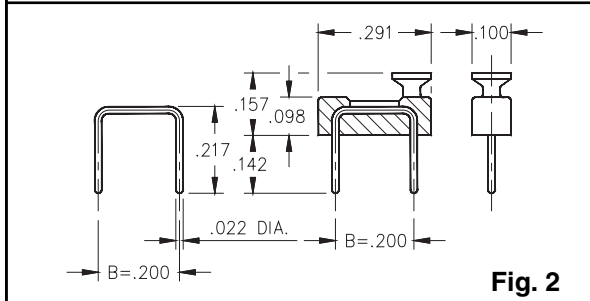


Fig. 2

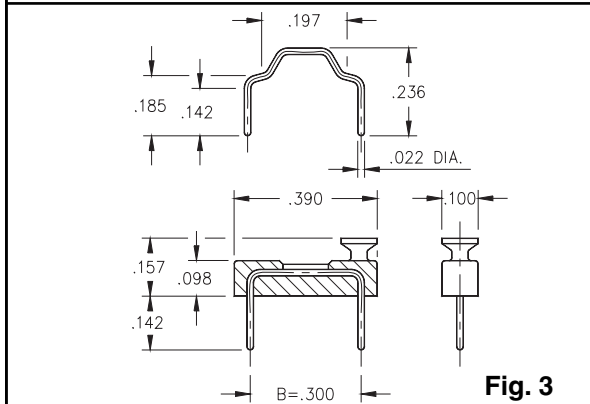
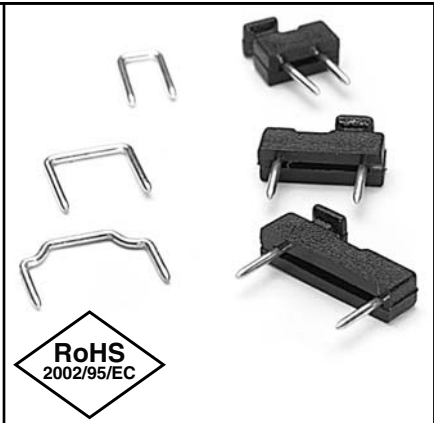


Fig. 3

- Male shorting jumpers are available with or without insulator and have .022" diameter pins with .100", .200" or .300" center spacing.
- Insulator materials are not high temperature.

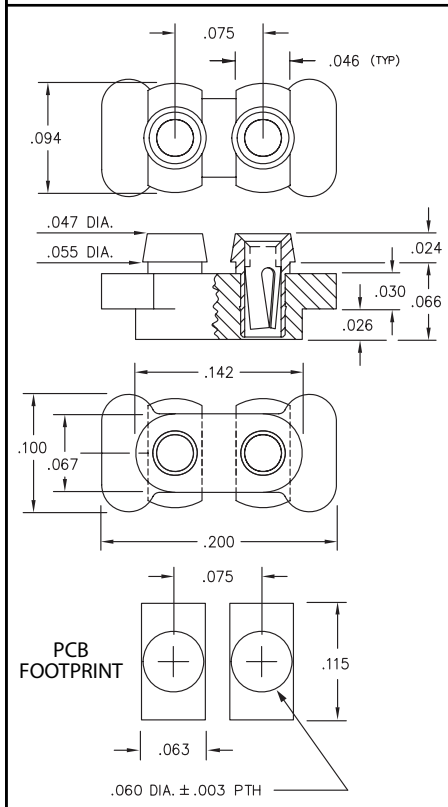
For Electrical,  
Mechanical & Environmental  
Data, See pg. 4



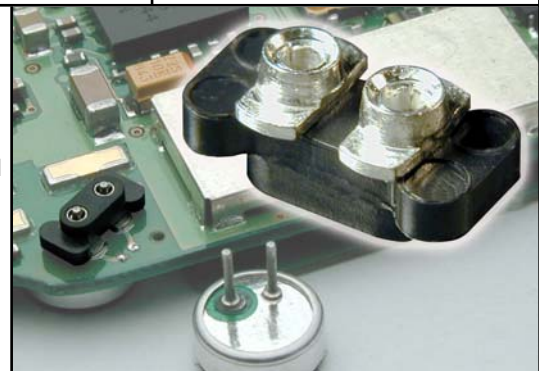
RoHS  
2002/95/EC

Ordering Information

|        |                                    |                      |
|--------|------------------------------------|----------------------|
| Fig. 1 | Male Shorting Jumper .100" Spacing |                      |
|        | Color / Style                      | Plating 10μ" Au ◇    |
|        | Black                              | 999-11-210-10-000000 |
|        | Not Insulated                      | 999-11-110-10-000000 |
| Fig. 2 | Male Shorting Jumper .200" Spacing |                      |
|        | Color / Style                      | Plating 10μ" Au ◇    |
|        | Black                              | 999-11-220-10-000000 |
|        | Not Insulated                      | 999-11-112-10-000000 |
| Fig. 3 | Male Shorting Jumper .300" Spacing |                      |
|        | Color / Style                      | Plating 10μ" Au ◇    |
|        | Black                              | 999-11-230-10-000000 |
|        | Not Insulated                      | 999-11-113-10-000000 |



- Series 388 microphone socket is a bottom entry socket for microphones having Ø.018" pins on .075" centers.
- Designed to be surface mount and intrusive reflow soldered.
- Insulator is high temp. Nylon 46, rated UL 94 V-0.
- Series 388 use MM #8874 pins. See page 130 for details.



Microphone Socket

Ordering Information

XX=Plating Code  
See Below

388-XX-102-11-740800 (Discrete socket)

Plating Code

388-XX-102-11-740799

(Supplied on 12mm wide carrier tape per EIA-481: 6,500 per 13" reel)

|                          |  |  |             |  |          |
|--------------------------|--|--|-------------|--|----------|
| SPECIFY PLATING CODE XX= |  |  | 99          |  | 44 ◇     |
| Sleeve (Pin)             |  |  | 200μ" Sn/Pb |  | 200μ" Sn |
| Contact (Clip)           |  |  | 200μ" Sn/Pb |  | 200μ" Sn |