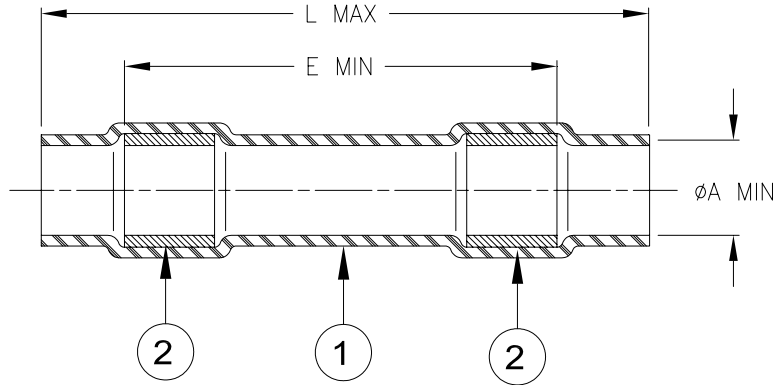


## SPECIFICATION CONTROL DRAWING



Product Name	Prod. Rev.	Product Dimensions			Wire Dimensions		Color
		L max	E min	ØA min	ØD		
					min	max	
D-436-0096	Q	29.2 (1.150)	24.15 (0.950)	2.16 (0.085)	0.63 (0.025)	2.16 (0.085)	Red
D-436-0097	S	29.2 (1.150)	24.15 (0.950)	2.80 (0.110)	0.63 (0.025)	2.80 (0.110)	Blue
D-436-0098	D	29.2 (1.150)	24.15 (0.950)	4.32 (0.170)	0.63 (0.025)	4.32 (0.170)	Yellow

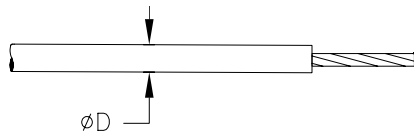
### MATERIALS

1. INSULATION SLEEVE: Heat-shrinkable, transparent blue, radiation cross-linked modified polyvinylidene fluoride.
2. SEALING RINGS: Immersion resistant thermoplastic. Color: one clear, one color coded (see table).

### APPLICATION

1. These parts are designed to provide an immersion resistant seal on 1 to 1 splices made of wires having an insulation rated for at least +135°C.
2. Temperature range: -55°C to +150°C.
3. Parts may be installed by convection heating.

Wire dimension:



<b>tyco</b> <i>Electronics</i>		Tyco Electronics Corporation 300 Constitution Drive, Menlo Park, CA. 94025, U.S.A.		<i>Raychem</i>		TITLE: <b>SEALING SLEEVE</b>	
Unless otherwise specified dimensions are in millimeters. [Inches dimensions are shown in brackets]				DOCUMENT NO.: <b>D-436-0096/-0098</b>			
TOLERANCES: 0.00 N/A 0.0 N/A 0 N/A		ANGLES: N/A ROUGHNESS IN MICRON		Tyco Electronics reserves the right to amend this drawing at any time. Users should evaluate the suitability of the product for their application.		PROD. REV.: SEE TABLE	
PREPARED BY: mforonda		DCR NUMBER: D050379		REPLACES: D981035		DOC. ISSUE: 3	
				CAGE CODE : 06090		DATE: 8-Sep-05	
				SCALE: ---		SIZE: A	
						SHEET: 1 of 1	

© 2005 Tyco Electronics Corporation. All rights reserved.

If this document is printed it becomes uncontrolled. Check for the latest revision.