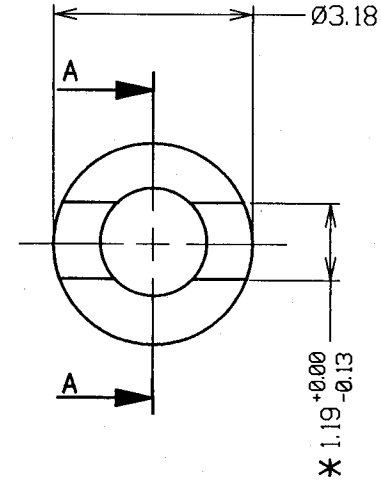


SECTION A-A



13	11.10.99	5007
12	19.12.88	1384
11	22.05.86	982
10	20.11.78	REDRAWN
ISS.	DATE	C/NOTE
APPROVED: <i>[Signature]</i>		
CHECKED: <i>[Signature]</i>		
DRAWN: J. KEIR		
CUSTOMER REF.:		
ASSEMBLY DRG:		

- NOTES:
1. ALL DIMENSIONS MARKED * TO APPLY AFTER PLATING.
 2. TO BE ANNEALED BEFORE PLATING.

HARWIN

HARWIN INC
U.S.A.
TEL: (812) 285 0055
FAX: (812) 285 0056

HARWIN PLC
U.K.
TEL: 01705 370451
FAX: 01705 314590

HARWIN PTE
SINGAPORE
TEL: 65 7794909
FAX: 65 7793868

THIS DRAWING AND ANY INFORMATION OR DESCRIPTIVE MATTER SET OUT HEREON ARE CONFIDENTIAL AND COPYRIGHT PROPERTY OF THE HARWIN GROUP AND MUST NOT BE DISCLOSED, LOANED, COPIED OR USED FOR MANUFACTURING, TENDERING OR FOR ANY OTHER PURPOSE WITHOUT THEIR WRITTEN PERMISSION.

TOLERANCES
X. = ±1mm
X.X = ±0.25mm
X.XX = ±0.10mm
X.XXX = ±0.01mm
ANGLES = ±1°
UNLESS STATED

MATERIAL:
BRASS C2124 1/2 HARD
TO BS2874 (BRM1017)
FINISH: F0101 (TIN)
S/AREA: 137.89 mm²

TITLE:
TERMINAL LUG
DRAWING NUMBER:
H2055-01