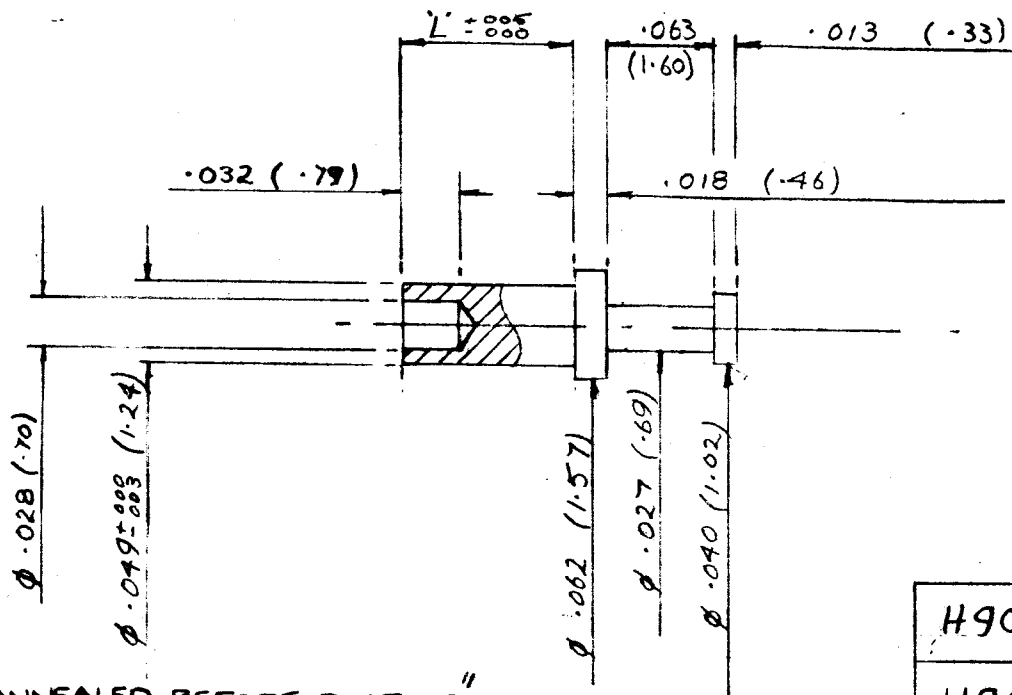


**DRAWING NUMBER**  
**H9001-XX**  
**H9003-XX**



**THIRD ANGLE PROJECTION**

**DO NOT SCALE**



**CAMBION REF.**  
**H9001-01** — 160-2085-02  
**H9002-01** — 160-2085-03  
**H9003-01** — 160-2085-04

**FINISH F0101** 99/10 TIN LEAD -01  
**F0901** SILVER -09

14	16.10.91	1896
13	2/5/86	982
12	6.4.81	607
11	10.7.79	527
10	16.11.77	WAS M01314
4	2.6.75	321
3	18.9.72	.081

NOTE: TO BE ANNEALED BEFORE PLATING.

H9003-XX	.145	3.68
H9002-XX	.113	2.87
H9001-XX	.082	2.08
PART NO	INS	MM
DIMENSION $L'_{max}$		0.000

<b>ISS. DATE CHANGE</b>
<b>APPD.</b> <i>[Signature]</i>
<b>CHKD.</b> <i>[Signature]</i>
<b>DRAWN</b> <i>[Signature]</i>
<b>QED REF.</b>
H 9001 - J
<b>ASSY. DRAWING</b>

H9001-XX	22.371	3.54	P4
DRG. N°	S/AREA mm <sup>2</sup>	CAM. NO.	MACH. NO.
D4 1032			ESCONATIC

**HARWIN ENGINEERS S.A.**  
**PORTSMOUTH PO6 IRT**

**MATERIAL** BRASS BS2874 CZ121 (BRM1037)  
**TITLE** TERMINAL LUG

**FINISH** SEE ABOVE  
**TOLERANCES**  
**FRAC. ± 1/64 DEC ± .005 MM ±**  
**DIMS. IN INS ± MM. / SCALE 10:1**

**DRAWING NUMBER**  
**H9001-XX**  
**H9003-XX**