

Customer Information Sheet

DRAWING No.: M22-302XX00 SHEET 2 OF 2 IF IN DOUBT - ASK (C) NOT TO SCALE THIRD ANGLE PROJECTION ALL DIMENSIONS IN mm

NOTES:

1. TO BE USED WITH CRIMP CONTACTS M22-30400XX (REELED) OR M22-30500XX (LOOSE).
2. ALL TOLERANCES ARE ± 0.20 UNLESS OTHERWISE STATED.

SPECIFICATION:

MATERIAL

MOULDING = NYLON 66 UL94V-2, BLACK

ELECTRICAL:

CURRENT RATING = 2A

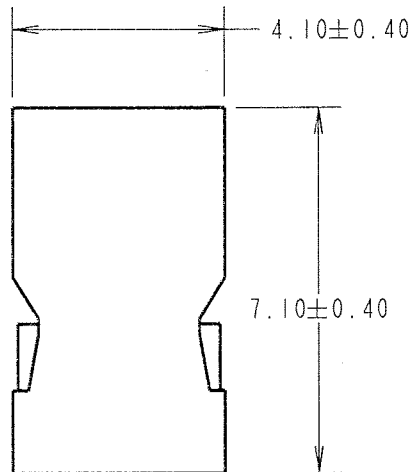
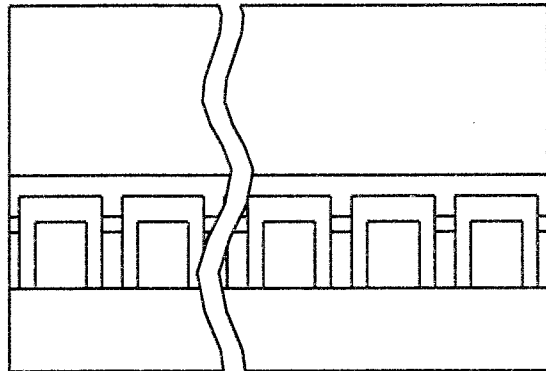
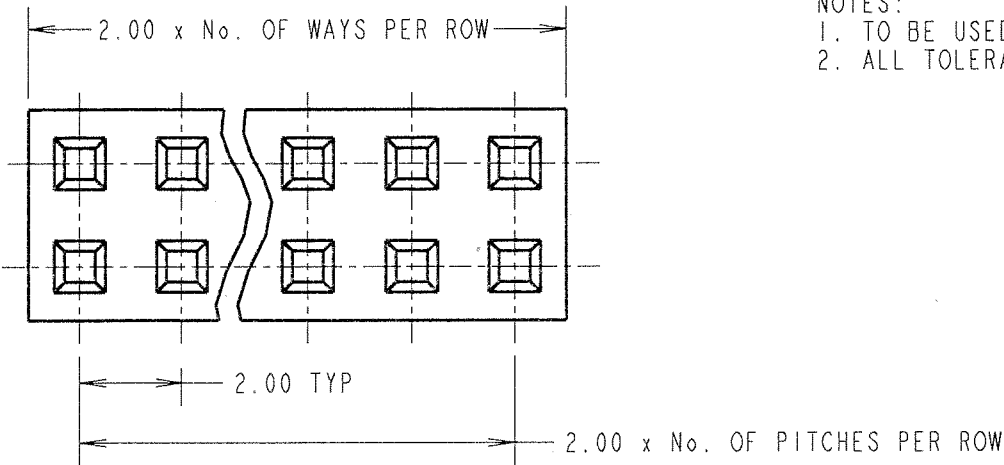
CONTACT RESISTANCE (INITIAL) = 10 MILLIOHMS MAX

CONTACT RESISTANCE (AFTER CONDITIONING) = 20 MILLIOHMS MAX

INSULATION RESISTANCE = 5000 MEGOHMS MIN

ENVIRONMENTAL:

OPERATING TEMPERATURE = -40°C TO $+105^{\circ}\text{C}$



JMB	9	16.09.05	8741
NAME	ISS.	DATE	C/NOTE
APPROVED: <i>[Signature]</i>			
CHECKED: <i>[Signature]</i>			
DRAWN: A. LIOTTA			
CUSTOMER REF.:			
ASSEMBLY DRG:			

ORDER CODE:

M22-302XX00

No. OF WAYS PER ROW:

HARWIN

THIS DRAWING AND ANY INFORMATION OR DESCRIPTIVE MATTER SET OUT HEREON ARE CONFIDENTIAL AND COPYRIGHT PROPERTY OF THE HARWIN GROUP AND MUST NOT BE DISCLOSED, LOANED, COPIED OR USED FOR MANUFACTURING, TENDERING OR FOR ANY OTHER PURPOSE WITHOUT THEIR WRITTEN PERMISSION.

TOLERANCES
~~X = $\pm 1\text{mm}$~~
~~X.X = $\pm 0.25\text{mm}$~~
~~X.XX = $\pm 0.10\text{mm}$~~
~~X.XXX = $\pm 0.01\text{mm}$~~
 ANGLES = $\pm 5^{\circ}$
 UNLESS STATED

MATERIAL:

SEE ABOVE

FINISH:

SEE ABOVE

S/AREA:

mm²

TITLE:

2.00mm DIL CRIMP SOCKET HOUSING

DRAWING NUMBER:

M22-302XX00

SHT

2 OF 2

HARWIN INC
U.S.A.

TEL: (812) 542 2540
FAX: (812) 542 2541

HARWIN PLC
U.K.

TEL: 023 9231 4545
FAX: 023 9231 4590

HARWIN PTE
SINGAPORE

TEL: 65 6779 4909
FAX: 65 6779 3868