

Customer Information Sheet

DRAWING No.: M80-459XX98 SHT 2 OF 2

IF IN DOUBT - ASK

©

NOT TO SCALE

THIRD ANGLE PROJECTION

ALL DIMENSIONS IN mm

SPECIFICATION:

MATERIAL:
 HOUSING = GLASS-FILLED POLYAMIDE 46,
 UL94V-0, BLACK
 IOILOK SCREW, COLLAR = STAINLESS STEEL
 SPRING = MUSIC WIRE

FINISH:
 SPRING = TIN COATED

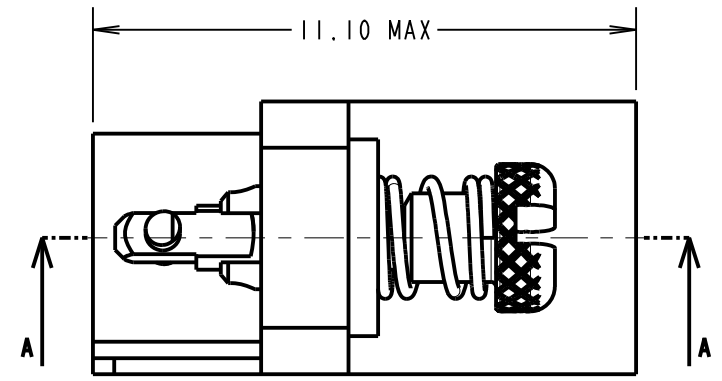
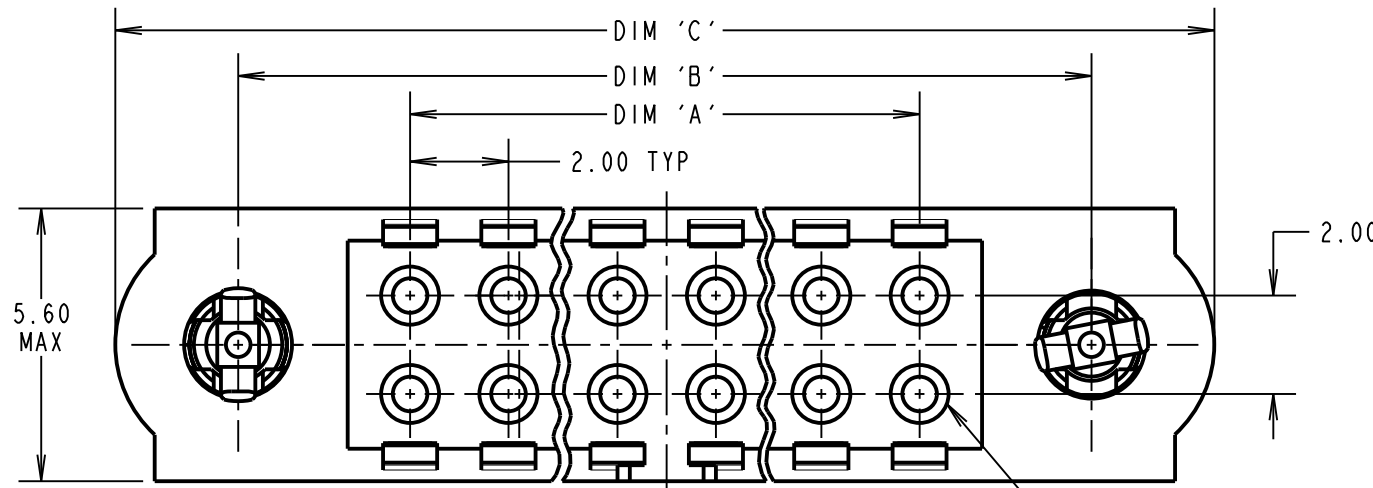
ELECTRICAL:
 CURRENT RATING AT 25°C = 3.0A MAX
 CURRENT RATING AT 85°C = 2.2A MAX
 WORKING VOLTAGE = 120V AC/DC
 VOLTAGE PROOF = 360V AC/DC
 CONTACT RESISTANCE = 25 mΩ MAX
 INSULATION RESISTANCE = 100 MΩ MIN

MECHANICAL:
 DURABILITY = 400 OPERATIONS
 INSERTION FORCE = 2.8N MAX
 WITHDRAWAL FORCE = 0.2N MIN

ENVIRONMENTAL:
 TEMPERATURE RANGE = -55°C TO +125°C

PACKING:
 BAG

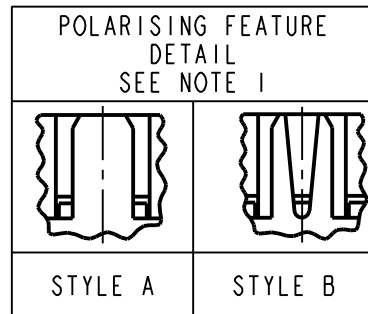
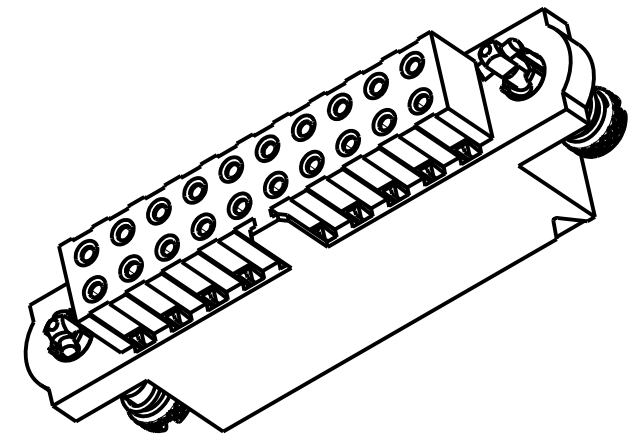
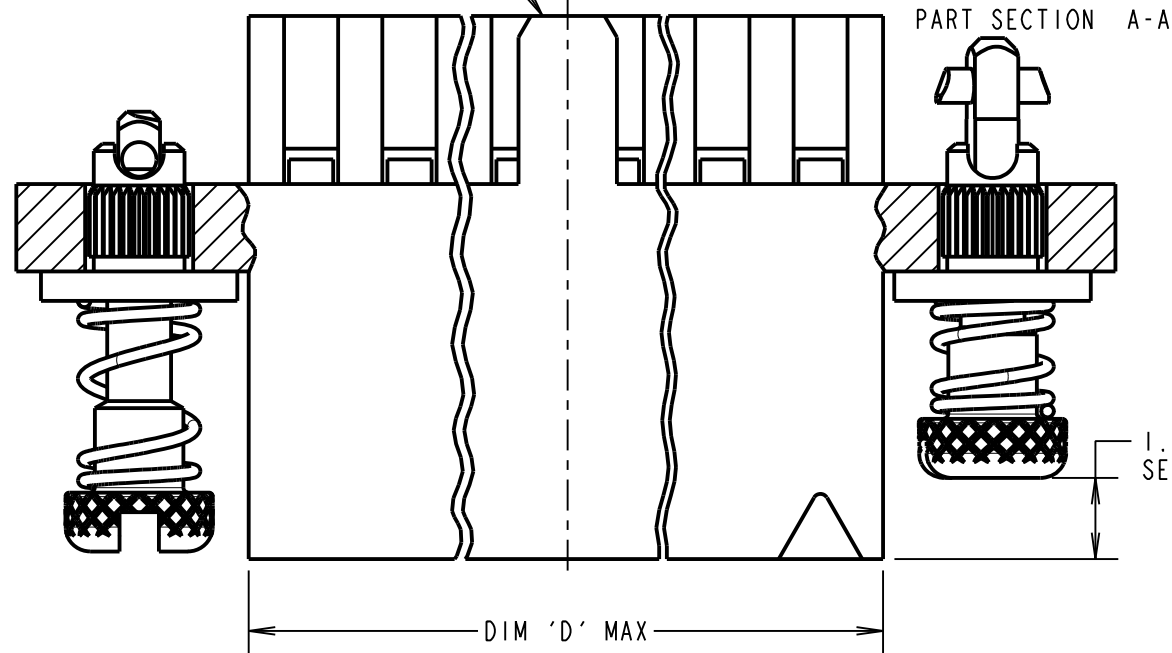
FOR COMPLETE SPECIFICATION,
 SEE COMPONENT SPECIFICATION
 C040XX (LATEST ISSUE)



CONTACT
 POSITION No. 1

- NOTES:**
1. POLARISING FEATURE STYLE DEPENDANT ON NUMBER OF CONTACT POSITIONS.
 2. HOUSING TO BE USED WITH DATAMATE TRIO-TEK CRIMP CONTACTS:
 M80-25300XX = 24-22 AWG REELED
 M80-25400XX = 28-26 AWG REELED
 M80-28300XX = 24-22 AWG LOOSE
 M80-28400XX = 28-26 AWG LOOSE
 3. THE SPECIFICATION APPLIES WHEN HOUSING IS USED WITH THE ABOVE CONTACTS.
 4. CONTACT EXTRACTION TOOL = Z80-258.
 5. INSTRUCTION SHEETS ARE AVAILABLE.
 6. SPRING LOAD WHEN SOLID = 2.64N.
 SPRING RATE = 1.32N/mm.
 7. LENGTH WILL BE 1.7mm WHEN IOI-SCREWS ARE ENGAGED WITH RETAINERS IN MATING CONNECTOR.

POLARISING FEATURE
 SEE DETAIL



ORDER CODE:
M80-459XX98

TOTAL No. OF
 CONTACT POSITIONS _____
 04 TO 50 (EVEN NUMBERS ONLY)

PLEASE CONTACT
 datamate@harwin.com
 FOR CURRENT AVAILABILITY

SM	2	04.08.10	10890
NAME	ISS.	DATE	C/NOTE
APPROVED: S. MCCULLAGH			
CHECKED: R. ADDE			
DRAWN: S.FLOWER			
CUSTOMER REF.:			
ASSEMBLY DRG:			

DIMENSION	CALCULATION
DIM 'A'	TOTAL No. OF CONTACT POSITIONS - 2
DIM 'B'	TOTAL No. OF CONTACT POSITIONS + 5
DIM 'C'	TOTAL No. OF CONTACT POSITIONS + 10
DIM 'D'	TOTAL No. OF CONTACT POSITIONS + 0.59

EXAMPLE: CONNECTOR WITH 20 CONTACT POSITIONS, M80-4592098
 DIM 'A' = 18.00mm, DIM 'B' = 25.00mm, DIM 'C' = 30.00mm

HARWIN

HARWIN USA
 TEL: 603 893 5376
 FAX: 603 893 5396
 mis@harwin.com

HARWIN Europe (UK)
 TEL: 023 9231 4545
 FAX: 023 9231 4590
 mis@harwin.co.uk

HARWIN Asia
 TEL: +65 6 779 4909
 FAX: +65 6 779 3868
 mis@harwin.com.sg

THIS DRAWING AND ANY
 INFORMATION OR DESCRIPTIVE
 MATTER SET OUT HEREON ARE
 CONFIDENTIAL AND COPYRIGHT
 PROPERTY OF THE HARWIN
 GROUP AND MUST NOT BE
 DISCLOSED, LOANED, COPIED
 OR USED FOR MANUFACTURING,
 TENDERING OR FOR ANY
 OTHER PURPOSE WITHOUT
 THEIR WRITTEN PERMISSION.

TOLERANCES
 X. = ±1mm
 X.X = ±0.25mm
 X.XX = ±0.10mm
 X.XXX = ±0.01mm
 ANGLES = ±5°
 UNLESS STATED

MATERIAL:
 SEE ABOVE

FINISH:

S/AREA: mm²

TITLE: DATAMATE TRIO-TEK
 FEMALE CRIMP HOUSING
 WITH IOILOK JACKSCREWS

DRAWING NUMBER:
M80-459XX98

SHT
 2 OF 2