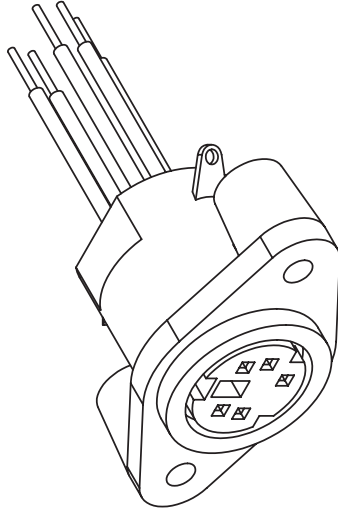
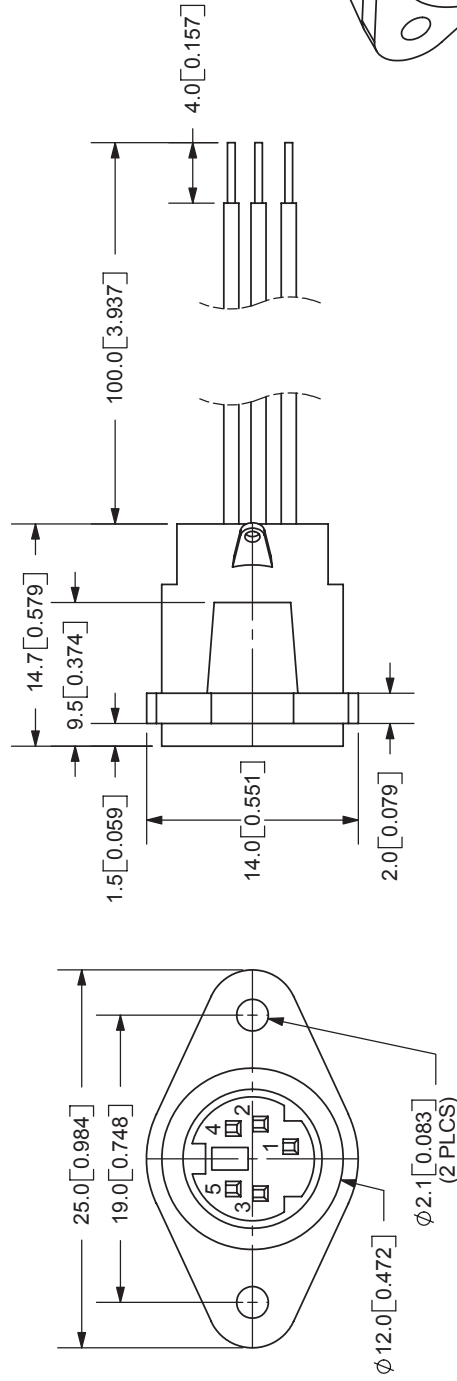


REV.	DESCRIPTION	DATE
A	NEW DRAWING	12/12/2005



TOLERANCE:  
±0.2mm

5	BROWN
4	BLACK
3	GREEN
2	YELLOW
1	RED

**SPECIFICATIONS:**  
 RATING: 12V DC @ 2A; 100V AC @ 1A  
 INSULATION RESISTANCE: 50M OHMS MIN; 250V DC  
 VOLTAGE WITHSTAND: 250V AC R.M.S. FOR 1 MINUTE  
 CONTACT RESISTANCE: 30m OHMS MAX  
 INSERTION FORCE: 4.5KG MAX  
 WITHDRAWAL FORCE: 0.8KG~3.0KG  
 LIFE: 5,000 CYCLES  
 OPERATING TEMP: -40° ~ +85°C



20050 SW 112th Ave.  
 Tualatin, OR 97062  
 Phone: 503-643-4899  
 800-275-4899  
 Fax: 503-372-1266  
 Website: www.cui.com

TITLE:	MINI-DIN RECEPTACLE, PANEL MT, 5P	REV:	A
PART NO:	MD-50PL100	UNITS:	MM [INCHES]
DRAWN BY:	ZRJ	APPROVED BY:	
		SCALE:	2:1

TERMINAL 1	MATERIAL	PLATING
TERMINAL 1	Brass	Tin
TERMINAL 2	Phosphor Bronze	Tin
WIRE	AWG #26	
HOUSING	PBT	

PC FILE NAME:  
MD-50PL100

COPYRIGHT 2006 BY CUI INC.