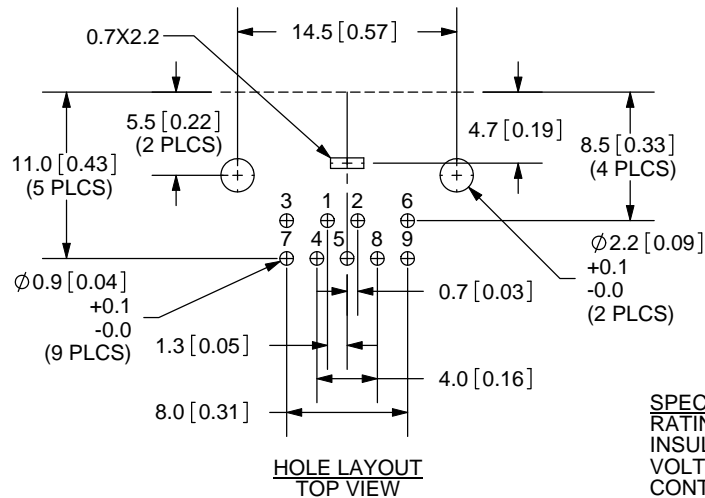
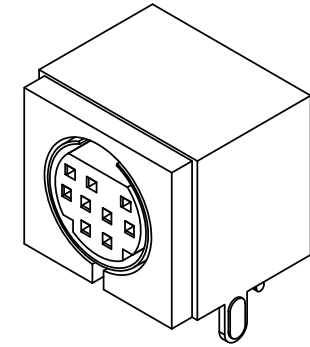
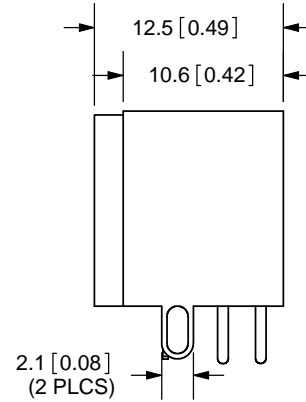
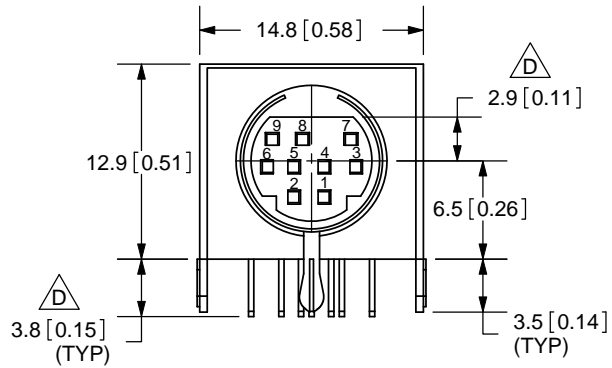


REV.	DESCRIPTION	DATE
B	added pin numbers	7/23/2007
C	corrected pin numbering	8/30/2007
D	misc part updates	5/5/2010



**SPECIFICATIONS:**  
 RATING: 12V DC @ 2A; 100V AC @ 1A  
 INSULATION RESISTANCE: 50M OHMS MIN; 250V DC  
 VOLTAGE WITHSTAND: 250V AC R.M.S. FOR 1 MINUTE  
 CONTACT RESISTANCE: 30m OHMS MAX  
 INSERTION FORCE: 5KG MAX  
 WITHDRAWAL FORCE: 0.8KG~3.5KG  
 LIFE: 5,000 CYCLES

TOLERANCE:  
 ±0.2mm UNLESS OTHERWISE  
 SPECIFIED



20050 SW 112th Ave.  
 Tualatin, OR 97062  
 Phone: 503-612-2300  
 800-275-4899  
 Fax: 503-612-2383  
 Website: www.cui.com

	MATERIAL	PLATING	TITLE: MINIATURE CIRCULAR DIN CONNECTOR	REV: D
SHIELDING PLATE	Steel	Tin	PART NO. MD-90SM	UNITS: MM [INCHES]
CONTACTOR	Phosphor Bronze	Silver		
TERMINAL	Brass	Tin	DRAWN BY: ZRJ	APPROVED BY:
HOUSING	PBT			

PC FILE NAME:  
 MD-90SM

COPYRIGHT 2010 BY CUI INC.