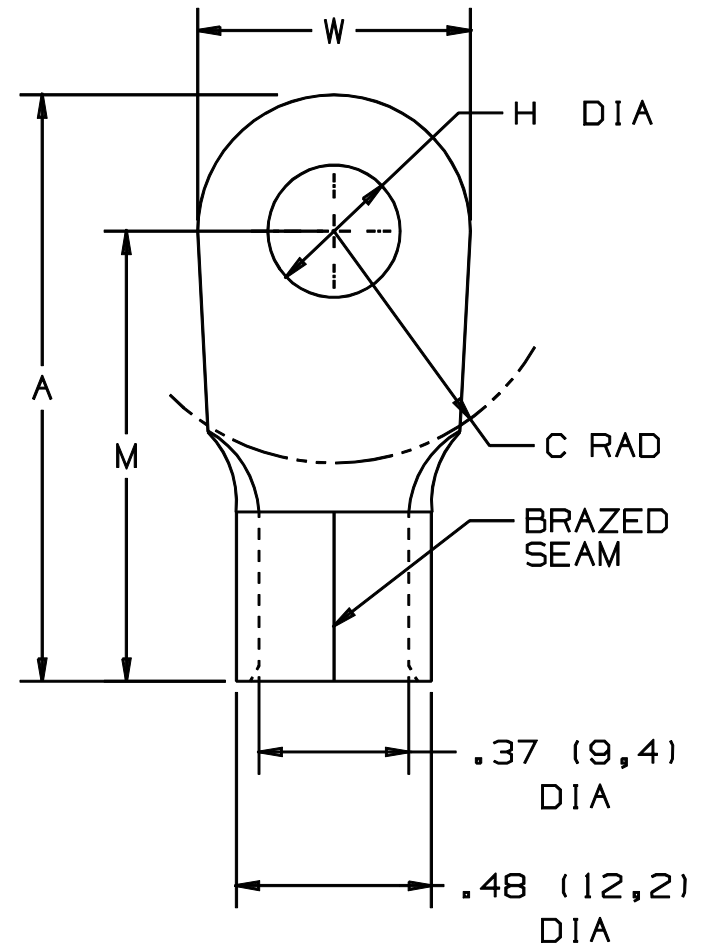


THIS COPY IS PROVIDED ON A RESTRICTED BASIS AND IS NOT TO BE USED IN ANY WAY DETRIMENTAL TO THE INTERESTS OF PANDUIT CORP.

| PANDUIT PART NUMBER | PKG. | STUD SIZE | DIMENSIONS in. | | | | |
|---------------------|----------|-----------|----------------|---------------|---------------|----------------|---------------|
| | | | A $\pm .03$ | W $\pm .01$ | C $\pm .02$ | M $\pm .03$ | H $\pm .01$ |
| P2-10R | -X -T | #10 | 1.46 (37,1) | .68 (17,3) | .58 (14,7) | 1.12 (28,5) | .20 (5,1) |
| P2-14R | -X -T | 1/4" | 1.46 (37,1) | .68 (17,3) | .58 (14,7) | 1.12 (28,5) | .27 (6,9) |
| P2-56R | -X -T | 5/16" | 1.46 (37,1) | .68 (17,3) | .58 (14,7) | 1.12 (28,5) | .33 (8,4) |
| P2-38R | -X -T | 3/8" | 1.46 (37,1) | .68 (17,3) | .58 (14,7) | 1.12 (28,5) | .39 (9,9) |
| P2-12R * | -X -T | 1/2" | 1.55 (39,4) | .86 (21,8) | .58 (14,7) | 1.12 (28,5) | .52 (13,2) |



NOTES:

- UL LISTED AND CERTIFIED FOR:
A. 347° F (175° C) MAX OPERATING TEMP
B. #2 AWG STRANDED COPPER WIRE
- PACKAGE QTY: STD. PKG. -X=10
BULK PKG. -T=200
- MATERIAL: .060" (1,52) THK COPPER, TIN PLATED
- DIMENSIONS IN BRACKETS ARE IN MILLIMETERS
- INSTALLATION TOOL: CT-700 (OBSOLETE), CT-1701
- WIRE STRIP LENGTH: 7/16 $\pm 1/32$ (11,11 $\pm .8$)



LISTED
587H
E52164



CERTIFIED
LR31212

* P2-12R NOT CSA CERTIFIED

A41212_03

| | | | | | | | | | | | |
|-----|-------|-----|-----|--|-------|------|------|-----------------|--------------|-------------------------------------|-----------------------|
| 03 | 3/01 | EJS | | ADDED PACKAGE CODE TO CHART, ADDED CT-1701, ADDED "OBSOLETE" TO NOTE 5, FILE SPEC WAS N41212AA_PCD_02, METRIC DIM. WERE 2 PLACES | | | | | | PANDUIT CORP. | TINLEY PARK, ILLINOIS |
| 02 | 11/94 | TH | RLS | UPDATED NOTES AND DIMENSIONS | 02669 | LA | TFKE | | | #2 BARREL NON-INSULATED RING TONGUE | |
| 1 | 7-88 | DW | | REDRAWN WITH REVISIONS | | | | | | | |
| REV | DATE | BY | CHK | DESCRIPTION | ECN # | CUST | PM | DRAWN BY DAW | CHK'D RLS | SCALE NONE | DRAWING NO. A41212 |