

PANDUIT PART NUMBER	PK	MILITARY PART NO. AND CLASS	STUD SIZE	DIMENSIONS in.				
				A ±.03	W ±.01	C ±.02	M ±.03	H ±.01
PNF14-4R	-C -M	MS25036-152 CLASS 1 & 2	#4	.78 (19.81)	.25 (6.35)	.18 (4.57)	.66 (16.76)	.12 (3.05)
PNF14-6RN	-C -M	MS25036-106 CLASS 1 & 2	#6	.78 (19.81)	.25 (6.35)	.18 (4.57)	.63 (16.00)	.15 (3.81)
PNF14-6R	-C -M	MS25036-107 CLASS 1 & 2	#6	.87 (22.10)	.31 (7.87)	.24 (6.10)	.71 (18.03)	.15 (3.81)
PNF14-8R	-C -M	MS25036-153 CLASS 1 & 2	#8	.87 (22.10)	.31 (7.87)	.25 (6.35)	.71 (18.03)	.17 (4.32)
PNF14-10R	-C -M	MS25036-108 CLASS 1 & 2	#10	.85 (21.59)	.31 (7.87)	.29 (7.37)	.71 (18.03)	.20 (5.08)
PNF14-14R	-C -M	MS25036-154 CLASS 1 & 2	1/4"	1.06 (26.92)	.46 (11.68)	.40 (10.16)	.85 (21.59)	.27 (6.86)
PNF14-56R	-C -M	MS25036-109 CLASS 1 & 2	5/16"	1.06 (26.92)	.46 (11.68)	.40 (10.16)	.85 (21.59)	.34 (8.64)
PNF14-38R	-L -M	MS25036-110 CLASS 1 & 2	3/8"	1.14 (28.96)	.53 (13.46)	.45 (11.43)	.89 (22.61)	.40 (10.16)

NOTES:

- UL LISTED AND CSA CERTIFIED FOR:
 - 600V. MAX. BLDG. WIRE (1000V. MAX. IN SIGNS, FIXTURES & LUMINARIES)
 - 221°F. (105°C) MAX. TEMP. RATING
 - #18-14 AWG SOLID OR STRANDED COPPER WIRE WITH THE CT-550, CT-500, CT-1550, CT-1551, CT-460 (UL ONLY, AND MIL CLASS 2) INSTALLATION TOOLS
 - #16-14 AWG SOLID OR STRANDED COPPER WIRE WITH THE CT-100 AND CT-250 INSTALLATION TOOLS
- MATERIAL:
 - STAMPING- .032" (.81) THK. COPPER, TIN PLATED
 - HOUSING- NYLON, BLUE
 - SLEEVE- BRASS, TIN PLATED
- WIRE STRIP LENGTH- 7/32" +1/32, -0 (5.6, +.8, -0)
- PACKAGE QUANTITY: -L = 50, -D = 500, -M = 1000
- DIMENSIONS IN PARENTHESIS ARE IN MILLIMETERS

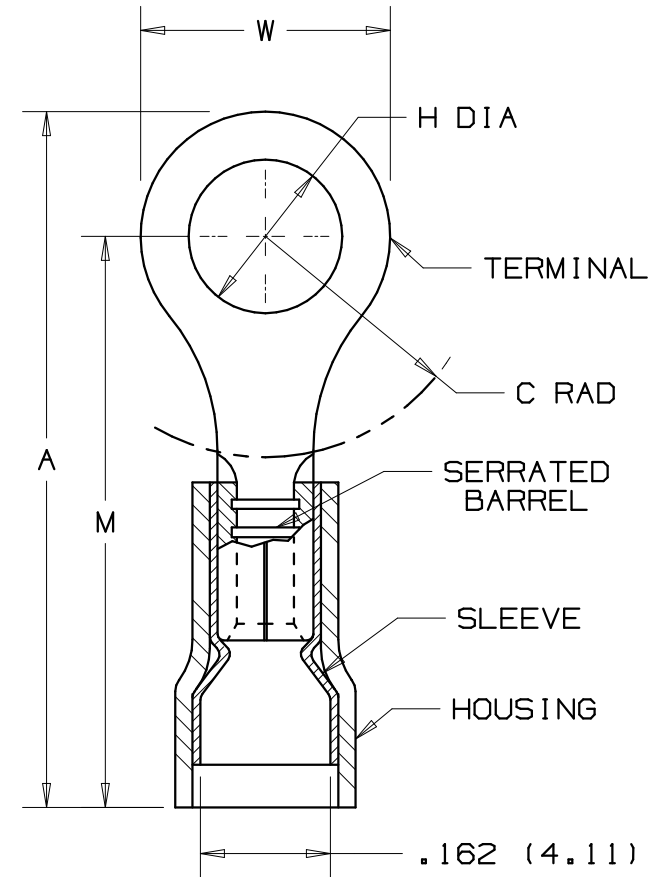
Panduit part numbers shown on this drawing meet the material requirements of RoHS (EUROPEAN DIRECTIVES 2002/95/EC) as proposed by the Technical Adaptation Committee.



LISTED
587H
E52164



CERTIFIED
LR31212



.162 (4.11)
MAX. WIRE
INSUL. DIA.
.080 (2.03)
MIN. WIRE
INSUL. DIA.

A41276_05

05	8/06	DAW	DAW	ADDED MILITARY PART NO. & CLASS	TR00155	LCA	TRO	TINLEY PARK, ILLINOIS #16-14 BARREL NYLON INSULATED, FUNNELED WIRE ENTRY RING TONGUE, .162 (4.11) MAX. WIRE INSULATION DIAMETER
04	1/01	RM	SKB	FILESPEC WAS N41276AA_PCD_03	08933	JAC	CCH	
03	12/96	JAMB		ADDED DIM., "MIN. WIRE INSUL. DIA." UPDATE NOTES	05384			
02	1/95	MS	RLS	UPDATED NOTES AND DIMENSIONS	02949	LA	TKLE	
REV	DATE	BY	CHK	DESCRIPTION	ECN #	CUST	PM	
		DAW	RLS					DRAWN BY: DAW CHK'D: RLS SCALE: NONE DRAWING NO.: A41276