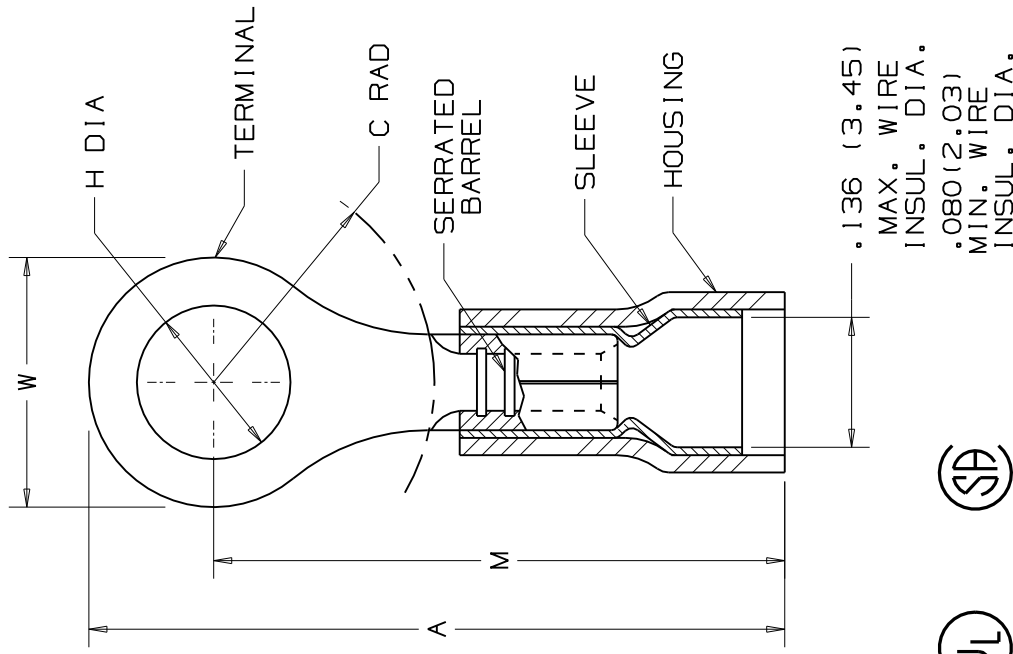


PANDUIT PART NUMBER	MILITARY PART NO. AND CLASS	STUD SIZE	DIMENSIONS in.				
			A ^{+0.03}	W ^{+0.01}	C ^{+0.02}	M ^{+0.03}	H ^{+0.01}
PNF 18-4R	-----	#4	.77 (19.56)	.25 (6.35)	.20 (5.08)	.65 (16.51)	.12 (3.05)
**PNF 18-4RN ⁶	M525036-148 CLASS 1 & 2	#4	.73 (18.54)	.22 (5.59)	.19 (4.83)	.63 (16.00)	.12 (3.05)
PNF 18-6R	M525036-102 CLASS 1 & 2	#6	.77 (19.56)	.25 (6.35)	.20 (5.08)	.65 (16.51)	.15 (3.81)
PNF 18-6RN	M525036-101 CLASS 1 & 2	#6	.76 (19.30)	.22 (5.59)	.18 (4.57)	.63 (16.00)	.15 (3.81)
PNF 18-8R	M525036-149 CLASS 1 & 2	#8	.87 (22.10)	.31 (7.87)	.24 (6.10)	.72 (18.29)	.17 (4.32)
PNF 18-10R	M525036-103 CLASS 1 & 2	#10	.87 (22.10)	.32 (8.13)	.25 (6.35)	.72 (18.29)	.20 (5.08)
PNF 18-14R	M525036-150 CLASS 1 & 2	1/4"	1.08 (27.43)	.46 (11.68)	.38 (9.65)	.85 (21.59)	.27 (6.86)
PNF 18-56R	M525036-104 CLASS 1 & 2	5/16"	1.08 (27.43)	.46 (11.68)	.39 (9.91)	.85 (21.59)	.34 (8.64)
PNF 18-38R	M525036-105 CLASS 1 & 2	3/8"	1.16 (29.46)	.53 (13.46)	.41 (10.41)	.90 (22.86)	.40 (10.16)

NOTES:

- 1) UL LISTED AND CSA CERTIFIED FOR:
 - A. 600V. MAX. BLDG. WIRE
 - B. 11000V. MAX. IN SIGNS, FIXTURES & LUMINARIES)
 - C. 221°F. (105°C) MAX. TEMP. RATING
- 2) MATERIAL:
 - A. STAMPING- .032" (.81) THK. COPPER, TIN PLATED
 - B. HOUSING- NYLON, RED
 - C. SLEEVE- BRASS, TIN PLATED
- 3) WIRE STRIP LENGTH- 7/32" +1/32, -0 (5.6, +.8, -0)
- 4) PACKAGE QUANTITY: -D = 500, -M = 1000
- 5) DIMENSIONS IN PARENTHESIS ARE IN MILLIMETERS
- 6) INSTALLATION TOOLS:
 - A. UL LISTED AND CSA CERTIFIED: CT-100*, CT-250*
 - CT-400, TUL, MIL CLASS 2), CT-500, CT-1550, CT-1551
 - B. PANDUIT APPROVED: CT-160*, CT-250*

Panduit part numbers shown on this drawing meet the material requirements of RoHS (EUROPEAN DIRECTIVES 2002/95/EC) as proposed by the Technical Adaptation Committee



LISTED CERTIFIED
587H LR31212
E52164

⁶ * FOR USE WITH 22-18 AWG WIRE RANGE
** NOT UL LISTED OR CSA CERTIFIED

08	5/07	BCT/BCT	CORRECTED NYLON MATERIAL COLOR TO RED	LCA	TR0				
07	8/06	DAW/DAW	ADDED MILITARY PART NUMBER & CLASS	TR00155	LCA	TR0			
06	9/02	TC/5KB	ADD P/N PNF18-4RN & NOT UL LISTED NOTE	10416	TR0	LA			
05	1/01	RM/5KB	FILESPEC WAS N41275AA_PCD_04	8933	JAC	CCH			
REV	DATE	BY/CHK	DESCRIPTION	ECN	CUST	PM	SCALE	DRAWING NO	DRAWING NO
							LM	NONE	A41275



TINLEY PARK, ILLINOIS

#22-18 BARREL NYLON INSULATED, FUNNELED WIRE ENTRY RING TONGUE, .136 (3.45) DIA. MAX. WIRE INSULATION DIAMETER