

THIS COPY IS PROVIDED ON A RESTRICTED BASIS AND IS NOT TO BE USED IN ANY WAY DETRIMENTAL TO THE INTERESTS OF PANDUIT CORP.

PANDUIT PART NUMBER	STUD SIZE	DIMENSIONS in.				
		A $\pm .03$	W $\pm .01$	C $\pm .015$	M $\pm .03$	H $\pm .01$
PV10-6RX	#6	1.10 (27.94)	.31 (7.87)	.30 (7.62)	.93 (23.62)	.15 (3.81)
PV10-8RX	#8	1.10 (27.94)	.31 (7.87)	.30 (7.62)	.93 (23.62)	.17 (4.32)
PV10-10RX	#10	1.10 (27.94)	.31 (7.87)	.30 (7.62)	.93 (23.62)	.20 (5.08)
PV10-14RX	1/4"	1.29 (32.77)	.52 (13.21)	.39 (9.91)	1.00 (25.40)	.27 (6.86)
PV10-56RX	5/16"	1.29 (32.77)	.52 (13.21)	.42 (10.67)	1.00 (25.40)	.33 (8.38)
PV10-38RX	3/8"	1.39 (35.31)	.58 (14.73)	.46 (11.68)	1.08 (27.43)	.39 (9.91)

NOTES:

1. UL LISTED AND CSA CERTIFIED FOR:

A. 600 V. MAX BLDG WIRE
(1000 V. MAX IN SIGNS, FIXTURES & LUMINAIRES),
AND 14-10 AWG SOLID OR STRANDED
COPPER WIRE, & 221°F (105°C MAX) TEMP RATING
WITH THE CT-550 INSTALLATION TOOL.

B. 300 V. MAX BLDG WIRE,
12-10 AWG SOLID OR STRANDED
COPPER WIRE, & 167°F (75°C) MAX TEMP RATING
WITH THE CT-100 & CT-250
INSTALLATION TOOLS.

2. MATERIAL:

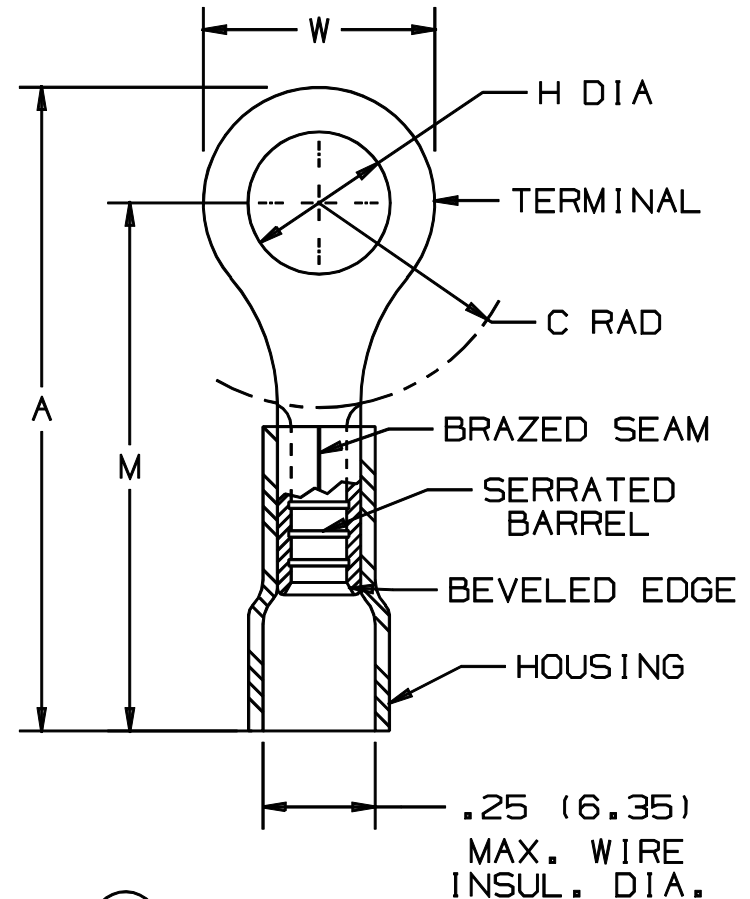
A. STAMPING - .04" (1.02) THK COPPER, TIN PLATED
B. HOUSING - VINYL, YELLOW

3. STRIP LENGTH - 5/16 $\pm 1/32$.0

4. PACKAGE QTY:

-L=50
-D=500

5. DIMENSIONS IN BRACKETS ARE IN MILLIMETERS



LISTED
587H
E52164



CERTIFIED
LR31212

A41271_04

04	1/01	RM		FILESPEC WAS N41271AA_PCD_03						<p>TINLEY PARK, ILLINOIS</p> <p>#12-10 BARREL VINYL INSULATED RING TONGUE, .250 (6.35) MAX. WIRE INSULATION DIAMETER</p>		
3	9-94	MS		WIRE TEMP. RATING (221°F) WAS 212°	02479							
2	9-94	MS	RS	REVISED DIMENSIONS AND NOTES	02476	02479	LA					
1	7-88	DW		REDRAWN WITH REVISIONS								
REV	DATE	BY	CHK	DESCRIPTION	ECN#	CUST	PM	APP	DRAWN BY DAW	CHK'D RLS	SCALE NONE	DRAWING NO. A41271