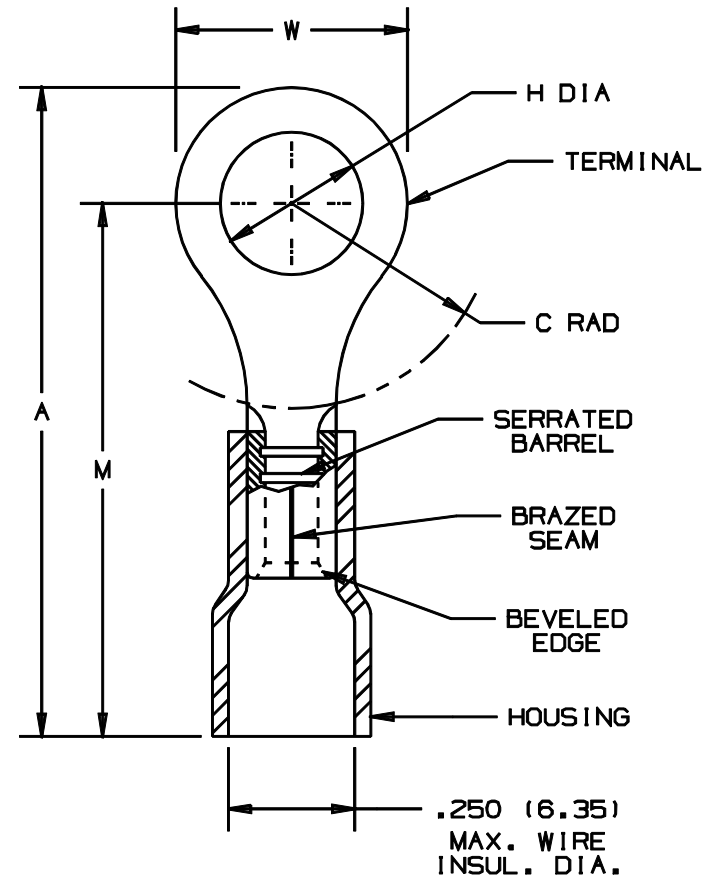


THIS COPY IS PROVIDED ON A RESTRICTED BASIS AND IS NOT TO BE USED IN ANY WAY DETRIMENTAL TO THE INTERESTS OF PANDUIT CORP.

PANDUIT PART NUMBER		STUD SIZE	DIMENSIONS in.				
PREFIX	PKG		A ±.020	W ±.010	C ±.015	M ±.020	H ±.010
PV12-6HDRX	-L -D	#6	1.05 (26.67)	.31 (7.87)	.35 (8.89)	.92 (23.37)	.15 (3.81)
PV12-8HDRX	-L -D	#8	1.05 (26.67)	.31 (7.87)	.35 (8.89)	.92 (23.37)	.17 (4.32)
PV12-10HDRX	-L -D	#10	1.08 (27.43)	.37 (9.40)	.33 (8.38)	.92 (23.37)	.20 (5.08)
PV12-14HDRX	-L -D	1/4"	1.23 (31.24)	.52 (13.21)	.42 (10.67)	1.00 (25.40)	.27 (6.86)
PV12-56HDRX	-L -D	5/16"	1.23 (31.24)	.52 (13.21)	.42 (10.67)	1.00 (25.40)	.34 (8.64)
PV12-38HDRX	-L -D	3/8"	1.31 (33.27)	.58 (14.73)	.46 (11.68)	1.02 (25.91)	.40 (10.16)

NOTES:

- UL LISTED AND CSA CERTIFIED FOR:
 - 600V. MAX. VOLTAGE RATING
 - #16-12 AWG STRANDED COPPER WIRE
 - 221° F (105° C) MAX. TEMP. RATING
- MATERIAL:
 - STAMPING - .05" (1.27) THK COPPER, TIN PLATED
 - HOUSING - VINYL, YELLOW
- PACKAGE QTY: STD. PKG. -L = 50
BULK PKG. -D = 500
- DIMENSIONS IN BRACKETS ARE IN MILLIMETERS
- INSTALLATION TOOLS:
 - UL LISTED AND CSA CERTIFIED: CT-550, CT-1550, CT-1551
 - PANDUIT APPROVED: CT-460



LISTED CERTIFIED
587H LR31212
E52164

A41282_03

03	7/01	JAMB		ADDED PACKAGING COLUMN TO TABLE. CHANGED STD PKG TO L = 50				<p>TINLEY PARK, ILLINOIS</p> <p>#16-12 BARREL VINYL INSULATED HEAVY DUTY RING TONGUE, .250 (6.35) MAX. WIRE INSULATION DIAMETER</p>
02	5/00	ED	SKB	ADDED CT-1550, CT-1551 TO NOTES	08428	TRO	JAC	
01	7-88	DW	RLS	REDRAWN WITH REVISIONS		JRB	LCA	
REV	DATE	BY	CHK	DESCRIPTION	ECN	PM	CUST	DRAWN BY: DAW CHK'D: CHA SCALE: NONE DRAWING NO.: A41282