

Current refinements (click  to remove)

[Search Tips](#) 
 Region [USA](#)  Product Family [Multiple Stud Terminal, Vinyl Insulated – Funnel Entry](#)  Text Search: 'PV14-610R-M'

**Your search criteria matched only one product, shown below.**


- Teardrop shaped mounting hole of multiple stud terminals permits use with #6, #8, or #10 size studs
- Ring tongue design assures a secure connection in high vibration applications
- Insulation support helps to prevent wire damage in bending applications
- Brazed seam protects terminal barrel from splitting during the crimp process
- UL Flammability UL 94V-0, maximum insulation temperature 221°F (105°C)
- Internal barrel serrations assure good wire contact and maximum tensile strength
- UL and CSA rated up to 600 V per UL 486

‡UL and CSA approved tooling/product combinations.

Part Number:	PV14-610R-M
RoHS Compliancy Status:	Compliant
Part Description:	Ring Terminal, 16 – 14 AWG, Multi Stud #6, #8, #10, vinyl insulated, funnel entry.
Product Type:	Terminals
CSA Certified:	Yes
UL Listed:	Yes
Length (In.):	1.00
Width (In.):	.31
Clearance:	.25
Max. Ins.:	.170
Panduit Color Code:	Blue
Stock:	.03
Stud Size:	#6, #8, #10
Tool:	CT-100A, CT-600-A‡, CT-1550‡, CT-1551‡, CT-2500‡
Wire Range:	16 – 14 AWG
Min. Order UOM:	PC
Min. Order Qty.:	1000

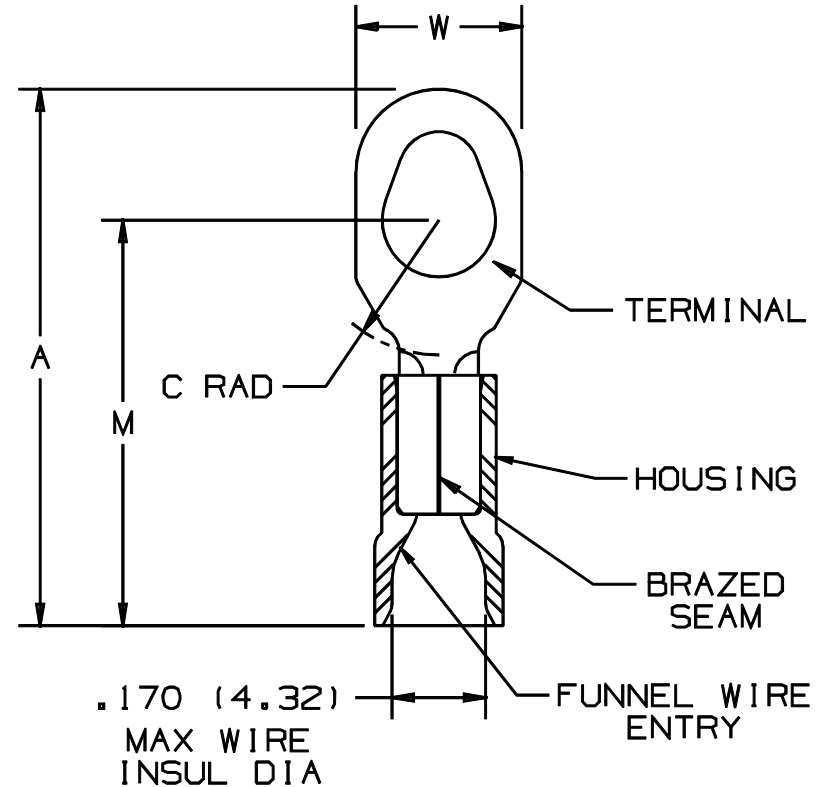
BOM Qty. (# of Pkgs.)

[Add to My Catalog](#)

 Please [register](#) to utilize the 'Bill of Materials', 'Submit Quotes' and 'My Catalog' features.

THIS COPY IS PROVIDED ON A RESTRICTED BASIS AND IS NOT TO BE USED IN ANY WAY DETRIMENTAL TO THE INTERESTS OF PANDUIT CORP.

PANDUIT PART NUMBER		STUD SIZE	DIMENSIONS in.			
PREFIX	PK		A $\pm .020$ (.51)	W $\pm .010$ (.25)	C $\pm .015$ (.38)	M $\pm .020$ (.51)
PV14-610R	-C -M	#6, #8, #10	1.00 (25.4)	.31 (7.9)	.25 (6.3)	.75 (19.0)



NOTES:

- UL LISTED AND CSA CERTIFIED FOR:
  - 600 V MAX VOLTAGE RATING
  - 221°F (105°C) MAX TEMP RATING
  - 167°F (75°C) MAX TEMP RATING WITH CT-100 TOOL
  - #16-14 AWG SOLID OR STRANDED, COPPER WIRE
- PACKAGE QUANTITY:
  - STD: C=100
  - BULK: M=1000
- MATERIAL:
  - STAMPING: .032 (.81) THK COPPER, TIN PLATED
  - HOUSING: BLUE VINYL
- WIRE STRIP LENGTH:  $5/16 \begin{smallmatrix} +1/32 \\ -0 \end{smallmatrix}$  (7.9  $\begin{smallmatrix} +.8 \\ -0 \end{smallmatrix}$ )
- DIMENSIONS IN BRACKETS ARE IN MILLIMETERS
- INSTALLATION TOOLS:
  - UL LISTED AND CSA CERTIFIED WITH: CT-100, CT-500\*, CT-550\*, CT-1551\*, CT-1550\*
  - PANDUIT APPROVED: CT-260, CT-400, CT-460, CT-160

\* APPROVED FOR EXPANDED WIRE RANGE #18-14 AWG



LISTED  
587H



CERTIFIED

A41479\_03

03	1/01	RM		FILESPEC WAS N41479AA_PCD_02			
02		JKD		ADDED CT-1551, CT-1550 TOOLS	07634		
01	2/92	BK	RLS	UPDATED AGENCY APPROVAL STATUS	00846	LA	KS
00	4/91	DL	DL	RELEASED ECN # 00460		LA	KS
REV	DATE	BY	CHK	DESCRIPTION	ECN	CUST	PM

**PANDUIT** CORP.

TINLEY PARK, ILLINOIS

#16-14 BARREL, VINYL INSULATED  
MULTI-STUD TERMINAL

DRWN BY	DRL	CHK'D	FES	SCALE	NONE	DRAWING NO.	A41479
---------	-----	-------	-----	-------	------	-------------	--------