

Current refinements (click  to remove)

[Search Tips](#) 
 Region  USA Product Family  Ring Terminal, Vinyl Insulated – Funnel Entry Text Search: 'PV14-6R-M'

Your search criteria matched only one product, shown below.


- Insulation support helps to prevent wire damage in bending applications
- Ring tongue design assures a secure connection in high vibration applications
- Brazed seam protects terminal barrel from splitting during the crimp process
- UL Flammability UL 94V-0, maximum insulation temperature 221°F (105°C)
- Internal barrel serrations assure good wire contact and maximum tensile strength
- UL and CSA rated up 600 V per UL 486

‡UL and CSA approved tooling/product combinations.

Note: Wire sizes #26 – #22 AWG, are not UL Listed or CSA Certified.

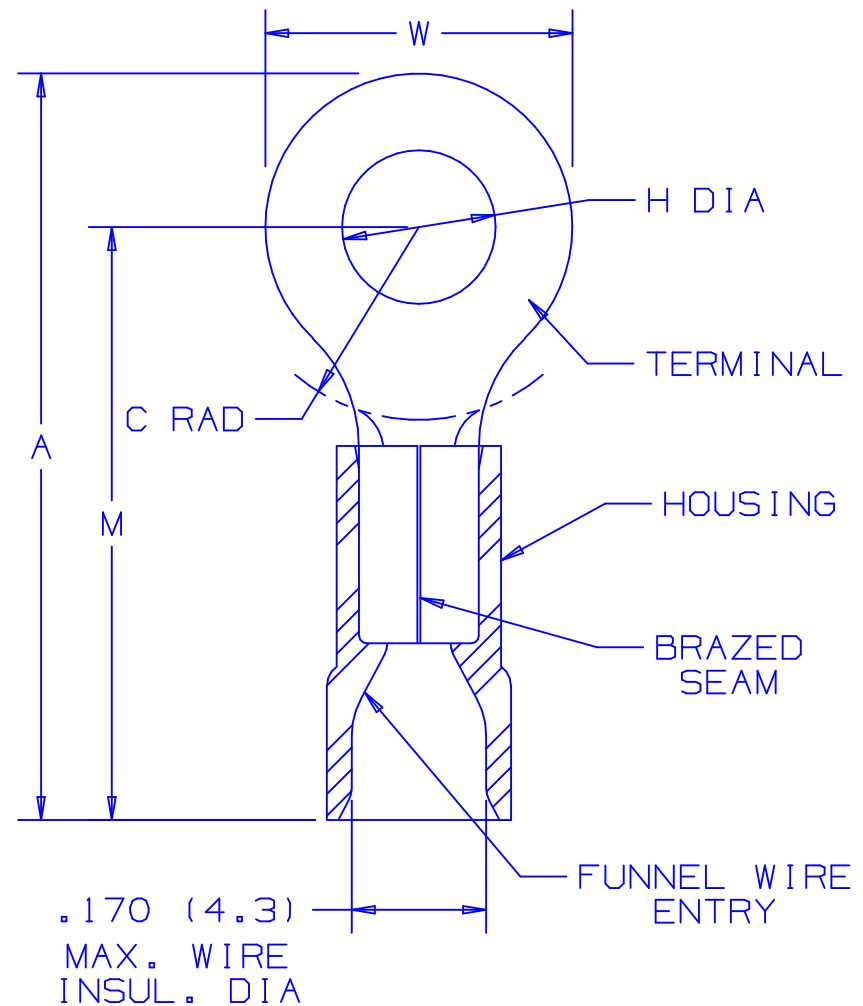
| | |
|-------------------------|--|
| Part Number: | PV14-6R-M |
| RoHS Compliance Status: | Compliant |
| Part Description: | Ring Terminal, 16 – 14 AWG, #6 stud size, vinyl insulated, funnel entry. |
| Product Type: | Terminals |
| CSA Certified: | Yes |
| UL Listed: | Yes |
| Length (In.): | .92 |
| Width (In.): | .31 |
| Clearance: | .25 |
| Max. Ins.: | .17 |
| Panduit Color Code: | Blue |
| Stock: | .03 |
| Stud Size: | #6 |
| Tool: | CT-100A‡, CT-600-A‡, CT-1550‡, CT-1551‡, CT-2500‡ |
| Wire Range: | 16 – 14 AWG |
| Min. Order UOM: | PC |
| Min. Order Qty.: | 1000 |

BOM Qty. (# of Pkgs.)

[Add to My Catalog](#)

 Please [register](#) to utilize the 'Bill of Materials', 'Submit Quotes' and 'My Catalog' features.

| PANDUIT PART NUMBER | | STUD SIZE | DIMENSIONS in. | | | | |
|---------------------|----------|-----------|----------------|---------------|---------------|----------------|---------------|
| | | | A ±.03 | W ±.01 | C ±.02 | M ±.03 | H ±.01 |
| PV14-4R | -C -M | #4 | .84 (21.3) | .25 (6.4) | .19 (4.8) | .71 (18.0) | .12 (3.1) |
| PV14-6RN | -C -M | #6 | .84 (21.3) | .25 (6.4) | .19 (4.8) | .71 (18.0) | .15 (3.8) |
| PV14-6R | -C -M | #6 | .92 (23.4) | .31 (7.9) | .25 (6.4) | .76 (19.3) | .15 (3.8) |
| PV14-8R | -C -M | #8 | .92 (23.4) | .31 (7.9) | .25 (6.4) | .76 (19.3) | .17 (4.3) |
| PV14-10R | -C -M | #10 | .92 (23.4) | .31 (7.9) | .25 (6.4) | .76 (19.3) | .20 (5.1) |
| PV14-14R | -C -M | 1/4" | 1.12 (28.5) | .46 (11.7) | .38 (9.7) | .89 (22.6) | .27 (6.9) |
| PV14-56R | -C -M | 5/16" | 1.12 (28.5) | .46 (11.7) | .38 (9.7) | .89 (22.6) | .34 (8.6) |
| PV14-38R | -L -M | 3/8" | 1.21 (30.7) | .53 (13.5) | .43 (10.9) | .94 (23.9) | .40 (10.2) |
| PV14-12R | -L | 1/2" | 1.42 (36.1) | .72 (18.3) | .53 (13.5) | 1.06 (26.9) | .52 (13.2) |



NOTES:

- UL LISTED & CSA CERTIFIED FOR
 - 600 V. MAX. VOLTAGE RATING (1000 V. MAX. IN SIGNS, FIXTURES AND LUMINAIRES.)
 - 18-14 AWG SOLID OR STRANDED COPPER WIRE & 221°F (105°C) MAX TEMP RATING, WITH THE CT-500 & CT-550, CT-1551, CT-1550 INSTALLATION TOOLS.
 - 16-14 AWG SOLID OR STRANDED COPPER WIRE & 167°F (75°C) MAX TEMP RATING WITH THE CT-100 INSTALLATION TOOLS.

- MATERIAL:
 - STAMPING - .032 (.8) THK COPPER, TIN PLATED
 - HOUSING - VINYL, BLUE

- STRIP LENGTH 5/16 +1/32_0
- PACKAGE QTY.:
 - L=50
 - STD PKG-C=100
 - BULK PKG-M=1000

5. DIMENSIONS IN BRACKETS ARE IN MILLIMETERS



CERTIFIED
LR31212



LISTED
587H
E52164

A41184_05

| 05 | 12/02 | SAC | | FOR PV14-12R DIM A WAS 1.41 & DIM M WAS 1.05 | | | |
|-----|-------|-----|-----|--|-------|------|-----|
| 04 | 5/02 | SRB | SKB | CHANGED (DIMS.) TO 1 PLACE DECIMAL | 10231 | LA | TRO |
| 03 | 4/02 | SRB | SKB | ADDED PV14-12R | 10171 | LA | TRO |
| REV | DATE | BY | CHK | DESCRIPTION | ECN # | CUST | PM |

PANDUIT CORP.

TINLEY PARK, ILLINOIS

2PC. VINYL INSULATED,
#16-14 BARREL, RINGS

| | | | |
|-----------------|-------|---------------|-----------------------|
| DRAWN BY FES | CHK'D | SCALE NONE | DRAWING NO. A41184 |
|-----------------|-------|---------------|-----------------------|