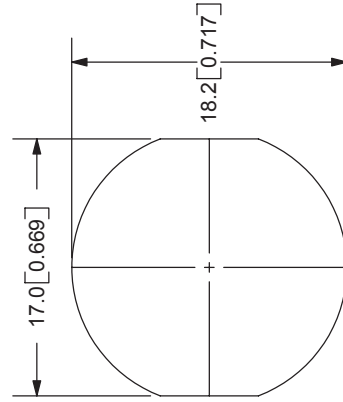
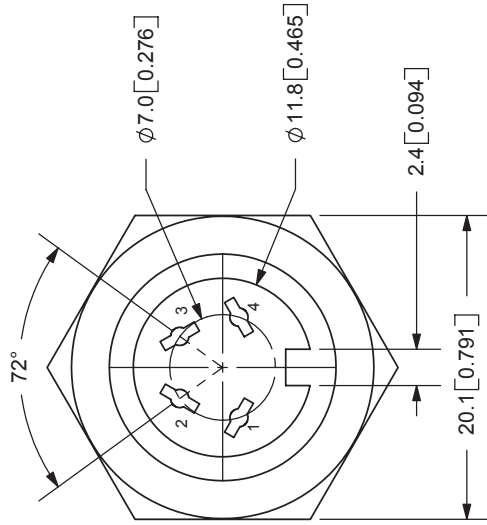
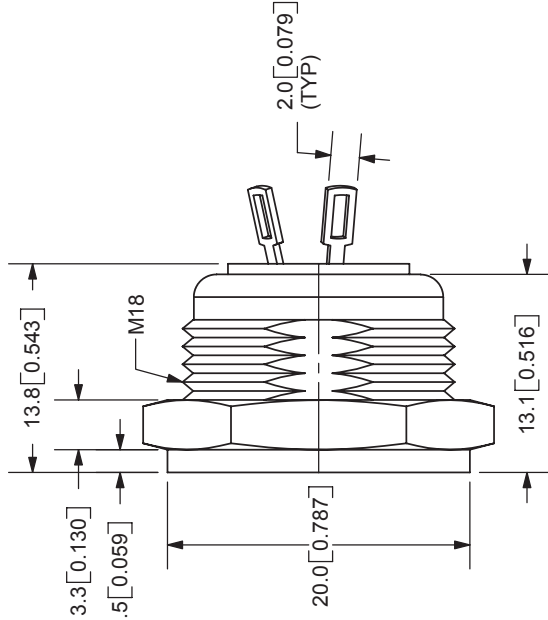
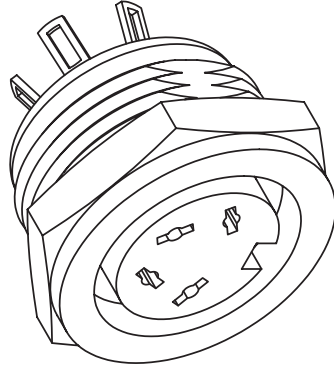


REV.	DESCRIPTION	DATE
A	NEW DRAWING	4/6/2006



Panel Cutout



TOLERANCE:  
 X.X ±0.2mm  
 X.XX ±0.1mm  
 X.XXX ±0.05mm



9615 SW Allen Blvd., Ste. 103  
 Beaverton, OR 97005  
 Phone: 503-643-4899  
 800-275-4899  
 Fax: 503-372-1266  
 Website: www.cui.com

**SPECIFICATIONS:**  
 RATING: 100V AC @ 2A  
 CONTACT RESISTANCE: 20m OHMS MAX  
 INSULATION RESISTANCE: 100M OHMS MIN: 500V DC  
 VOLTAGE WITHSTAND: 1000V AC R.M.S. FOR 1 MINUTE  
 LIFE: 5,000 CYCLES  
 OPERATING TEMP: -40° ~ +85°C

TITLE:	DIN RECEPTACLE, PANEL MOUNT	REV:	A
PART NO:	SD-40LS	UNITS:	MM [INCHES]
DRAWN BY:	ZRJ	APPROVED BY:	
		SCALE:	2:1

	MATERIAL	PLATING
CONTACT TERMINALS	Brass	Silver
HEX NUT	Brass	Nickel
COVER	Brass	Nickel
HOUSING	Nylon	

PC FILE NAME:  
 SD-40LS

COPYRIGHT 2006 BY CUI INC.