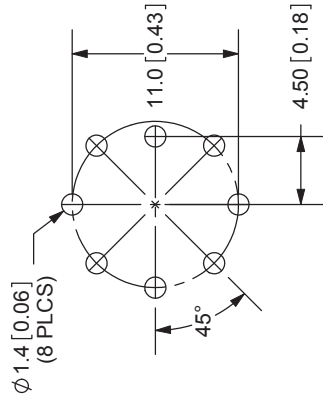
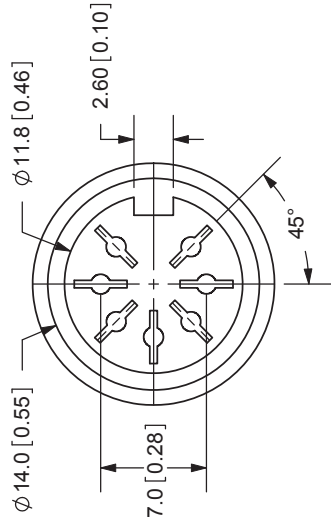
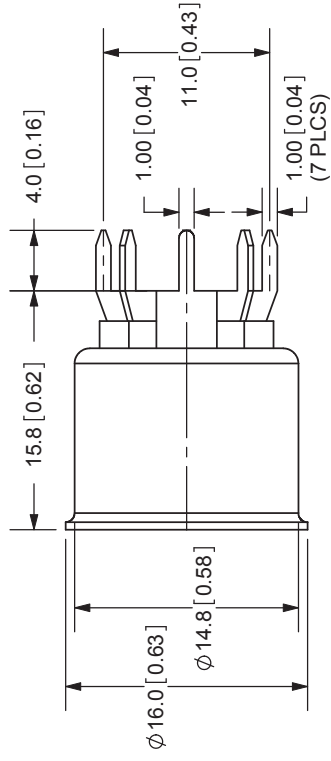
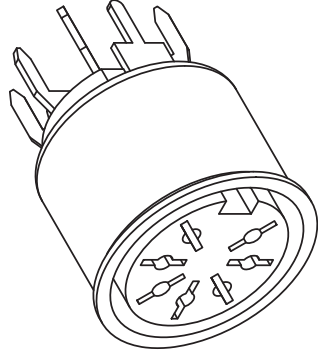


REV.	DESCRIPTION	DATE
A	NEW DRAWING	12/5/2005
B	rating update	8/28/2008



PCB LAYOUT
FRONT VIEW



TOLERANCE:
X: ±0.5
X.X ±0.3mm
X.XX ±0.15mm



20050 SW 112th Ave.
Tualatin, OR 97062
Phone: 503-612-2300
800-275-4899
Fax: 503-612-2383
Website: www.cui.com

SPECIFICATIONS:
RATING: 24V DC @ 1A PER PIN
CONTACT RESISTANCE: 50m OHMS MAX
INSULATION RESISTANCE: 100M OHMS MIN: 500V DC
VOLTAGE WITHSTAND: 500V AC R.M.S. FOR 1 MINUTE
LIFE: 5,000 CYCLES
OPERATING TEMP: -20° ~ +60°C

TITLE: DIN RECEPTACLE, VERTICAL, PCB 7P	REV: B
PART NO: SD-70BV	UNITS: MM [INCHES]
DRAWN BY: ZRJ	APPROVED BY:
	SCALE: 2:1

	MATERIAL	PLATING
CONTACTOR	Brass	Silver
SLEEVE	Phosphor Bronze	Silver
COVER	Iron Sheet	Nickel
MOUTH BUSHING	PBT-94V0 G15	

PC FILE NAME: SD-70BV

COPYRIGHT 2008 BY CUI INC.