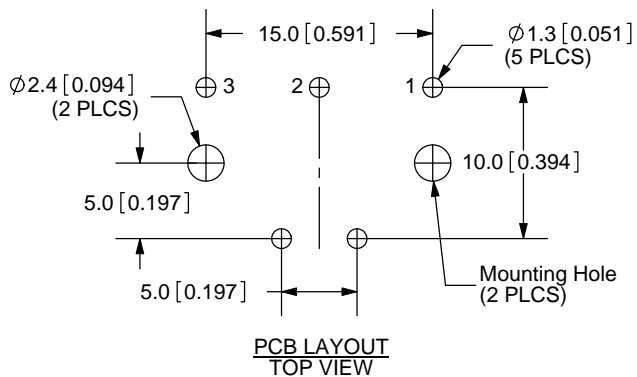
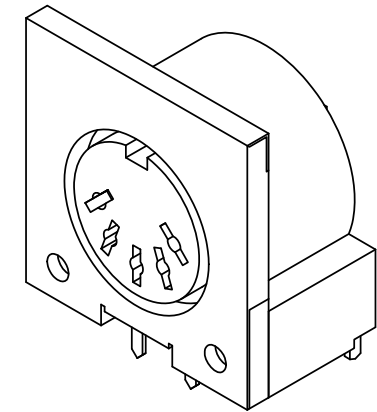
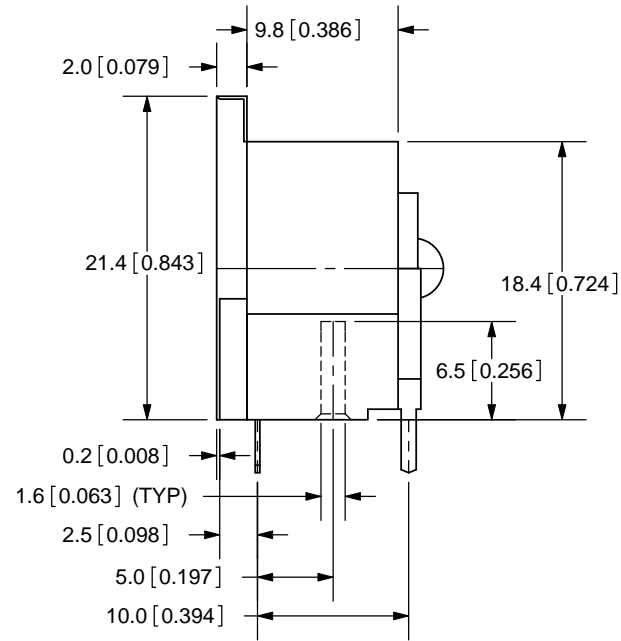
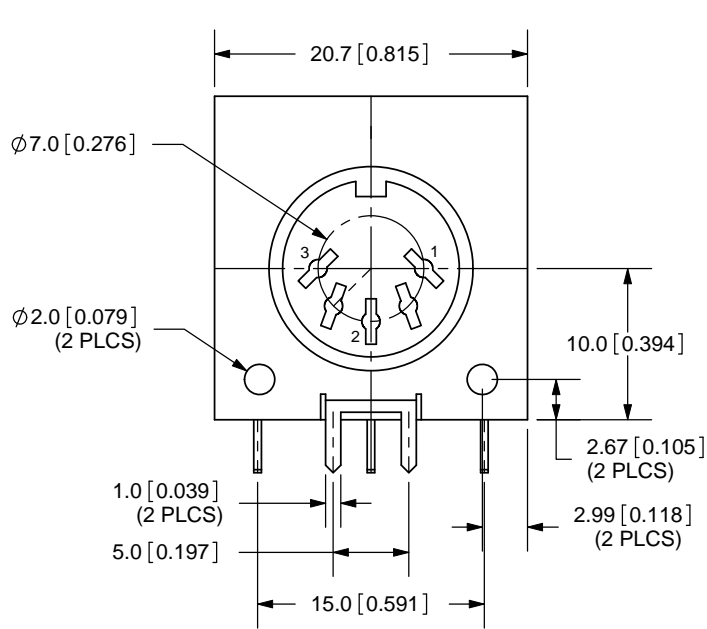


REV.	DESCRIPTION	DATE
A	NEW DRAWING	3/7/2006
B	Added dimensions	4/3/2006
C	Updated material list	5/15/2006



SPECIFICATIONS:
 RATING: 24V DC @ 1A; 100V AC @ 2A
 CONTACT RESISTANCE: 20m OHMS MAX
 INSULATION RESISTANCE: 100M OHMS MIN: 500V DC
 VOLTAGE WITHSTAND: 500V AC R.M.S. FOR 1 MINUTE
 INSERTION FORCE: 5.0KG MAX
 WITHDRAWAL FORCE: 0.6KG~3.0KG
 LIFE: 5,000 CYCLES
 OPERATING TEMP: -40° ~ +85°C

TOLERANCE:
 $\pm 0.2\text{mm}$ UNLESS OTHERWISE
 SPECIFIED



20050 SW 112th Ave.
 Tualatin, OR 97062
 Phone: 503-612-2300
 800-275-4899
 Fax: 503-612-2383
 Website: www.cui.com

TITLE: STANDARD CIRCULAR CONN. w/ SHIELD		REV: C
PART NO. SDF-30J		UNITS: MM [INCHES]
DRAWN BY: ZRJ	APPROVED BY:	SCALE: 2:1

	MATERIAL	PLATING
EARTH TERMINAL	Phosphor Bronze	Nickel
TERMINALS (1-3)	Brass	Tin
HOUSING	PBT	

PC FILE NAME:
 SDF-30J

COPYRIGHT 2009 BY CUI INC.