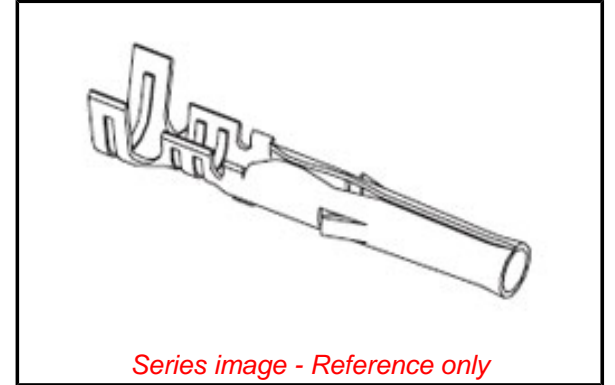


Part Number: [0002065103](#)

Status: **Active**

Overview: Standard .062"

Description: 1.57mm (.062") Diameter, Standard .062" Pin and Socket Crimp Terminal, Female, with 0.38µm (15µ") Gold (Au) Plated Brass Contact, 18-24 AWG, Bag



General

Product Family	Crimp Terminals
Series	1561
Overview	<u>Standard .062"</u>
Product Name	Standard .062"

Physical

Gender	Female
Material - Metal	Brass
Material - Plating Mating	Gold
Material - Plating Termination	Nickel
Packaging Type	Bag
Plating min: Mating (µin)	15
Plating min: Mating (µm)	0.38
Plating min: Termination (µin)	30
Plating min: Termination (µm)	0.76
Termination Interface: Style	Crimp or Compression
Wire Insulation Diameter	1.52-3.05mm (.060-.120")
Wire Size AWG	18
Wire Size AWG	20
Wire Size AWG	22
Wire Size AWG	24
Wire Size mm ²	N/A

Material Info

Old Part Number	1561-(P550)L
-----------------	--------------

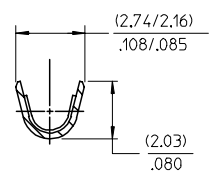
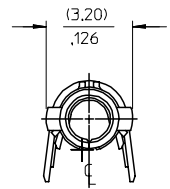
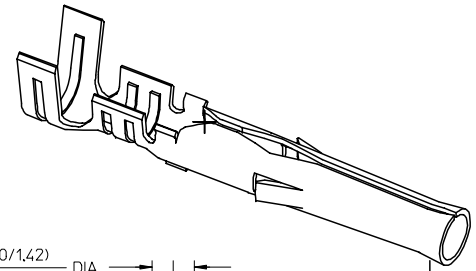
EU RoHS

**ELV and RoHS
Compliant**

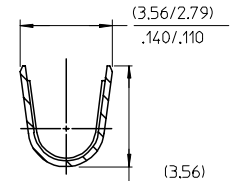
China RoHS



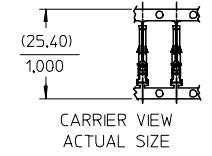
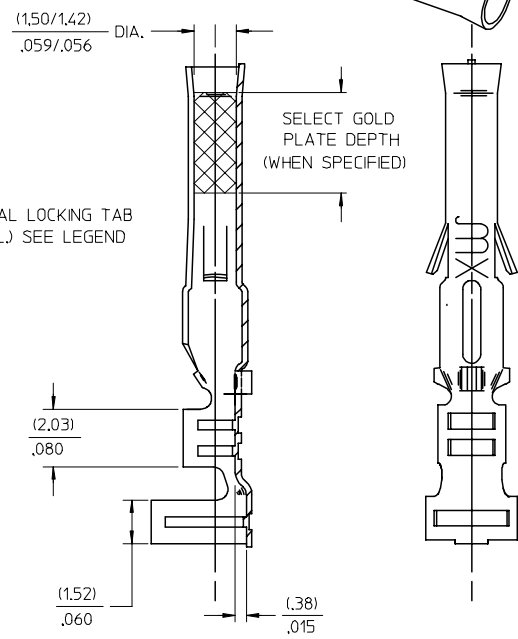
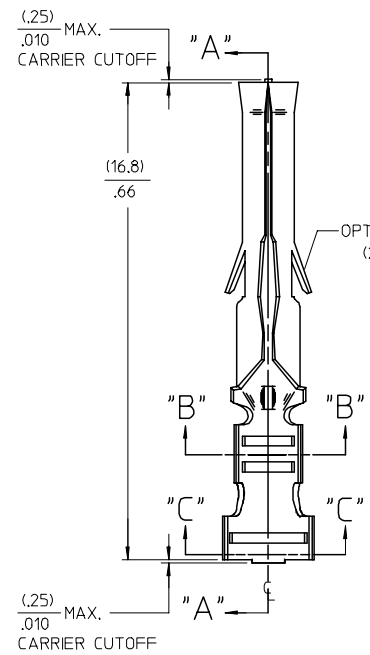
PART NO.	ENG. NO.
02-06-1101	1561-(P901)
02-06-1103	1561-(P901)L
02-06-5101	1561-(P561)
02-06-5102	1561-(P561)L
02-06-5108	1561-(P228)
02-06-5109	1561-(P228)L
02-06-5100	1561-(P550)
02-06-5103	1561-(P550)L
02-06-5105	1561-(P591)
02-06-5104	1561-(P591)L
02-06-1118	1561-1(P901)
NOT TOOLED	1561-1(P901)L



SECT. "B-B"
SCALE:10X



SECT. "C-C"
SCALE:10X



CARRIER VIEW
ACTUAL SIZE

LEGEND

1561-*(****)*
 BLANK=WITH LOCKING TABS
 1=WITHOUT LOCKING TABS
 P=PREPLATE
 BLANK=POSTPLATE
 FORM
 BLANK=CHAIN
 L=LOOSE
 FINISH CODE

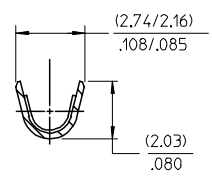
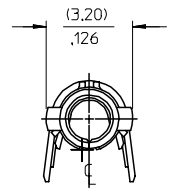
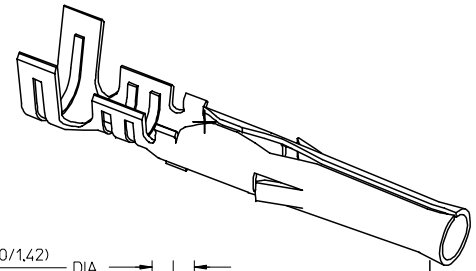
- NOTES:
- MATERIAL: BRASS
 - FINISH:
 - 901 HOT TIN DIP (.00051)/.000020 MIN.
 - 228 SELECT GOLD PLATE (.00075)/.000030 MIN. IN CONTACT AREA, SELECT TIN, (.00250)/.000100 MIN. IN CRIMP AREA OVER (.00125)/.000050 MIN. NICKEL OVERALL.
 - 561 SELECT GOLD PLATE (.00076)/.000030 MIN. IN CONTACT AREA, OVER (.00127)/.000050 MIN. NICKEL OVERALL.
 - 591 SELECT GOLD PLATE (.00175)/.000050 MIN. IN CONTACT AREA, OVER (.00127)/.000050 MIN. NICKEL OVERALL WITH (.000025)/.000010 MAX. GOLD FLASH OVERALL.
 - 550 SELECT GOLD PLATE (.00038)/.000015 MIN. IN CONTACT AREA, OVER (.00076)/.000030 MIN. NICKEL OVERALL WITH (.000025)/.000010 MAX. GOLD FLASH OVERALL.
 - THE PRIMARY SHIPPING CARTON WILL BE LABELED, "COMPLIANT TO ROHS DIRECTIVE 2004/95/EC AND ANNEX II OF DIRECTIVE 2000/53/EC", AND CARTONS WITHOUT THIS LABEL MAY CONTAIN PRODUCT WITH TIN-LEAD."
 - PRODUCT SPECIFICATION: PS-02-06.
 - PACKAGING INFORMATION: NOT AVAILABLE
 - TERMINAL FOR USE WITH (1.57)/.062 DIA. SERIES HOUSINGS AND WILL ACCEPT 18 THRU 24 AWG WIRE WITH (1.52/3.05)/.060/.120 INSULATION DIA.

SECT. "A-A"

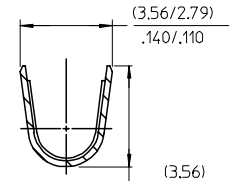
AP	REVISED/REDRAWN UCP2004-2257 RHOLTS 05/14/04
A0	REINSTATE 02065105 UCP2003-1827 ELHAG, 03/02/24
AN	OBSOLETE P/N UCR2002-0270 COMERCI 01/9/25
AM1	ADDED ISO VIEW UCR1998-0248 WANG 98-05-21
AM	REV. AND REDRAWN PER ECR 10372 GEP 8-20-87 RW

SEE REVISION BLOCK EC NO: UCP2004-2257 DRW:RHOLTS 2005/03/06 CHKD:FSMITH 2005/03/30 APPR:FSMITH 2005/04/11	QUALITY SYMBOLS	GENERAL TOLERANCES (UNLESS SPECIFIED)	SCALE 6:1	DESIGN UNITS INCH	THIRD ANGLE PROJECTION	REVISE ON CAD ONLY
	DESCRIPTION AP	4 PLACES ± --- ± --- 3 PLACES ± --- ± .005 2 PLACES ± 0.13 ± .010 1 PLACE ± 0.25 ± --- ANGULAR ±1/2°	DIMENSION STYLE IN/MM		TITLE	
			DRAWN BY GEW DATE 1991/02/19		CRIMP TERMINAL, FEMALE .062 DIA. FOR 18-24 AWG WIRE	
			CHECKED BY RW DATE 1991/02/19		MOLEX MOLEX INCORPORATED	
DRAFT WHERE APPLICABLE MUST REMAIN WITHIN DIMENSIONS		APPROVED BY GWF DATE 1991/02/19	MATERIAL NO. SEE CHART	DOCUMENT NO. SD-1561-*	SHEET NO. 1 OF 1	

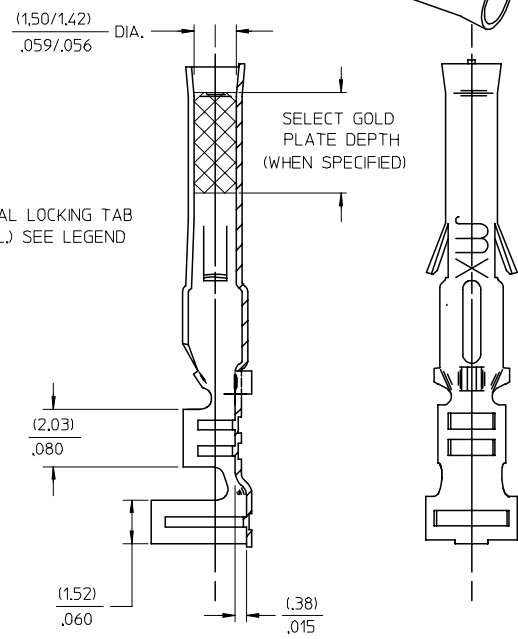
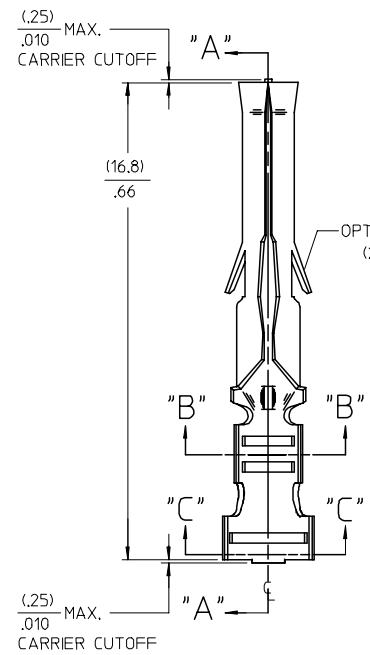
PART NO.	ENG. NO.
02-06-1101	1561-(P901)
02-06-1103	1561-(P901)L
02-06-5101	1561-(P561)
02-06-5102	1561-(P561)L
02-06-5108	1561-(P228)
02-06-5109	1561-(P228)L
02-06-5100	1561-(P550)
02-06-5103	1561-(P550)L
02-06-5105	1561-(P591)
02-06-5104	1561-(P591)L
02-06-1118	1561-1(P901)
NOT TOOLED	1561-1(P901)L



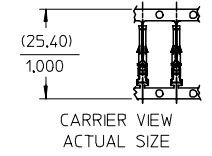
SECT. "B-B"
SCALE:10X



SECT. "C-C"
SCALE:10X



SECT. "A-A"



CARRIER VIEW
ACTUAL SIZE

LEGEND

1561-*(****)*
 BLANK=WITH LOCKING TABS
 1=WITHOUT LOCKING TABS
 P=PREPLATE
 BLANK=POSTPLATE
 FORM
 BLANK=CHAIN
 L=LOOSE
 FINISH CODE

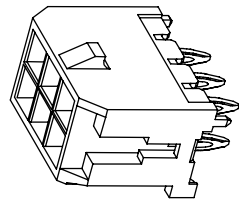
- NOTES:
- MATERIAL: BRASS
 - FINISH:
 - 901 HOT TIN DIP (.00051)/.000020 MIN.
 - 228 SELECT GOLD PLATE (.00075)/.000030 MIN. IN CONTACT AREA, SELECT TIN, (.00250)/.000100 MIN. IN CRIMP AREA OVER (.00125)/.000050 MIN. NICKEL OVERALL.
 - 561 SELECT GOLD PLATE (.00076)/.000030 MIN. IN CONTACT AREA, OVER (.00127)/.000050 MIN. NICKEL OVERALL.
 - 591 SELECT GOLD PLATE (.00175)/.000050 MIN. IN CONTACT AREA, OVER (.00127)/.000050 MIN. NICKEL OVERALL WITH (.000025)/.000010 MAX. GOLD FLASH OVERALL.
 - 550 SELECT GOLD PLATE (.00038)/.000015 MIN. IN CONTACT AREA, OVER (.00076)/.000030 MIN. NICKEL OVERALL WITH (.000025)/.000010 MAX. GOLD FLASH OVERALL.
 - THE PRIMARY SHIPPING CARTON WILL BE LABELED, "COMPLIANT TO ROHS DIRECTIVE 2004/95/EC AND ANNEX II OF DIRECTIVE 2000/53/EC", AND CARTONS WITHOUT THIS LABEL MAY CONTAIN PRODUCT WITH TIN-LEAD."
 - PRODUCT SPECIFICATION: PS-02-06.
 - PACKAGING INFORMATION: NOT AVAILABLE
 - TERMINAL FOR USE WITH (1.57)/.062 DIA. SERIES HOUSINGS AND WILL ACCEPT 18 THRU 24 AWG WIRE WITH (1.52/3.05)/.060/.120 INSULATION DIA.

AP	REVISED/REDRAWN UCP2004-2257 RHOLTS 05/14/04
A0	REINSTATE 02065105 UCP2003-1827 ELHAG, 03/02/24
AN	OBSOLETE P/N UCR2002-0270 COMERCI 01/9/25
AM1	ADDED ISO VIEW UCR1998-0248 WANG 98-05-21
AM	REV. AND REDRAWN PER ECR 10372 GEP 8-20-87 RW

SEE REVISION BLOCK EC NO: UCP2004-2257 DRW:RHOLTS 2005/03/06 CHKD:FSMITH 2005/03/30 APPR:FSMITH 2005/04/11	QUALITY SYMBOLS	GENERAL TOLERANCES (UNLESS SPECIFIED)	SCALE 6:1	DESIGN UNITS INCH	THIRD ANGLE PROJECTION	REVISE ON CAD ONLY
	DESCRIPTION AP	4 PLACES ± --- ± --- 3 PLACES ± --- ± .005 2 PLACES ± 0.13 ± .010 1 PLACE ± 0.25 ± --- ANGULAR ±1/2°	DIMENSION STYLE IN/MM		TITLE	
			DRAWN BY GEW DATE 1991/02/19		CRIMP TERMINAL, FEMALE .062 DIA. FOR 18-24 AWG WIRE	
			CHECKED BY RW DATE 1991/02/19		MOLEX MOLEX INCORPORATED	
DRAFT WHERE APPLICABLE MUST REMAIN WITHIN DIMENSIONS		APPROVED BY GWF DATE 1991/02/19	MATERIAL NO. SEE CHART	DOCUMENT NO. SD-1561-*	SHEET NO. 1 OF 1	
THIS DRAWING CONTAINS INFORMATION THAT IS PROPRIETARY TO MOLEX INCORPORATED AND SHOULD NOT BE USED WITHOUT WRITTEN PERMISSION						

3.00mm (.118") Pitch Micro-Fit CPI™ Wire-to-Board Header

44914
Dual Row, Vertical



Features and Benefits

- Solderless board connection
- 2 to 24 circuits for design flexibility
- Fully isolated contacts prevent terminal damage
- Fully polarized to prevent mismatching

Reference Information

Product Specification: PS-43045
Packaging: Tray
UL File No.: E29179
CSA File No.: LR19980A
TUV File No.: R72040445
Mates With: 43025
Designed In: Millimeters

Electrical

Voltage: 250V
Current: 5.0A max.
Contact Resistance: 100 milliohms max.
Dielectric Withstanding Voltage: 1500V AC

Mechanical

Insertion Force to PCB: 10.9kgf max. (24 lbf) per terminal
Retention Force to PCB: 3.6kgf max. (8lbf) per terminal
Durability: 30 cycles

Physical

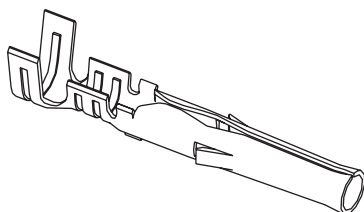
Housing: High-temperature LCP, UL 94V-0
Contact: Brass
Plating: Contact Area—Tin or Gold
Solder Tail Area—Tin or Tin/Lead
Underplating—Nickel
PCB Thickness: 2.34mm (.092") min.
Operating Temperature: -40 to +105°C

Circuits	Order No.			Lead-free
	Tin	15µm Gold	30µm Gold	
2	44914-0201	44914-5202	44914-5203	Yes
4	44914-0401	44914-5402	44914-5403	
6	44914-0601	44914-5602	44914-5603	
8	44914-0801	44914-5802	44914-5803	
10	44914-1001	44914-6002	44914-6003	
12	44914-1201	44914-6202	44914-6203	
14	44914-1401	44914-6402	44914-6403	
16	44914-1601	44914-6602	44914-6603	
18	44914-1801	44914-6802	44914-6803	
20	44914-2001	44914-7002	44914-7003	
22	44914-2201	44914-7202	44914-7203	
24	44914-2401	44914-7402	44914-7403	

Circuits	Order No.		Lead-free
	15µm Gold	30µm Gold	
2	44914-0202	44914-0203	No
4	44914-0402	44914-0403	
6	44914-0602	44914-0603	
8	44914-0802	44914-0803	
10	44914-1002	44914-1003	
12	44914-1202	44914-1203	
14	44914-1402	44914-1403	
16	44914-1602	44914-1603	
18	44914-1802	44914-1803	
20	44914-2002	44914-2003	
22	44914-2202	44914-2203	
24	44914-2402	44914-2403	

1.57mm (.062") Pin Diameter .062" Pin and Socket Female Terminals

Standard .062"



Features and Benefits

- Available in Tin or Gold platings
- Available in Brass or Phosphor Bronze base materials
- Accommodates 18 to 30 gauge wire

Reference Information

Packaging: Bag or reel
UL File No.: E29179
CSA File No.: LR19980
Designed In: Inches

Electrical

Contact Resistance: 3.2 milliohms max.
Current: 5.0A

Mechanical

Contact Insertion Force: 15.75N max.
Durability: Tin—25 cycles max.
Gold—50 cycles max.

Physical

Contact: Brass or Phosphor Bronze
Plating: Tin or Gold
Operating Temperature: -40 to +105°C

Type	Plating	Crimp Wire Size	Insulation Diameter	Series	Order No.		Lead-free	
					Chain	Loose		
Standard Brass .008"	Tin	18-24	1.52/3.05 (.060/.120)	1561	02-06-1101	02-06-1103	Yes	
		24-30	1.02/2.29 (.040/.090)	1855	02-06-1131	02-06-1132		
	15µm Gold	18-24	1.52/3.05 (.060/.120)	1561	02-06-5100	02-06-5103		
		24-30	1.02/2.29 (.040/.090)	1855	02-06-5130	02-06-5135		
	30µm Gold	18-24	1.52/3.05 (.060/.120)	1561	02-06-5101	02-06-5102		
		24-30	1.02/2.29 (.040/.090)	1855	02-06-5138	02-06-5139		
	30µm Gold Contact Tin Crimp	18-24	1.52/3.05 (.060/.120)	1561	02-06-5108	02-06-5109		
		24-30	1.02/2.29 (.040/.090)	1855	02-06-5147	02-06-5148		
	Phos-Bronze	Tin .006"	18-24	1.52/3.05 (.060/.120)	4529	02-06-1104		02-06-1105
			18-24	1.52/3.05 (.060/.120)	1787	02-06-1201		02-06-1202
Tin .008"		18-24	1.52/3.05 (.060/.120)	2189	02-06-1231	02-06-1232		
		18-24	1.52/3.05 (.060/.120)	4529	02-06-5207	02-06-5208		
.006" Gold (15µm) .008" Gold (15µm)		18-24	1.52/3.05 (.060/.120)	1787	02-06-5201	02-06-5202		
		Tin		1779		02-06-7103		
.008" PC Tail Brass for Standard .062" Housings Only	30µm Gold Tin Tail Area			1779		02-06-7104		

Note: .006 Phosphor Bronze stock recommended for versions 15 circuits and larger

