

LEAD FREE

DWG. NO. SD-35363-002

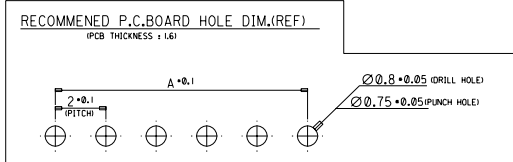
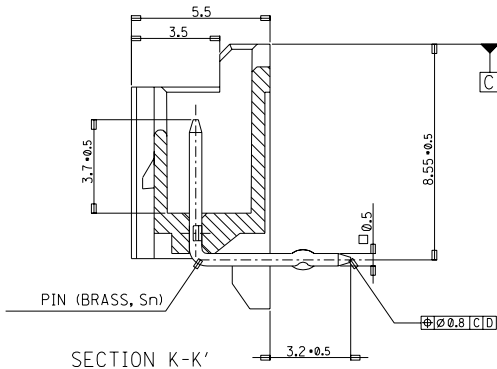
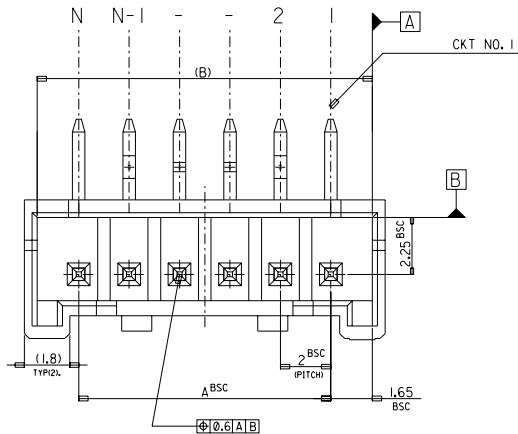
SIMILAR ITEM

PROJECT NO.

C

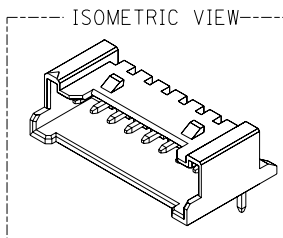
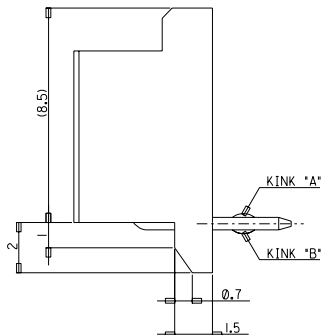
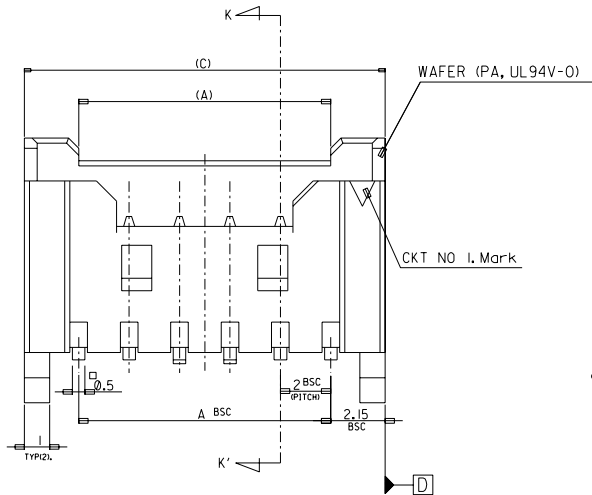
B

DO NOT SCALE DRAWING
DIMENSION IN METRIC



LEGEND

SD-35363-**-**	6	* COLOR	Ø : NATURAL
CKT NO.			1 : BLACK
LEAD FREE			2 : RED
			3 : YELLOW
			4 : BLUE
			5 : GREEN



32.3	31.3	28	-156*	-156*	15
30.3	29.3	26	-146*	-146*	14
28.3	27.3	24	-136*	-136*	13
26.3	25.3	22	-126*	-126*	12
24.3	23.3	20	-116*	-116*	11
22.3	21.3	18	-106*	-106*	10
20.3	19.3	16	-096*	-096*	9
18.3	17.3	14	-086*	-086*	8
16.3	15.3	12	-076*	-076*	7
14.3	13.3	10	-066*	-066*	6
12.3	12.3	8	-056*	-056*	5
10.3	9.3	6	35363046*	35363-046*	4
(C)	(B)	A	MATERIAL NO.	ENG. NO.	CKT

NOTES

- MATERIAL : WAFER : POLYAMIDE(PA), NO GLASS, UL94V-0
PIN : BRASS
- FINISHES : TERMINAL : Sn 2*3um OVERALL
- PRODUCT SPECIFICATION : PS-35507-003
- MATING HOUSING : 35507-**-0*
MATING TERMINAL : 50212-8000
- KINK

CKT NO	1	2	3	4	5	N-2	N-1	N
6 CKT OVER	-	A	B	-	-	B	A	-
5 CKT	A	B	-	B	A			
4 CKT	A	B	B	A				

30 over	±0.3
10 over 30 under	±0.25
10 under	±0.2
ANGLE	±3°
GENERAL TOLERANCE	

Release	EC NO. KOR2004-037
DRWN: YSOOKIM	04/02/24
CHK: JKOH	
APPR: CWLEE	
DESCRIPTION	
REV	A

QUALITY SYMBOLS	MAJOR	CRITICAL
	▲	△

GENERAL TOLERANCES: (UNLESS SPECIFIED)	mm	INCH
4 PLACES	±0.	±.
3 PLACES	±0.	±.
2 PLACES	±0.	±.
1 PLACE	±0.	±.
ANGULAR:	±	
DRAFT WHERE APPLICABLE MUST REMAIN WITHIN DIMENSIONS		

SCALE 1:1	DESIGN UNITS <input checked="" type="checkbox"/> mm <input type="checkbox"/> INCH
DRAWN BY & DATE	
YSOOKIM 96/09/11	
CHECKED BY & DATE	
J.K.Oh 96/09/11	
APPROVED BY & DATE	
C.W.Lee 96/09/11	
CAD FILENAME	SD35363-002S1.DGN

DIMENSIONS: <input type="checkbox"/> mm <input type="checkbox"/> INCH	<input checked="" type="checkbox"/> mm ONLY	SHT	REV
THIRD ANGLE PROJECTION			
TITLE: NEW 2.0 W/B CONN WAFER ASSY (R/A) (LEAD FREE)			
MOLEX INCORPORATED			
MATERIAL NO.	DRAWING NO.	SHEET NO.	REV
SEE NOTE	SD-35363-002	1 OF 3	B
THIS DRAWING CONTAINS INFORMATION THAT IS PROPRIETARY TO MOLEX INCORPORATED AND SHOULD NOT BE USED WITHOUT WRITTEN PERMISSION.			

A

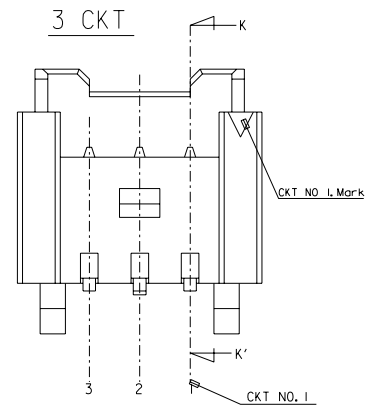
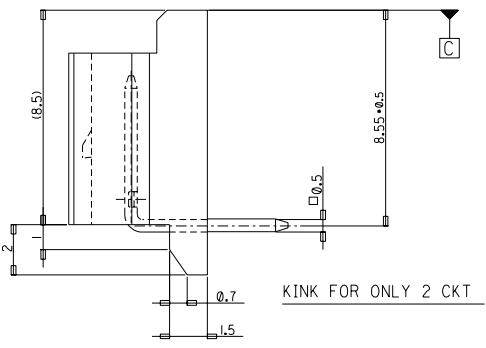
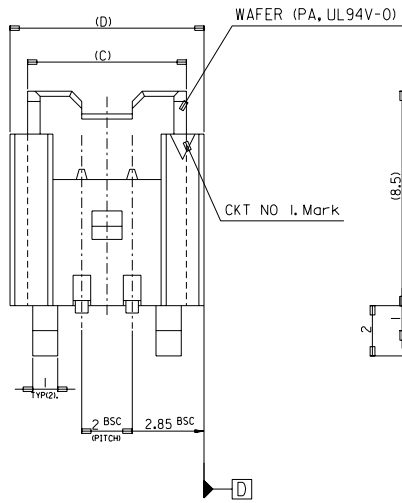
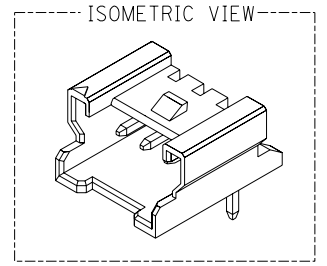
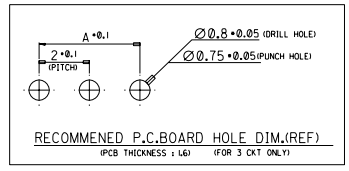
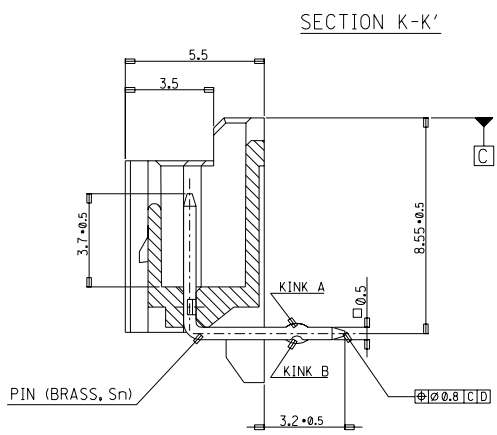
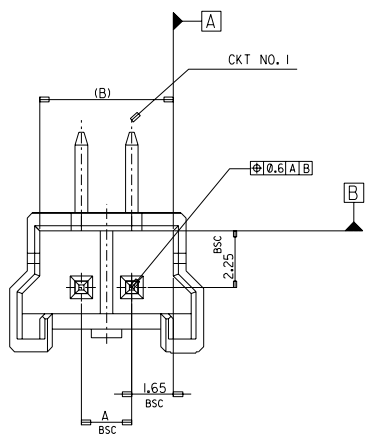
MX-A3

DWG. NO. SD-35363-002
 SIMILAR ITEM
 PROJECT NO.
 C
 B
 DO NOT SCALE DRAWING DIMENSION IN METRIC

8 7 6 5 4 3 2

LEAD FREE

FOR 2 & 3 CKTS.



LEGEND

SD-35363-***6*
 CKT NO. _____ * _____ COLOR _____
 LEAD FREE _____

- Ø : NATURAL
- 1 : BLACK
- 2 : RED
- 3 : YELLOW
- 4 : BLUE
- 5 : GREEN

9.7	8.3	7.3	4	35363036*	-036*	3
7.7	6.3	5.3	2	35363026*	35363-026*	2
(D)	(C)	(B)	A	MATERIAL NO.	ENG. NO.	CKT

- NOTES**
- MATERIAL : WAFER : POLYAMIDE(PA), NO GLASS, UL94V-0
PIN : BRASS
 - FINISHES : TERMINAL : Sn 2+3um OVERALL
 - PRODUCT SPECIFICATION : PS-35507-003
 - MATING HOUSING : 35507-***0*
MATING TERMINAL : 50212-8000
 - KINK

CKT NO	1	2	3
2 CKT	NONE	KINK	
3 CKT	A	B	A

30 over	+0.3
10 over 30 under	±0.25
10 under	±0.2
ANGLE	±3°
GENERAL TOLERANCE	A

Release
 EC NO. KOR2004-0137
 DRWN: YSOOKIM 04/02/24
 CHK: JKOH
 APPR: CWLEE

QUALITY SYMBOLS
 MAJOR
 CRITICAL

GENERAL TOLERANCES: (UNLESS SPECIFIED)

	mm	INCH
4 PLACES	±0.	±.
3 PLACES	±0.	±.
2 PLACES	±0.	±.
1 PLACE	±0.	±.

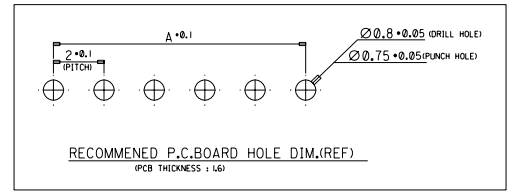
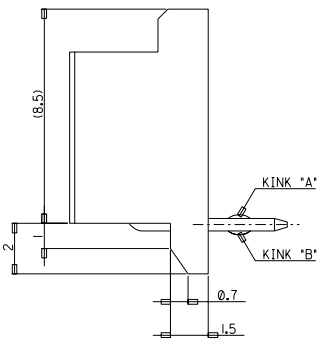
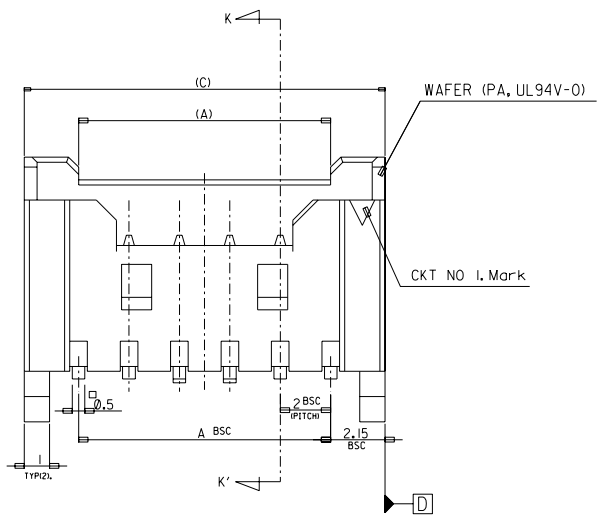
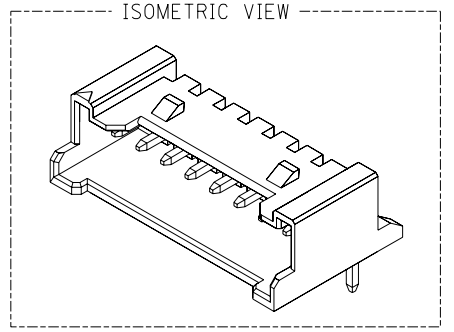
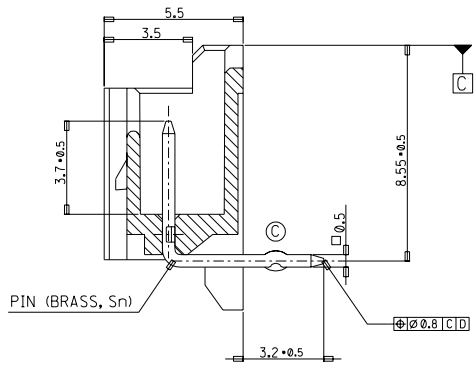
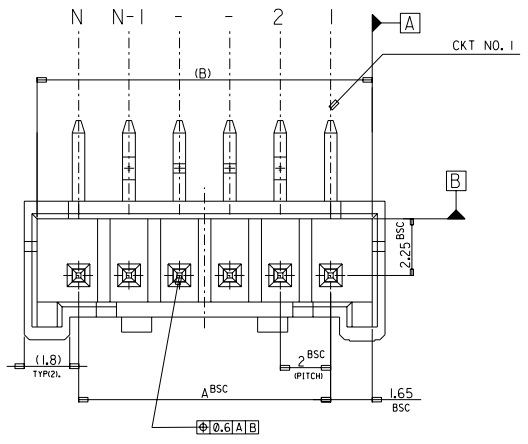
ANGULAR: ±

DRAFT WHERE APPLICABLE MUST REMAIN WITHIN DIMENSIONS

SCALE 1:1	DESIGN UNITS <input checked="" type="checkbox"/> mm <input type="checkbox"/> INCH	THIRD ANGLE PROJECTION <input checked="" type="checkbox"/> <input type="checkbox"/>	DIMENSIONS: <input type="checkbox"/> mm <input type="checkbox"/> INCH <input checked="" type="checkbox"/> mm ONLY	SHT	REV
DRAWN BY & DATE YSOOKIM 96/09/11		TITLE: NEW 2.0 W/B CONN WAFER ASSY (R/A) (LEAD FREE)			
CHECKED BY & DATE J.K.Oh 96/09/11		MATERIAL NO. SD35363-002			
APPROVED BY & DATE C.W.Lee 96/09/11		DRAWING NO. SD-35363-002			
CAD FILENAME SD35363-001S2.DGN		MATERIAL NO. SEE NOTE		SHEET NO. 2 OF 3	
THIS DRAWING CONTAINS INFORMATION THAT IS PROPRIETARY TO MOLEX INCORPORATED AND SHOULD NOT BE USED WITHOUT WRITTEN PERMISSION.					SIZE B

8 7 6 5 4 3 2 MX-A3

LEAD FREE



LEGEND

SD-35363-**6* COLOR

- 0 : NATURAL
- 1 : BLACK
- 2 : RED
- 3 : YELLOW
- 4 : BLUE
- 5 : GREEN

42.3	41.3	38	35363206*	35363-206*	20
(C)	(B)	A	MATERIAL NO.	ENG. NO.	CKT

- NOTES**
- MATERIAL : WAFER : POLYAMIDE(PA), NO GLASS, UL94V-0
PIN : BRASS
 - FINISHES : TERMINAL : Sn 2±3um OVERALL
 - PRODUCT SPECIFICATION : PS-35507-003
 - MATING HOUSING : 35507-**-0
MATING TERMINAL : 50212-8000
 - KINK

CKT NO.	1	2	3	4	N-3	N-2	N-1	N
20	-	A	B	-	-	B	A	-

30 over	±0.3
10 over 30 under	±0.25
10 under	±0.2
ANGLE	±3°
GENERAL TOLERANCE	

Release
EC NO. KOR2004-0137
DRAWN: YSOOKIM 04/02/24
CHK: JKOH
APPR: CWLEE

QUALITY SYMBOLS
MAJOR =
CRITICAL =

DESCRIPTION
REV

GENERAL TOLERANCES: (UNLESS SPECIFIED)

	mm	INCH
4 PLACES	±0.	±.
3 PLACES	±0.	±.
2 PLACES	±0.	±.
1 PLACE	±0.	±.

ANGULAR: ±

DRAFT WHERE APPLICABLE MUST REMAIN WITHIN DIMENSIONS

SCALE 1 : 1
DESIGN UNITS mm INCH
THIRD ANGLE PROJECTION

DRAWN BY & DATE
YSOOKIM 98/04/23

CHECKED BY & DATE
J.K.Oh 98/04/23

APPROVED BY & DATE
C.W.Lee 98/04/23

CAD FILENAME
SD35363-002S3.DGN

TITLE: NEW 2.0 W/B CONN
WAFER ASSY (R/A) (LEAD FREE)

MOLEX INCORPORATED

MATERIAL NO. SEE NO.
DRAWING NO. SD-35363-002
SHEET NO. 3 OF 3

THIS DRAWING CONTAINS INFORMATION THAT IS PROPRIETARY TO MOLEX INCORPORATED AND SHOULD NOT BE USED WITHOUT WRITTEN PERMISSION.

SIZE B

DO NOT SCALE DRAWING DIMENSION IN METRIC

PROJECT NO. SIMILAR ITEM DWG. NO. SD-35363-002