

10 9 8 7 6 5 4 3 2 1

NOTES:

1- MATERIAL:

HOUSING: LCP GLASS FILLED UL 94V0 COLOUR: BLACK
 TERMINAL: BRASS PLATED WITH:
 0.00127/.000050 MIN GOLD IN CONTACT AREA,
 0.00190/.000075 MIN PURE TIN IN TAIL AREA,
 BOTH OVER 0.00127/.000050 MIN NICKEL OVERALL.
 SOLDER TABS: BRASS PLATED WITH 0.0020/.000078 MIN TIN.

2- JACK FOR MATING WITH F.C.C.68 PLUGS.
 (MOLEX 90075 SERIES).

3- PRODUCT SPECIFICATION: MOLEX PS-85502-001

4- POLYIMIDE ADHESIVE TAPE FOR PICK & PLACE SURFACE.
 THICKNESS: 125 μm/4921 μ''

5- PACKAGING SPECIFICATION: MOLEX PK-85502.
 (BLISTER PACKAGING).

6- COPLANARITY OF SIGNAL LEADS: 0.10/.004

7- SEE DIMENSIONS IN CHART ON SHEET 2.

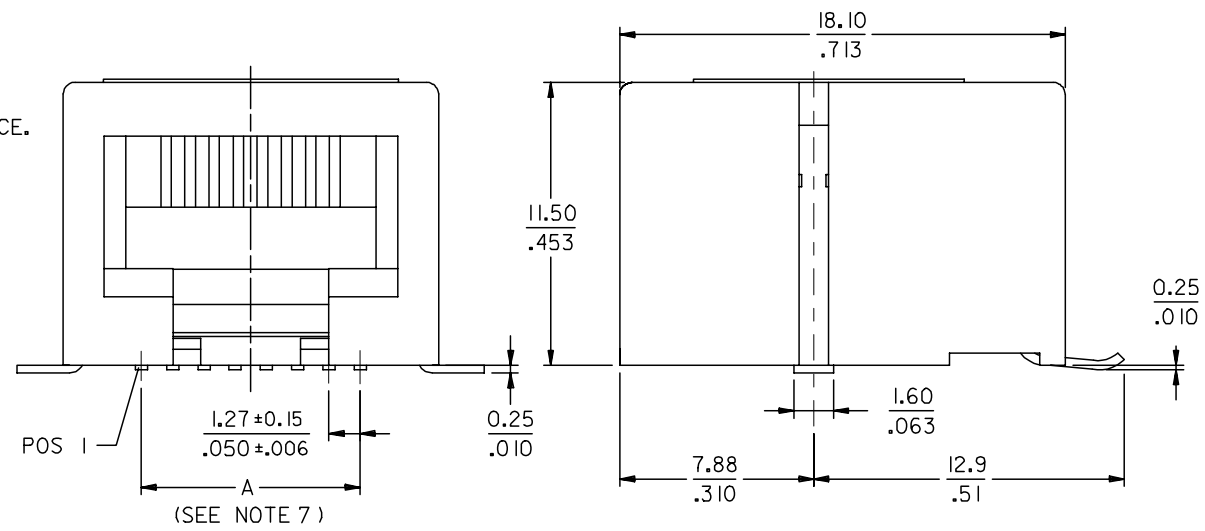
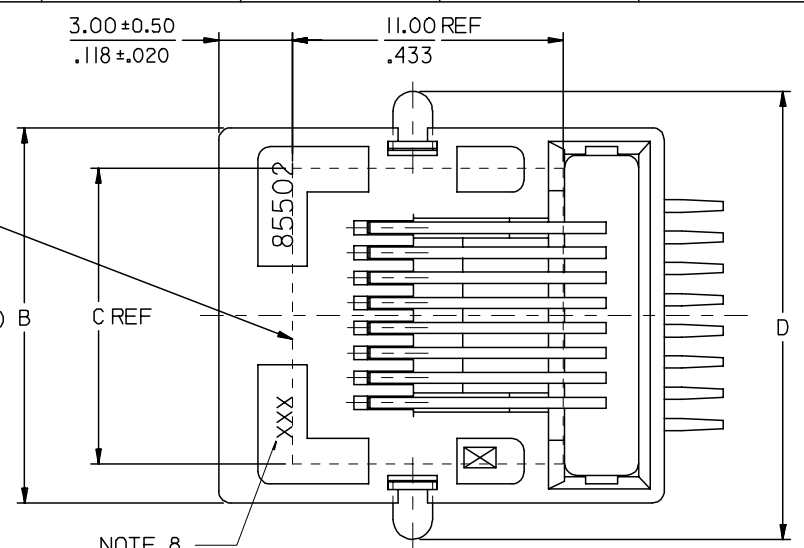
8- MANUFACTURING I.D. CAN BE EITHER MG, MXF OR MXI.

9- APPLICATION SPECIFICATION: AS-85513-001

SEE NOTE 4

(SEE NOTE 7) B

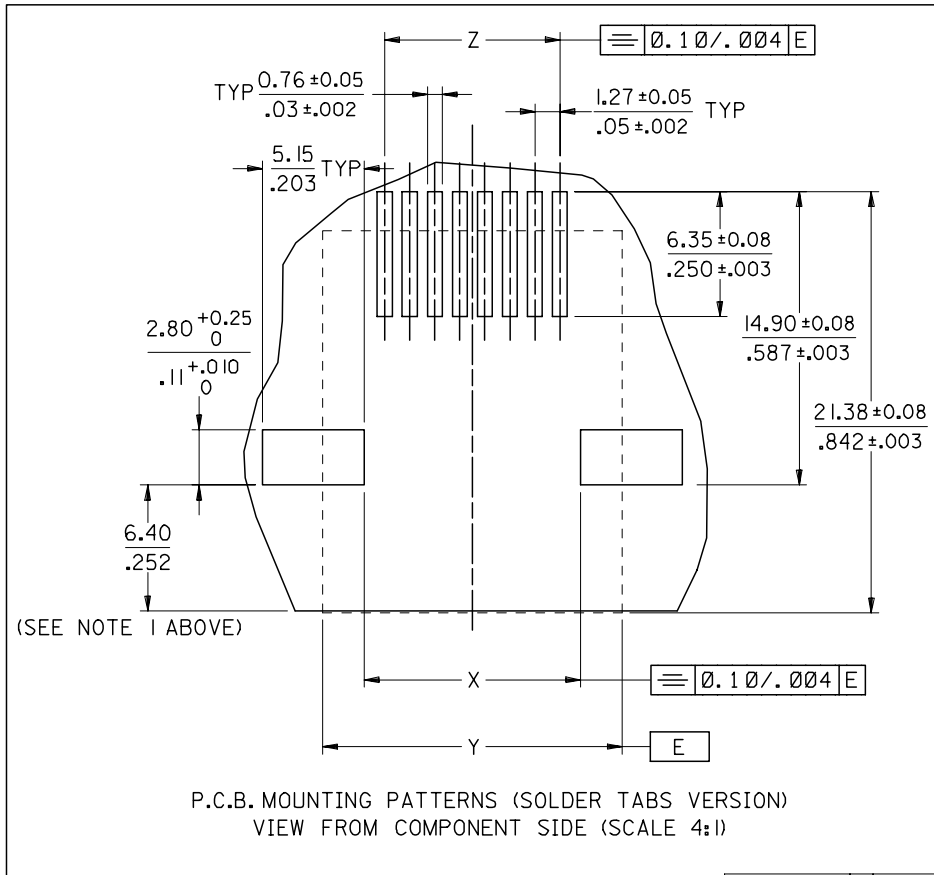
NOTE 8.



MODIFIED MATERIAL EC NO: E2007-0717 DRWN: DBYRNES CHKD: APPR: EOMAHONY 2007/02/15 2007/02/15 2007/02/15	QUALITY SYMBOLS ▽=0 ▽=0	GENERAL TOLERANCES (UNLESS SPECIFIED)		DIMENSION STYLE	SCALE	DESIGN UNITS	THIRD ANGLE PROJECTION	
				MM/IN	5:1	METRIC		
				MM	INCH			
				4 PLACES ± ---	± ---			
		3 PLACES ± ---	± .010					
		2 PLACES ± 0.25	± .014					
		1 PLACE ± 0.35	± ---					
		ANGULAR ± 2 °						
		DRAFT WHERE APPLICABLE MUST REMAIN WITHIN DIMENSIONS						
				DRAWN BY	DATE	TITLE		
				DB	2006/06/12	R/A LOW PROFILE TRUE SMT		
				CHECKED BY	DATE	4,6 & 8 CONTACTS PC JACK		
				EOMAHONY	2006/06/15	WITH SIDE SOLDER TABS		
				APPROVED BY	DATE	MOLEX INCORPORATED		
				EOMAHONY	2006/06/15			
				MATERIAL NO.	DOCUMENT NO.	SHEET NO.		
				SEE CHART SHT 2	SD-85502-101	1 OF 2		
				THIS DRAWING CONTAINS INFORMATION THAT IS PROPRIETARY TO MOLEX INCORPORATED AND SHOULD NOT BE USED WITHOUT WRITTEN PERMISSION				

9 8 7 6 5 4 3 2 1

NOTE 1: RECOMMENDED DISTANCE FROM THE PCB'S EDGE



PART NUMBERS FOR TRUE SMT JACK WITH SOLDER TABS						
HOUSING COLOR	POS 4	TOOLED	POS 6	TOOLED	POS 6	TOOLED
	4 CKTS		4 CKTS		6 CKTS	
STANDARD VERSION	BLACK	85502-5005	85502-5006	85502-5007	85502-5008	

TYPE	POS 4	POS 6		POS 8
	4 CKTS	4 CKTS	6 CKTS	8 CKTS
A ±0.15 / .006	3.81 / .150	3.81 / .150	6.35 / .250	8.89 / .350
B	11.18 / .440	13.21 / .520	13.21 / .520	15.24 / .600
C (REF)	8.50 / .335	8.50 / .335	8.50 / .335	12.00 / .472
D ±0.35 / .014	14.13 / .556	16.16 / .636	16.16 / .636	18.19 / .716
X ±0.10 / .004	6.94 / .273	8.97 / .353	8.97 / .353	11.00 / .433
Y (REF)	11.18 / .440	13.21 / .520	13.21 / .520	15.24 / .600
Z ±0.05 / .002	3.81 / .150	3.81 / .150	6.35 / .250	8.89 / .350

P.C.B. MOUNTING PATTERNS (SOLDER TABS VERSION)
VIEW FROM COMPONENT SIDE (SCALE 4:1)

QUALITY SYMBOLS	▽=0	∇=0
DESCRIPTION	SEE SHEET 1	
REV	EC NO: E2007-0717	
	DRWN:DBYRNES 2007/02/15	
	CHKD: 2007/02/15	
	APPR:EOMAHONY 2007/02/15	

GENERAL TOLERANCES (UNLESS SPECIFIED)	DIMENSION STYLE MM/IN	SCALE 5:1	DESIGN UNITS METRIC	THIRD ANGLE PROJECTION
4 PLACES ± --- ± ---	DRAWN BY DATE DB 2006/06/12	R/A LOW PROFILE TRUE SMT 4,6 & 8 CONTACTS PC JACK WITH SIDE SOLDER TABS		
3 PLACES ± --- ± .010	CHECKED BY DATE EOMAHONY 2006/06/15			
2 PLACES ± 0.25 ± .014	APPROVED BY DATE EOMAHONY 2006/06/15	MOLEX INCORPORATED		
1 PLACE ± 0.35 ± ---	MATERIAL NO.			
ANGULAR ± 2 °	DRAFT WHERE APPLICABLE MUST REMAIN WITHIN DIMENSIONS	SEE CHART	DOCUMENT NO. SD-85502-101	SHEET NO. 2 OF 2
THIS DRAWING CONTAINS INFORMATION THAT IS PROPRIETARY TO MOLEX INCORPORATED AND SHOULD NOT BE USED WITHOUT WRITTEN PERMISSION				