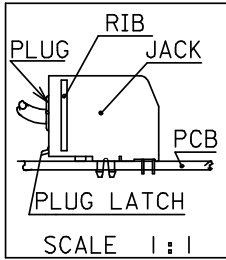
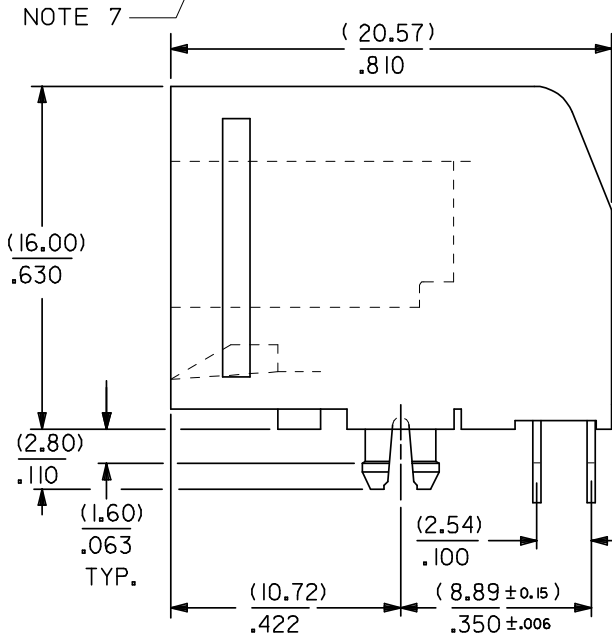
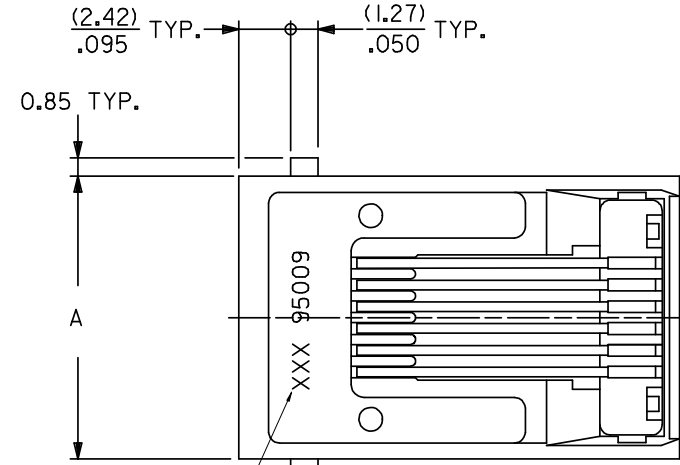


NOTES :

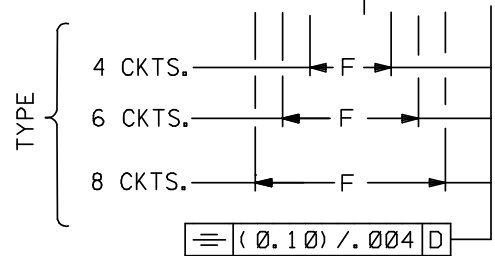
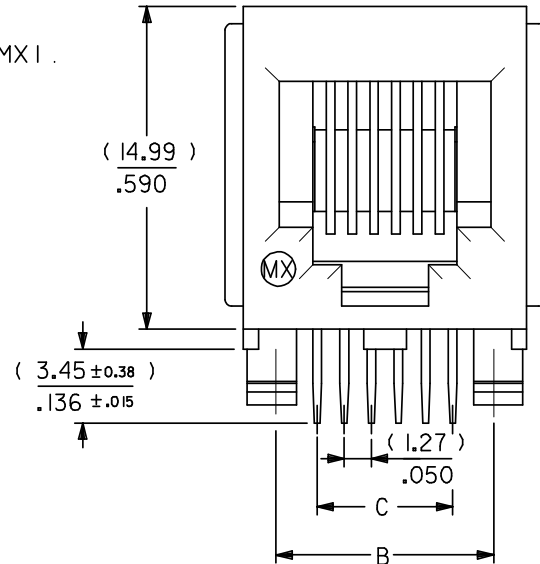
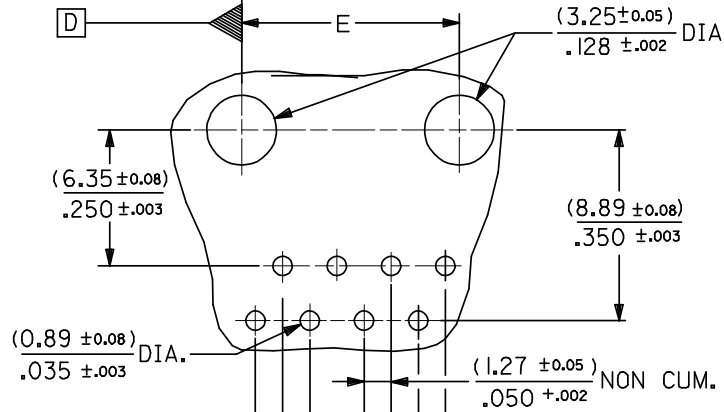
- 1- MATERIAL : POLYESTER FIBER GLASS FILED 94-V-0
COLOR BLACK .
- TERMINAL : TIN BRASS.
- PLATINGS : FINISH 2
POST PLATE (0.00127-0.00152)/.000050-.000060
GOLD IN CONTACT AREA .
(0.00190)/.000075 MIN. PURE TIN IN TAIL AREA BOTH
OVER (0.00127)/.000050 MIN. NICKEL OVERALL .



- 2- PC BOARD THICKNESS : (1.57) / .062 .
- 3- JACK FOR MATING WITH F.C.C. 68 PLUGS 90075 MOLEX SERIES .
- 4- PRODUCT SPECIFICATION PS-95009-001.
- 5- APPLICATION SPECIFICATION AS-95001.
- 6- PACKAGING SPECIFICATION PK-95029.
- 7- MANUFACTURING ID CAN BE MXF, MG OR MXI .



MOUNTING HOLE PATTERNS
(SEE FROM COMPONENT SIDE)



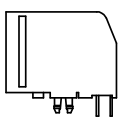
| | |
|-----|---------------------------|
| REV | DESCRIPTION |
| II | APPR: JWALLACE 2008/01/16 |
| | CHKD: 2008/01/16 |
| | DRWN: DBYRNES 2008/01/14 |
| | EC NO: E2008-0348 |
| | UPDATED NOTES. |

| | |
|-----------------|-------------|
| QUALITY SYMBOLS | DESCRIPTION |
| ▽=0 | |
| ▽=0 | |

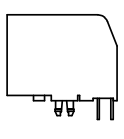
| | |
|--|---------|
| GENERAL TOLERANCES (UNLESS SPECIFIED) | |
| | mm INCH |
| 4 PLACES ± --- | ± --- |
| 3 PLACES ± --- | ± .010 |
| 2 PLACES ± 0.25 | ± .014 |
| 1 PLACE ± 0.35 | ± --- |
| ANGULAR ± 1/2° | |
| DRAFT WHERE APPLICABLE MUST REMAIN WITHIN DIMENSIONS | |

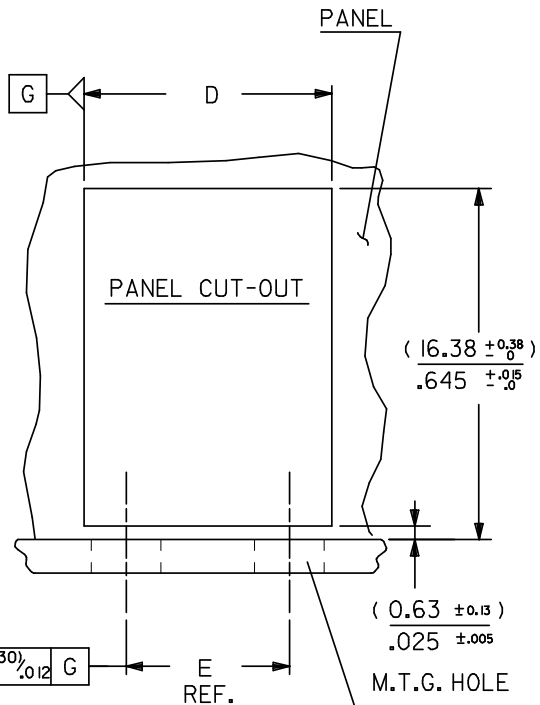
| | | | | |
|---|----------|--|--------------|------------------------|
| DIMENSION STYLE | | SCALE | DESIGN UNITS | THIRD ANGLE PROJECTION |
| MM/IN | | 4:1 | METRIC | |
| DRAWN BY | DATE | TITLE | | |
| DP | 86/10/23 | FLUSH MOUNT RIGHT ANGLE MODULAR JACK ASSEMBLY THROUGH HOLE VERSION | | |
| CHECKED BY | DATE | MOLEX INCORPORATED | | |
| APPROVED BY | DATE | MATERIAL NO. SEE CHART SHT 2 | | |
| DOCUMENT NO. SDA-95009-F | | SHEET NO. 1 OF 2 | | |
| THIS DRAWING CONTAINS INFORMATION THAT IS PROPRIETARY TO MOLEX INCORPORATED AND SHOULD NOT BE USED WITHOUT WRITTEN PERMISSION | | | | |

PART NUMBERS FOR JACK I RIB .

| | | | | | | | | | | |
|---|----------|----------------|------------|--------|------------|--------|------------|--------|------------|--------|
|  | TYPE | | POS. 4 | TOOLED | POS. 6 | TOOLED | POS. 6 | TOOLED | POS. 8 | TOOLED |
| | PLATING | | 4 CKTS. | TOOLED | 4 CKTS. | TOOLED | 6 CKTS. | TOOLED | 8 CKTS. | TOOLED |
| | FINISH 2 | MOLEX STANDARD | 95009-2441 | X | 95009-2641 | X | 95009-2661 | X | 95009-2881 | X |

PART NUMBERS FOR JACK NO RIB.

| | | | | | | | | | | |
|---|----------|----------------|------------|--------|------------|--------|------------|--------|------------|--------|
|  | TYPE | | POS. 4 | TOOLED | POS. 6 | TOOLED | POS. 6 | TOOLED | POS. 8 | TOOLED |
| | PLATING | | 4 CKTS. | TOOLED | 4 CKTS. | TOOLED | 6 CKTS. | TOOLED | 8 CKTS. | TOOLED |
| | FINISH 2 | MOLEX STANDARD | 95009-2447 | X | 95009-2647 | X | 95009-2667 | X | 95009-2887 | X |



| | | | | |
|-------------|-----------------------------|----------------|----------------|----------------|
| DIM. \ TYPE | POS. 4 | POS. 6 | | POS. 8 |
| | 4 CKTS. | 4 CKTS. | 6 CKTS. | 8 CKTS. |
| A | (11.18) / .440 | (13.21) / .520 | (13.21) / .520 | (15.24) / .600 |
| B | (7.62) / .300 | (10.16) / .400 | (10.16) / .400 | (11.43) / .450 |
| C | (3.81) / .150 | (3.81) / .150 | (6.35) / .250 | (8.89) / .350 |
| D | (± 0.38) / ± 0.15 | (11.56) / .455 | (13.59) / .535 | (13.59) / .535 |
| E | (± 0.10) / ± 0.04 | (7.62) / .300 | (10.16) / .400 | (10.16) / .400 |
| F | (± 0.10) / ± 0.04 | (3.81) / .150 | (3.81) / .150 | (6.35) / .250 |

| | | | | | | |
|--|---------------------------------------|--|-----------------|---|--------------|---|
| ADDED PART NO'S EC NO: E2008-0348 DRWN: DBYRNES 2008/01/14 CHKD: 2008/01/16 APPR: J WALLACE 2008/01/16 | QUALITY SYMBOLS | GENERAL TOLERANCES (UNLESS SPECIFIED) | DIMENSION STYLE | SCALE | DESIGN UNITS | THIRD ANGLE PROJECTION |
| | $\nabla = 0$ $\sphericalangle = 0$ | mm INCH 4 PLACES ± --- ± --- 3 PLACES ± --- ± .010 2 PLACES ± 0.25 ± .014 1 PLACE ± 0.35 ± --- ANGULAR ± 1/2° | MM/IN | 4:1 | METRIC | DRAWN BY DATE DP 87/04/22 CHECKED BY DATE APPROVED BY DATE |
| | | DRAFT WHERE APPLICABLE MUST REMAIN WITHIN DIMENSIONS | SEE CHART | TITLE FLUSH MOUNT RIGHT ANGLE MODULAR JACK ASSEMBLY THROUGH HOLE VERSION | | MOLEX INCORPORATED DOCUMENT NO. SDA-95009-F SHEET NO. 2 OF 2 |
| | | | | THIS DRAWING CONTAINS INFORMATION THAT IS PROPRIETARY TO MOLEX INCORPORATED AND SHOULD NOT BE USED WITHOUT WRITTEN PERMISSION | | |