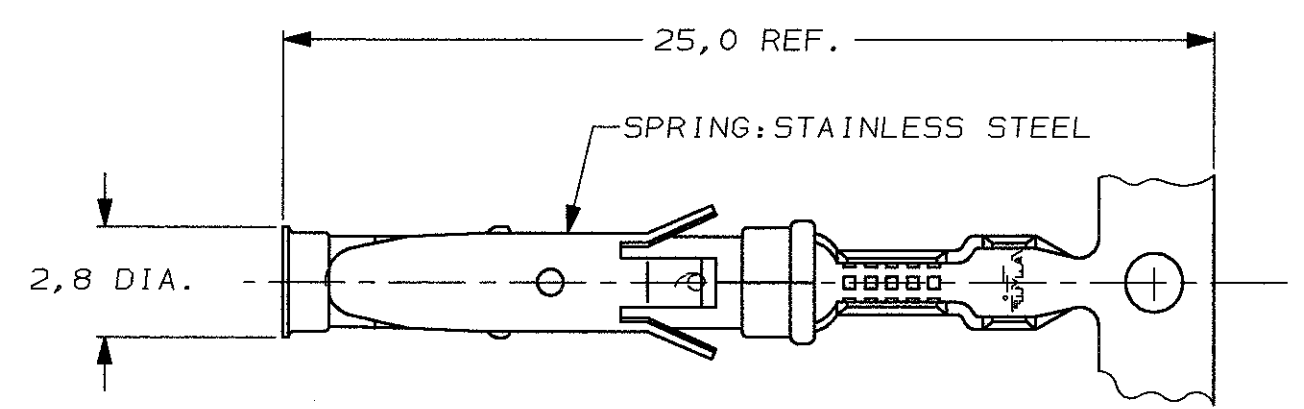
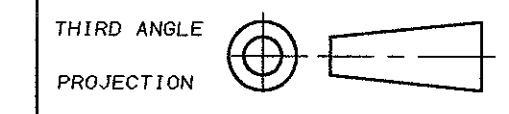
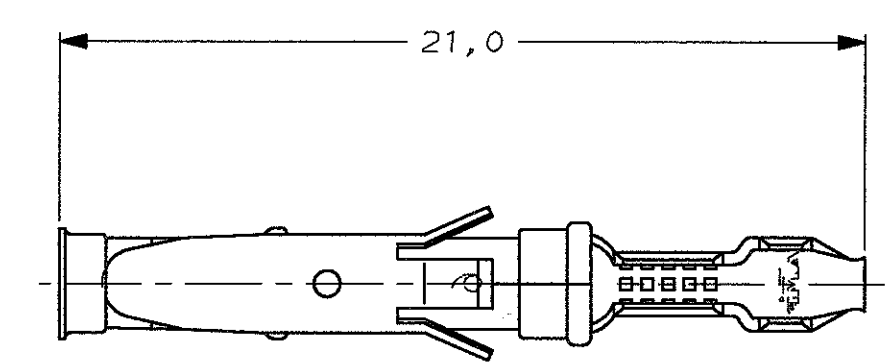


DO NOT SCALE
DIMENSIONS IN mm

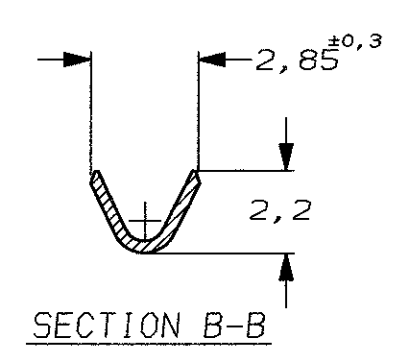
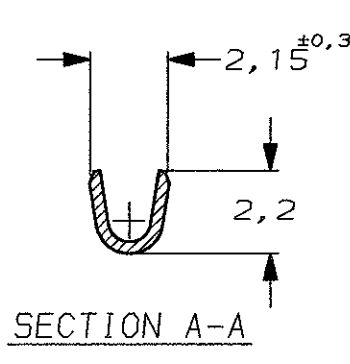
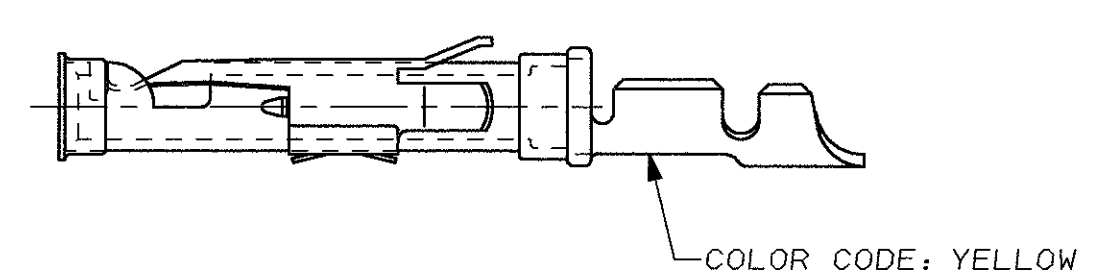
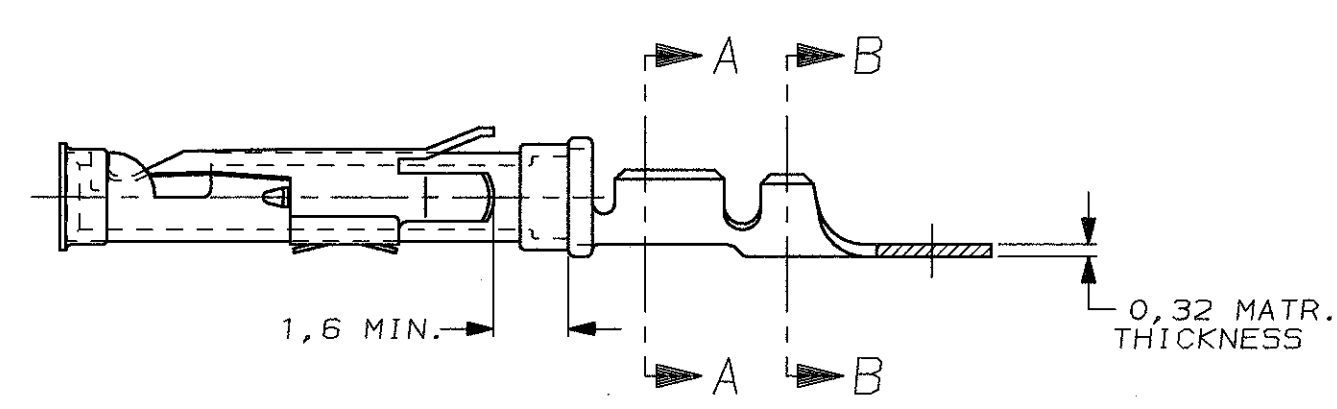
METRIC



STRIP



LOOSE-PIECE



WIRE RANGE : 0,20-0,50 mm² (24-20 AWG)
INSUL. RANGE : 1,1 -1,8 mm (.045-.070)

- NOTES :
- ① U.L. RECONIZED UNDER FILE E28476 VOL.VI SEC. I
 - ② FOR CRIMPDETAILS SEE AMP-SPEC. 114-19.000 .
 - ③ MEETS PRODUCTSPECIFICATION 108-10042.
 - ④ SPECIAL REEL WITH 200 PCS FOR REEL-FED HAND-TOOL
 - ⑤ OBSOLETE PARTS: OBSOLETE CIS STREAMLINING PER D.RENAUD/D.SINISI
 - ⑥ OBSOLETE

NOTES	MATERIAL	THICKNESS	AREA
②①	TIN	2,0 μm	ALL OVER
②①	NICKEL GOLD TIN/LEAD	0,8 μm	ALL OVER CONTACT AREA BARREL
②②	NICKEL GOLD GOLD	0,8 μm	ALL OVER CONTACT AREA ALL OVER
②③	NICKEL GOLD GOLD	1,2 μm	ALL OVER CONTACT AREA ALL OVER
②④	NICKEL SILVER TIN/LEAD	2,5 μm	ALL OVER CONTACT AREA BARREL
②⑤	SILVER NICKEL	1,5-2,5 μm	ALL OVER
②⑥	NICKEL	0,76 μm	ALL OVER
②⑦	SILVER	2,5 μm	ALL OVER
②⑧	NICKEL BRGHT TIN/LEAD	1,27 μm	ALL OVER
②⑨	NICKEL	1,27 μm	ALL OVER
③①	LUBRICATED		

PARTNUMBER	DIRECTION OF REEL	LOOSE-PIECE	MATERIAL	PLATING
1-163087-5	△A	⑥ 1-163088-4	BRASS	SILVER △28
1-163087-4	△A	⑥ 1-163088-4	BRASS	EL. TIN △31 △20
1-163087-3	△A	⑥ 1-163088-3	BRASS	BR. TIN/LEAD △30
5-163087-3	△A		BRASS	ECON. GOLD △21
5-163087-2	△A		BRASS	SEL. GOLD △22
5-163087-1	△A		BRASS	EL. TIN △20
1-163087-2	△B	⑥ 1-163088-1	BRASS	GOLD △23
1-163087-1	△A		BRASS	ECON. GOLD △21
1-163087-0	△B	1-163088-0	BRASS	ECON. GOLD △21
163087-9	△A		BRASS	EL. TIN △20
163087-8	△A		BRASS	SEL. GOLD △22
163087-2 ①	△B	163088-2	BRASS	SEL. GOLD △22
163087-1 ①	△B	163088-1	BRASS	EL. TIN △20

REVISED PER	ECO	KK	AEG	05JAN10	
AD1	REVISD PER - ECO-10-000030	KK	AEG	05JAN10	
AD	EBD0-0335-04	JMS	FWK	02/08/04	
U	EH-0002-99	D.K.	A.B.	04 JAN 98	
T	EH-1125-98	D.K.	R.V.	22 JUL 98	
S	EH-0302-94	JvL	MvD	03-05-94	
R	ECN H-9526	MvD	RD	06-02-92	
P	ECN H-9192	MvD	RD	09-10-91	
LTR.	REVISION RECORD	DR.	CHK.	DATE	
DR.:	-	CHK.:	-	APP.:	-
DATE:	-	DATE:	-	DATE:	-

CUSTOMER DRAWING FOR REFERENCE ONLY WILL NOT BE UPDATED

© COPYRIGHT 19- BY AMP HOLLAND B.V. ALL INTERNATIONAL RIGHTS RESERVED. AMP PRODUCTS MAY BE COVERED BY U.S. AND FOREIGN AND/OR PATENTS PENDING. THIS DRAWING IS UNPUBLISHED RELEASED FOR PUBLICATION _____, 19____

AMP AMP HOLLAND B.V. 's-Hertogenbosch, The Netherlands.

NAME _____

SOCKET TYPE III CONTACT
SIZE 16

DWG. No. 163087

REV. LTR. AD1 SHEET 1 OF 1 A3