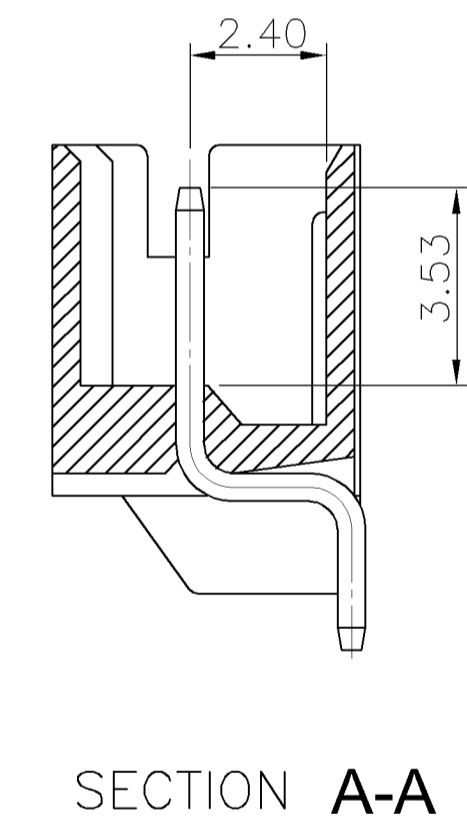
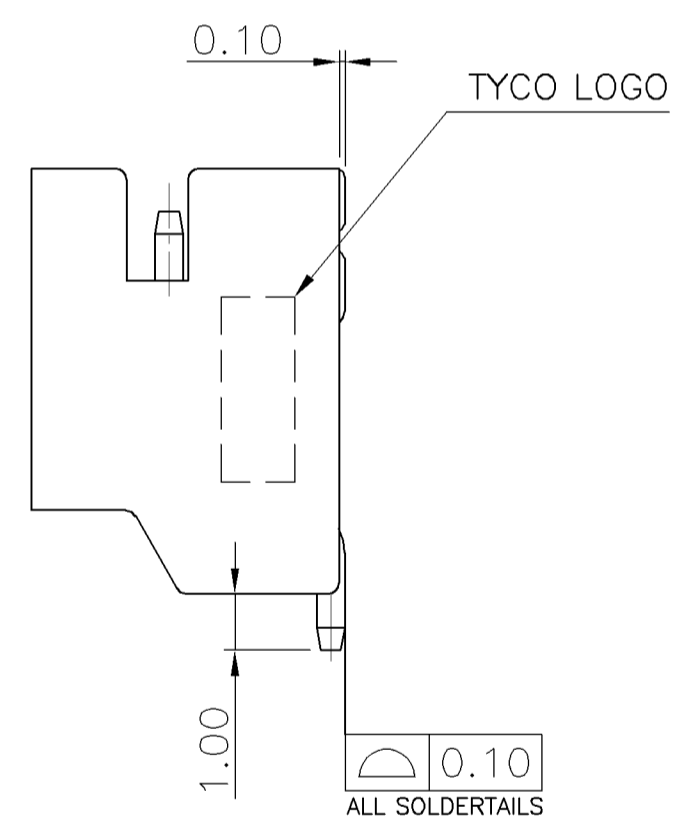
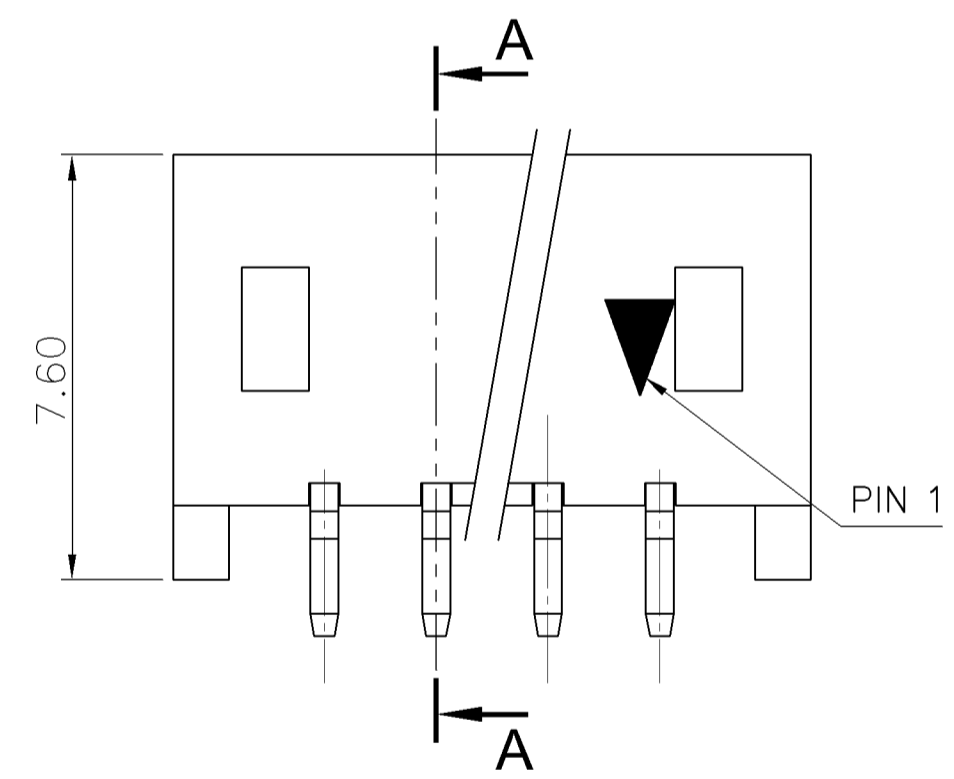
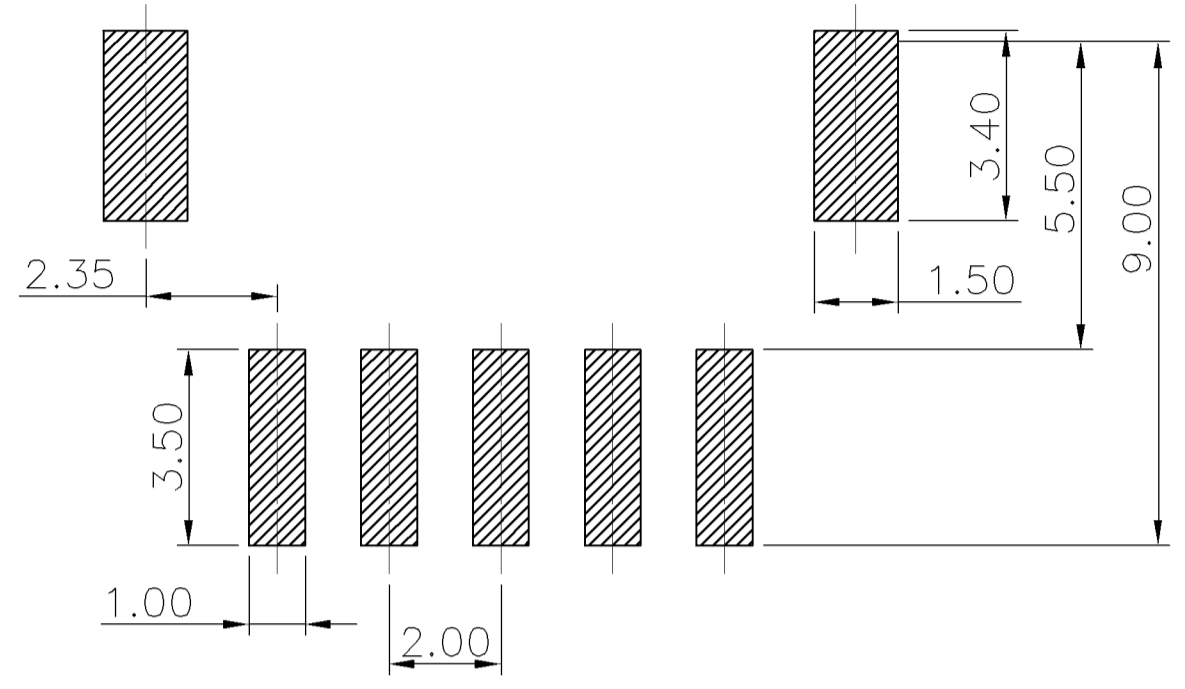
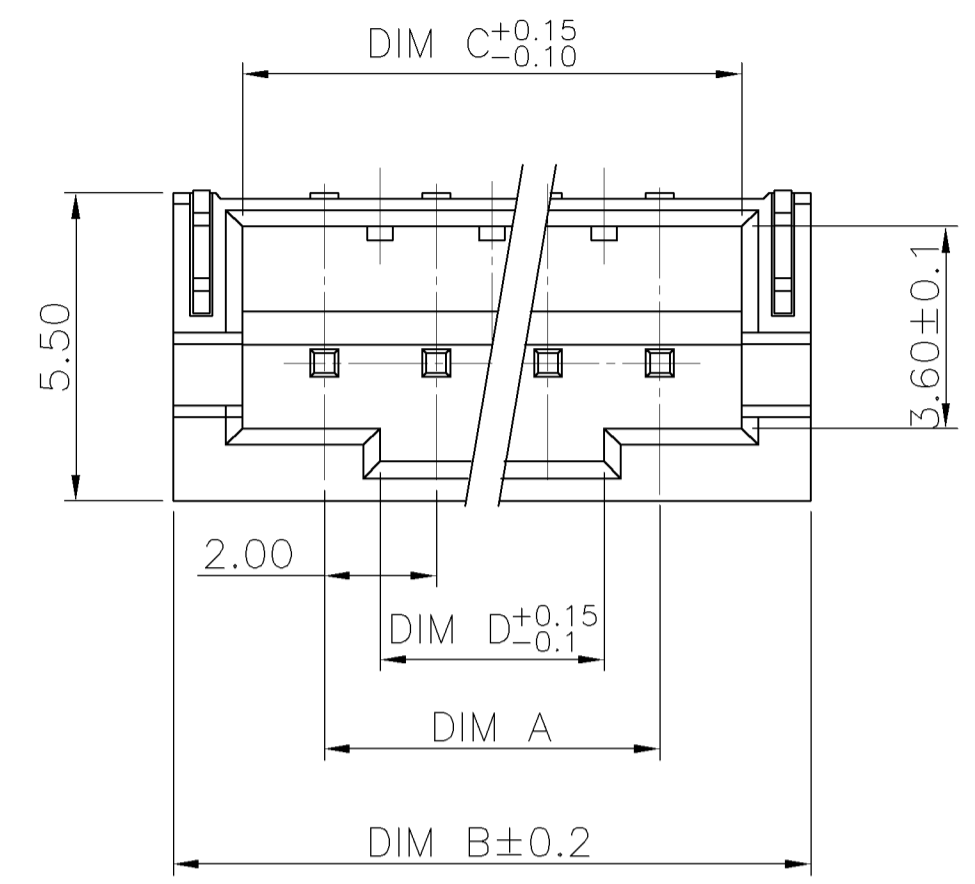


THIS DRAWING IS UNPUBLISHED. RELEASED FOR PUBLICATION
 © COPYRIGHT - BY TYCO ELECTRONICS CORPORATION. ALL RIGHTS RESERVED.

LOC	DIST	REVISIONS					
DW	-	P	LTR	DESCRIPTION	DATE	DWN	APVD
			A	RELEASED	03NOV06	OH	WK



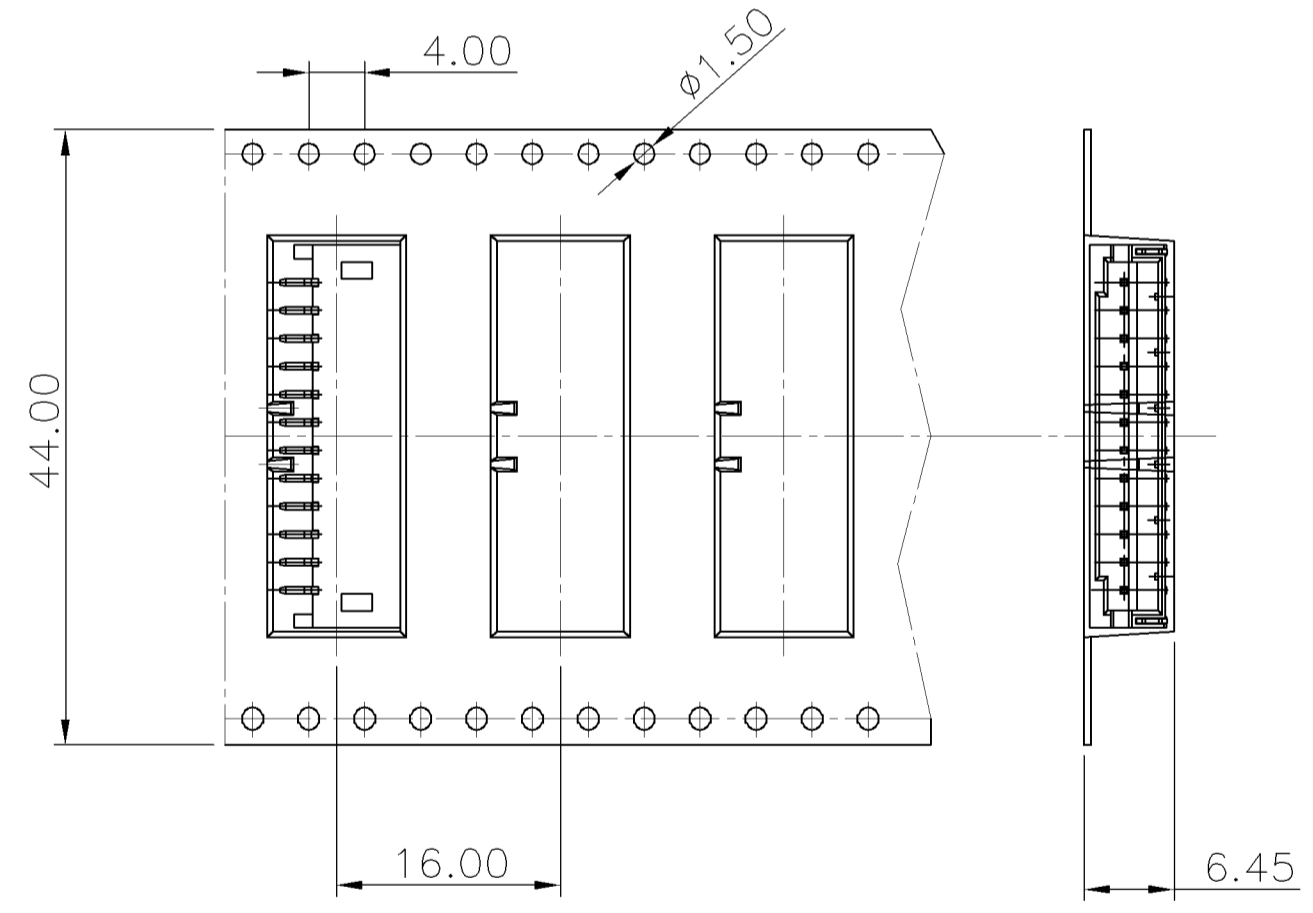
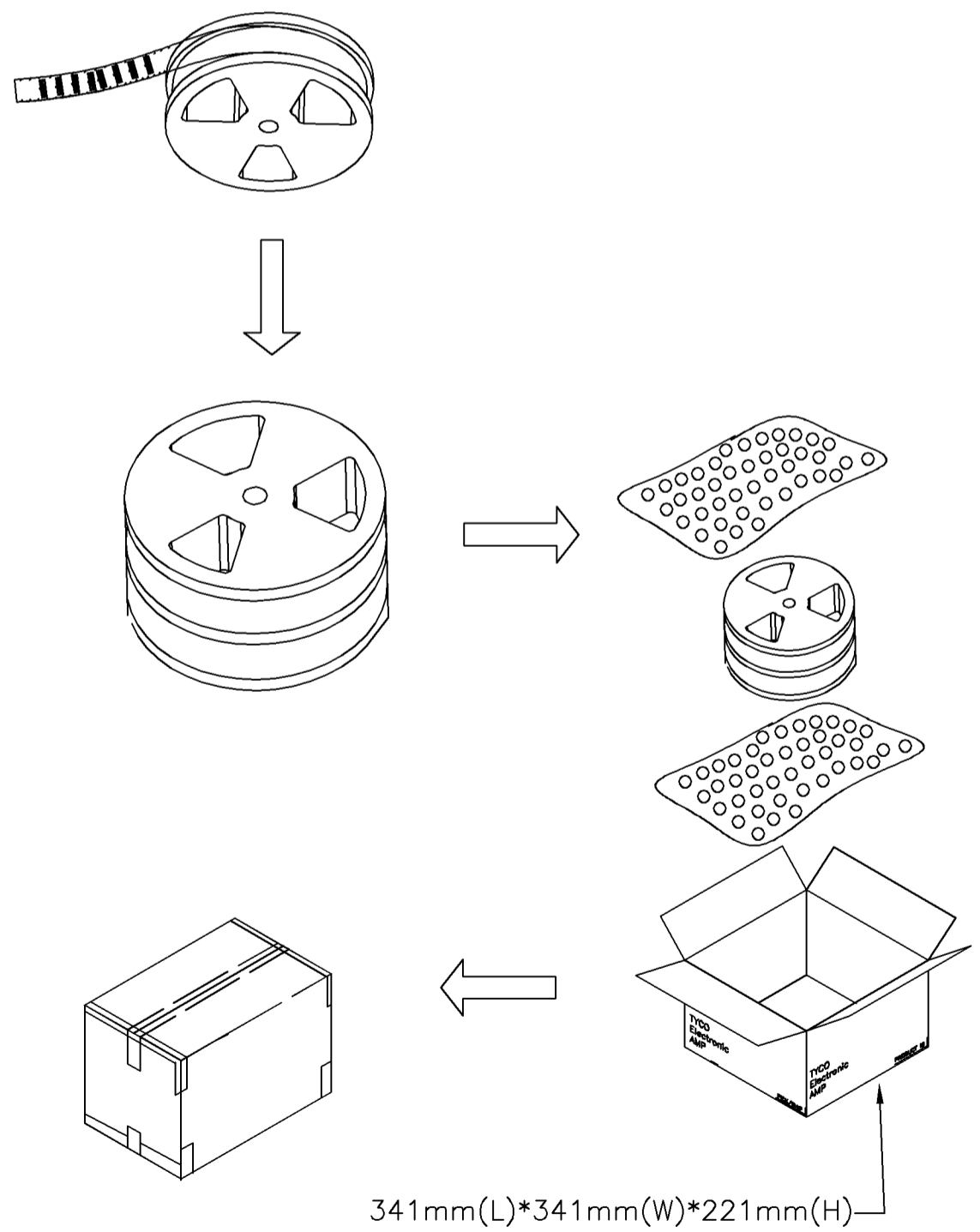
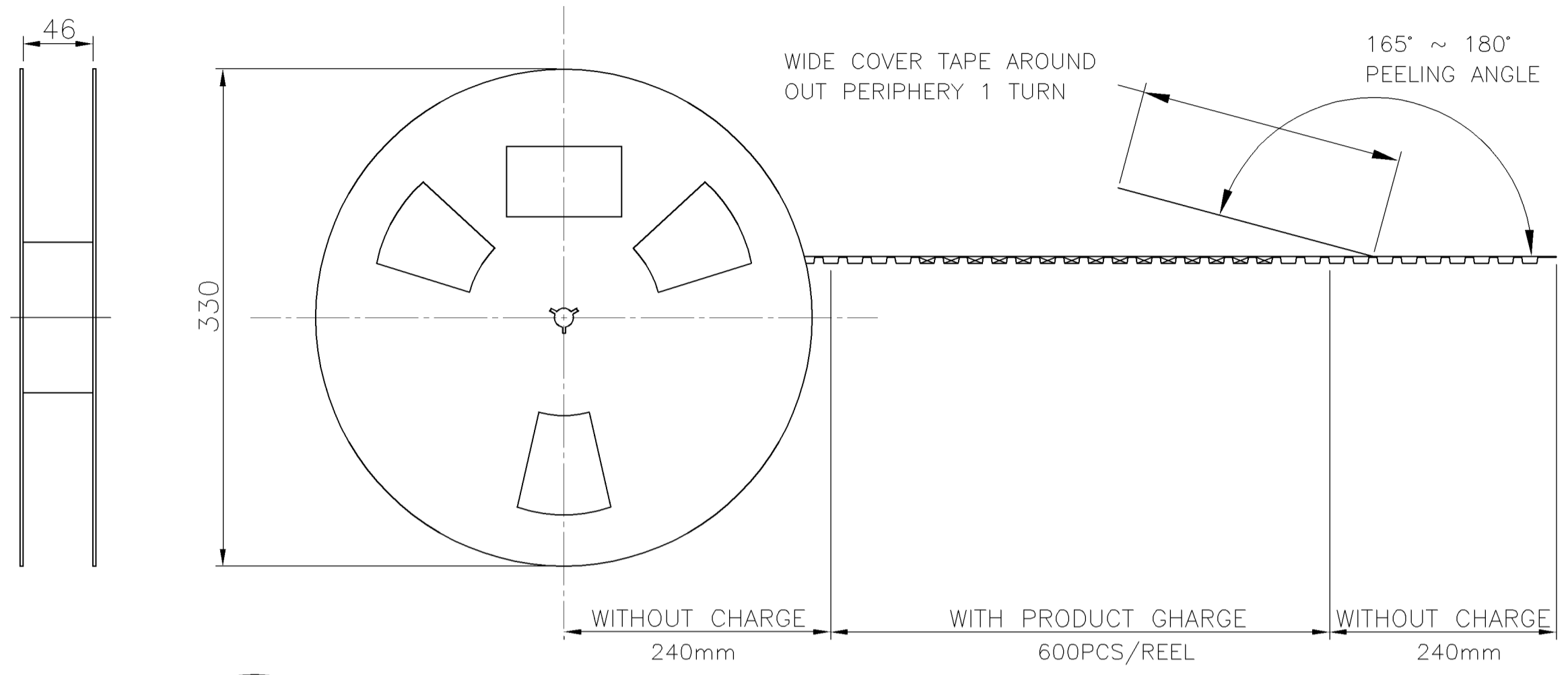
B	28.00	32.90	35.40	30.00	16P	3-1775469-6
	26.00	30.90	33.40	28.00	15P	3-1775469-5
	24.00	28.90	31.40	26.00	14P	3-1775469-4
	22.00	26.90	29.40	24.00	13P	3-1775469-3
	20.00	24.90	27.40	22.00	12P	3-1775469-2
	18.00	22.90	25.40	20.00	11P	3-1775469-1
	16.00	20.90	23.40	18.00	10P	3-1775469-0
	14.00	18.90	21.40	16.00	9P	2-1775469-9
	12.00	16.90	19.40	14.00	8P	2-1775469-8
	10.00	14.90	17.40	12.00	7P	2-1775469-7
	8.00	12.90	15.40	10.00	6P	2-1775469-6
	6.00	10.90	13.40	8.00	5P	2-1775469-5
	4.00	8.90	11.40	6.00	4P	2-1775469-4
	2.00	6.90	9.40	4.00	3P	2-1775469-3
	0.60	4.90	7.40	2.00	2P	2-1775469-2
	A	28.00	32.90	35.40	30.00	16P
26.00		30.90	33.40	28.00	15P	1-1775469-5
24.00		28.90	31.40	26.00	14P	1-1775469-4
22.00		26.90	29.40	24.00	13P	1-1775469-3
20.00		24.90	27.40	22.00	12P	1-1775469-2
18.00		22.90	25.40	20.00	11P	1-1775469-1
16.00		20.90	23.40	18.00	10P	1-1775469-0
14.00		18.90	21.40	16.00	9P	1775469-9
12.00		16.90	19.40	14.00	8P	1775469-8
10.00		14.90	17.40	12.00	7P	1775469-7
8.00		12.90	15.40	10.00	6P	1775469-6
6.00		10.90	13.40	8.00	5P	1775469-5
4.00		8.90	11.40	6.00	4P	1775469-4
2.00		6.90	9.40	4.00	3P	1775469-3
0.60		4.90	7.40	2.00	2P	1775469-2
THICKNESS		DIM D	DIM C	DIM B	DIM A	POS

NOTE:
 1. MATERIAL :
 HOUSING : PA9T, UL 94V-0, COLOR: NATURAL.
 CONTACT : BRASS, THICKNESS=0.50mm.
 2. FINISH:
 CONTACT : Δ 2um [80u"] MIN. MATTE TIN PLATED OVER
 1.27um [50u"] MIN. NICKEL UNDERPLATED ALL OVER.
 Δ GOLD FLASH OVER 1.27um [50u"] MIN. NICKEL UNDERPLATED ALL OVER.
 3. REFLOW SOLDER CAPABLE TO 260°C PER TYCO SPEC 109-201, CONDITION B.

THIS DRAWING IS A CONTROLLED DOCUMENT.		DWN O. HU 01NOV2006	Tyco Holdings (Bermuda) VII Ltd. Taiwan Branch			
DIMENSIONS: MM		CHK S. HOU 01NOV2006				
TOLERANCES UNLESS OTHERWISE SPECIFIED:		APVD W.J. KE 01NOV2006	NAME			
0 PLC $\pm -$ 1 PLC ± 0.25 2 PLC ± 0.15 3 PLC ± 0.05 4 PLC $\pm -$ ANGLES $\pm 3^\circ$		PRODUCT SPEC	HPI CONN., 2.0MM PITCH, R/A, SMT TYPE			
MATERIAL SEE NOTE		108-57100	SIZE	CAGE CODE	DRAWING NO	RESTRICTED TO
FINISH SEE NOTE		QUALIFICATION TEST REPORT	A300779		C=1775469	-
		501-57058	CUSTOMER DRAWING		SCALE -	SHEET 1 OF 2
		WEIGHT --			REV A	

THIS DRAWING IS UNPUBLISHED. RELEASED FOR PUBLICATION
 © COPYRIGHT BY TYCO ELECTRONICS CORPORATION. ALL RIGHTS RESERVED.

LOC	DIST	REVISIONS			
P	LTR	DESCRIPTION	DATE	DWN	APVD
		SEE SHEET 1.			



1,800	600	16P	3-1775469-6
1,800	600	15P	3-1775469-5
1,800	600	14P	3-1775469-4
1,800	600	13P	3-1775469-3
2,400	600	12P	3-1775469-2
2,400	600	11P	3-1775469-1
2,400	600	10P	3-1775469-0
2,400	600	9P	2-1775469-9
2,400	600	8P	2-1775469-8
2,400	600	7P	2-1775469-7
3,000	600	6P	2-1775469-6
3,000	600	5P	2-1775469-5
3,000	600	4P	2-1775469-4
3,000	600	3P	2-1775469-3
3,000	600	2P	2-1775469-2
1,500	600	16P	1-1775469-6
1,800	600	15P	1-1775469-5
1,800	600	14P	1-1775469-4
1,800	600	13P	1-1775469-3
2,400	600	12P	1-1775469-2
2,400	600	11P	1-1775469-1
2,400	600	10P	1-1775469-0
2,400	600	9P	1775469-9
2,400	600	8P	1775469-8
2,400	600	7P	1775469-7
3,000	600	6P	1775469-6
3,000	600	5P	1775469-5
3,000	600	4P	1775469-4
3,000	600	3P	1775469-3
3,000	600	2P	1775469-2
PCS/CARTON	PCS/REEL	POS	PART NUMBER

THIS DRAWING IS A CONTROLLED DOCUMENT.		DWN O. HU 01NOV2006	Tyco Holdings (Bermuda) VII Ltd. Taiwan Branch	
DIMENSIONS: MM		CHK S. HOU 01NOV2006		
TOLERANCES UNLESS OTHERWISE SPECIFIED:		APVD W.J. KE 01NOV2006	NAME	
0 PLC ± - 1 PLC ± - 2 PLC ± - 3 PLC ± - 4 PLC ± - ANGLES ± -		PRODUCT SPEC	HPI CONN., 2.0MM PITCH, R/A, SMT TYPE	
MATERIAL		APPLICATION SPEC	SIZE A3	RESTRICTED TO
FINISH		WEIGHT -	CAGE CODE	DRAWING NO C-1775469
CUSTOMER DRAWING			SCALE -	SHEET 2 OF 2 REV A