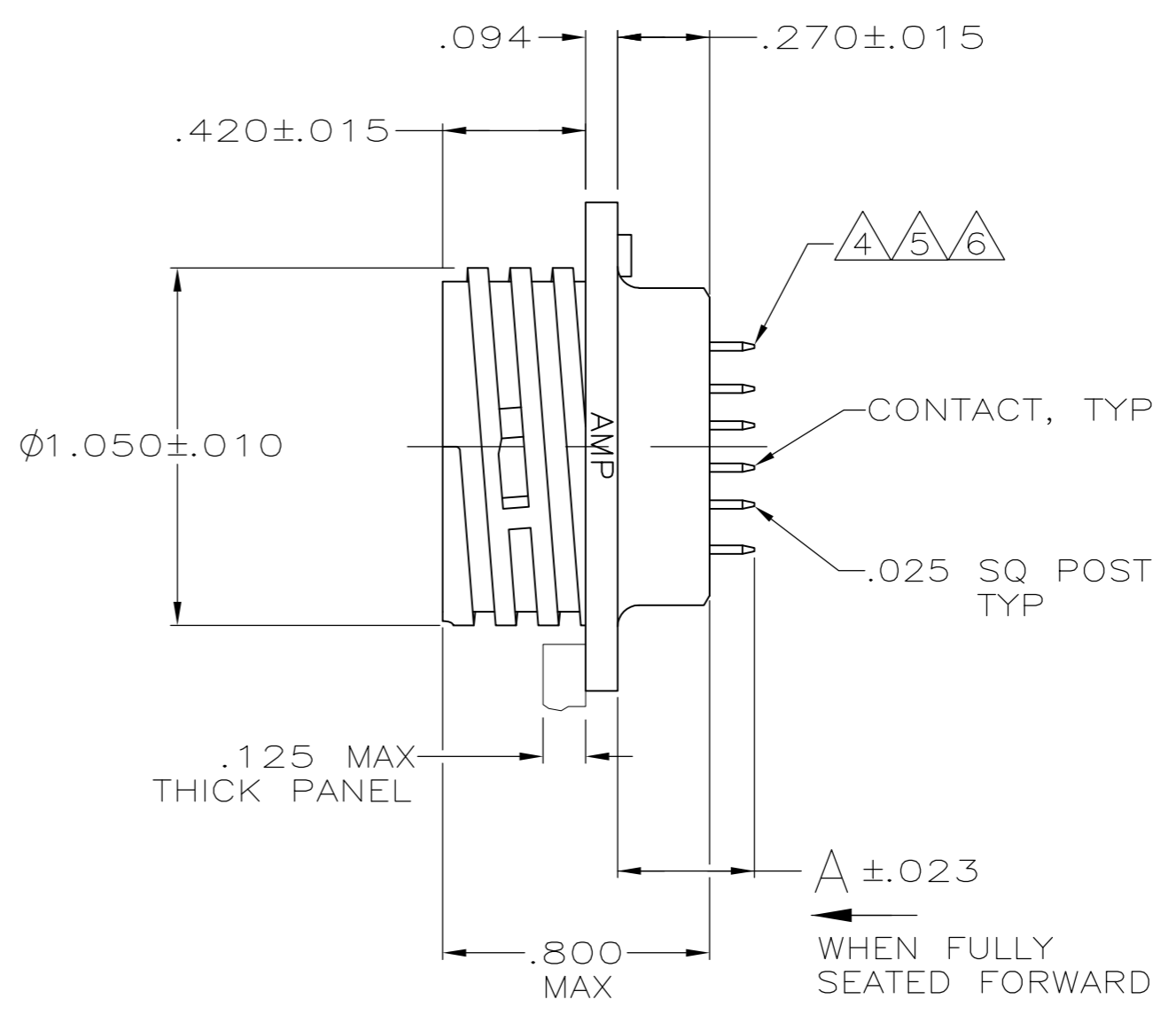
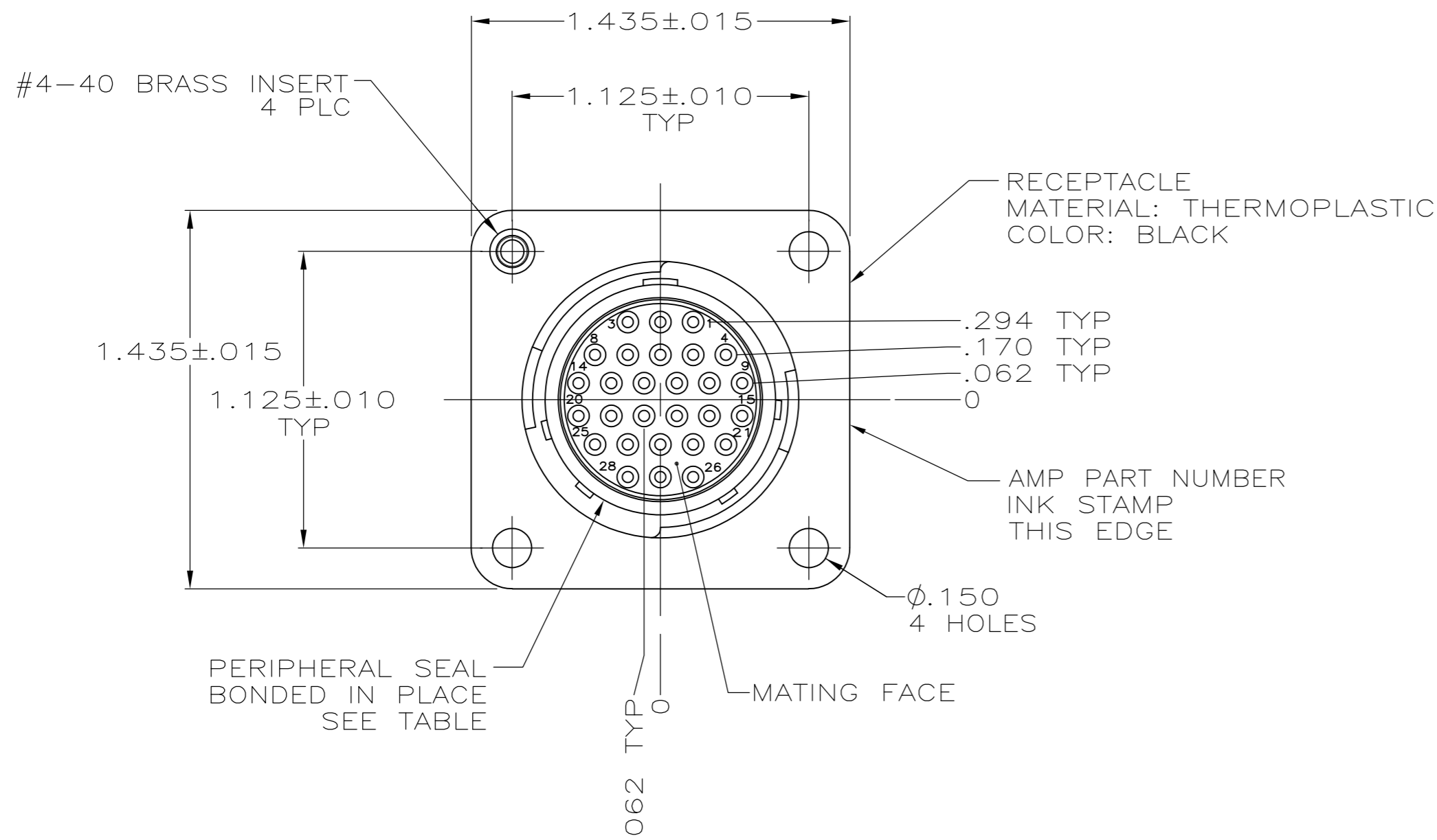


THIS DRAWING IS UNPUBLISHED. RELEASED FOR PUBLICATION
 © COPYRIGHT BY TYCO ELECTRONICS CORPORATION. ALL RIGHTS RESERVED.

LOC	DIST	REVISIONS					
FT	0	P	LTR	DESCRIPTION	DATE	DWN	APVD
		AD1		REVISED PER ECO-06-3414	2/22/06	SS	SH
		AD2		REVISED PER ECO-09-020935	11SEP09	KK	AEG



1. CONTACT CAVITIES IDENTIFIED BY CHARACTERS ON FRONT AND REAR FACE OF CONNECTOR.
2. GOLD FLASH FOR A LENGTH OF .100 MIN FROM MATING END, .000100 MIN TIN-LEAD FOR A LENGTH OF DIMENSION 'A' FROM OPPOSITE END, ALL OVER .000050 MIN NICKEL.
3. .000030 MIN GOLD FOR A LENGTH OF .100 MIN FROM MATING END, .000100 MIN TIN-LEAD FOR A LENGTH OF DIMENSION 'A' FROM OPPOSITE END, ALL OVER .000050 MIN NICKEL.
4. CONTACTS TO BE SELECTIVELY LOADED INTO POSITIONS 1, 3, 4, 8, 14, 15, 21, 25, 26, 27 AND 28; FOR -1 ONLY.
5. CONNECTOR TO BE FULLY LOADED FOR -2, -3, -6, AND -8.
6. CONTACTS TO BE SELECTIVELY LOADED INTO POSITIONS 1 THRU 27; FOR -9 ONLY.
7. .000030 MIN GOLD FOR A LENGTH OF .100 MIN FROM MATING END, .000100 MIN TIN FOR A LENGTH OF DIMENSION 'A' FROM OPPOSITE END, ALL OVER .000050 MIN NICKEL.
8. GOLD FLASH FOR A LENGTH OF .100 MIN FROM MATING END, .000100 MIN TIN-LEAD FOR A LENGTH OF DIMENSION 'A' FROM OPPOSITE END, ALL OVER .000050 MIN NICKEL.
9. OBSOLETE PARTS: OBSOLETE CIS STREAMLINING PER D.RENAUD/D.SINISI

	NO	YES	8	.851	2-207216-1
8	NO	YES	8	.402	2-207216-0
OBSOLETE	NO	YES	8	.402	1-207216-9
	YES	NO	8	.851	1-207216-8
	NO	NO	7	.629	1-207216-7
	NO	NO	8	.402	1-207216-6
8	NO	NO	7	.629	1-207216-4
OBSOLETE	NO	YES	3	.629	1-207216-3
PRELIMINARY	NO	YES	3	.851	1-207216-2
PRELIMINARY	NO	YES	2	.402	1-207216-1
8	NO	YES	2	.402	1-207216-0
OBSOLETE	NO	YES	2	.851	207216-9
	YES	NO	2	.851	207216-9
	NO	NO	3	.629	207216-8
OBSOLETE	NO	YES	3	.629	207216-6
OBSOLETE	NO	YES	2	.402	207216-3
	NO	NO	2	.402	207216-2
OBSOLETE	NO	NO	2	.402	207216-1

THIS DRAWING IS A CONTROLLED DOCUMENT.		DWN 5-22-91 J. GALLUCCI BG	Tyco Electronics Corporation Harrisburg, PA 17105-3608	
DIMENSIONS: INCHES		CHK 4-14-92 W.G. LENKER	NAME	
TOLERANCES UNLESS OTHERWISE SPECIFIED:		APVD 4-14-92 K. BEAVER	PRODUCT SPEC	
0 PLC ± -		108-10024		
1 PLC ± -		APPLICATION SPEC		
2 PLC ± -		-		
3 PLC ± .005		WEIGHT -		
4 PLC ± -		SIZE A2		
ANGLES ± -		CAGE CODE 00779		
FINISH		DRAWING NO C=207216		
SEE CALLOUT		RESTRICTED TO -		
SEE TABLE		SCALE 2:1 SHEET 1 of 1 REV AD2		
MATERIAL		CUSTOMER DRAWING		