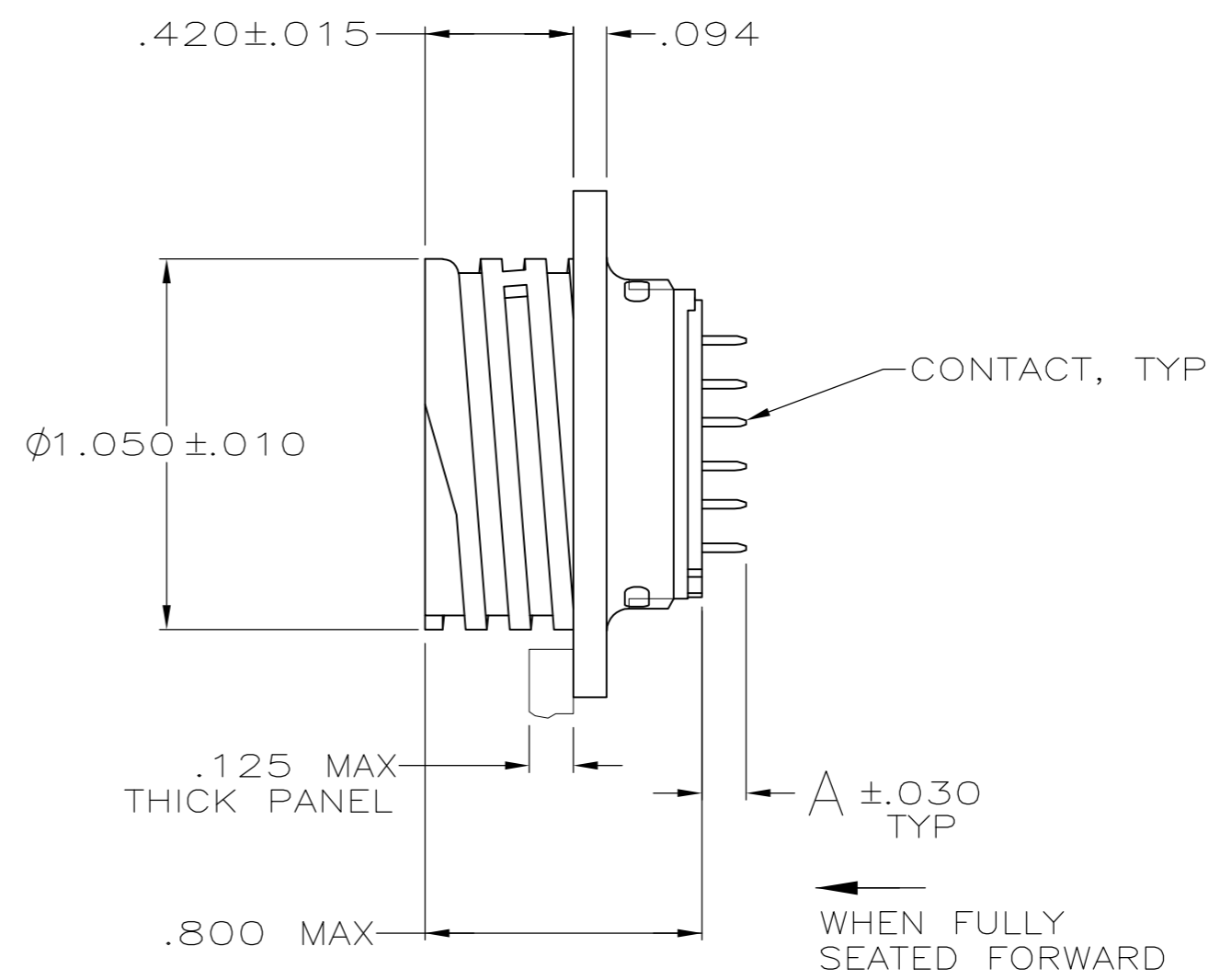
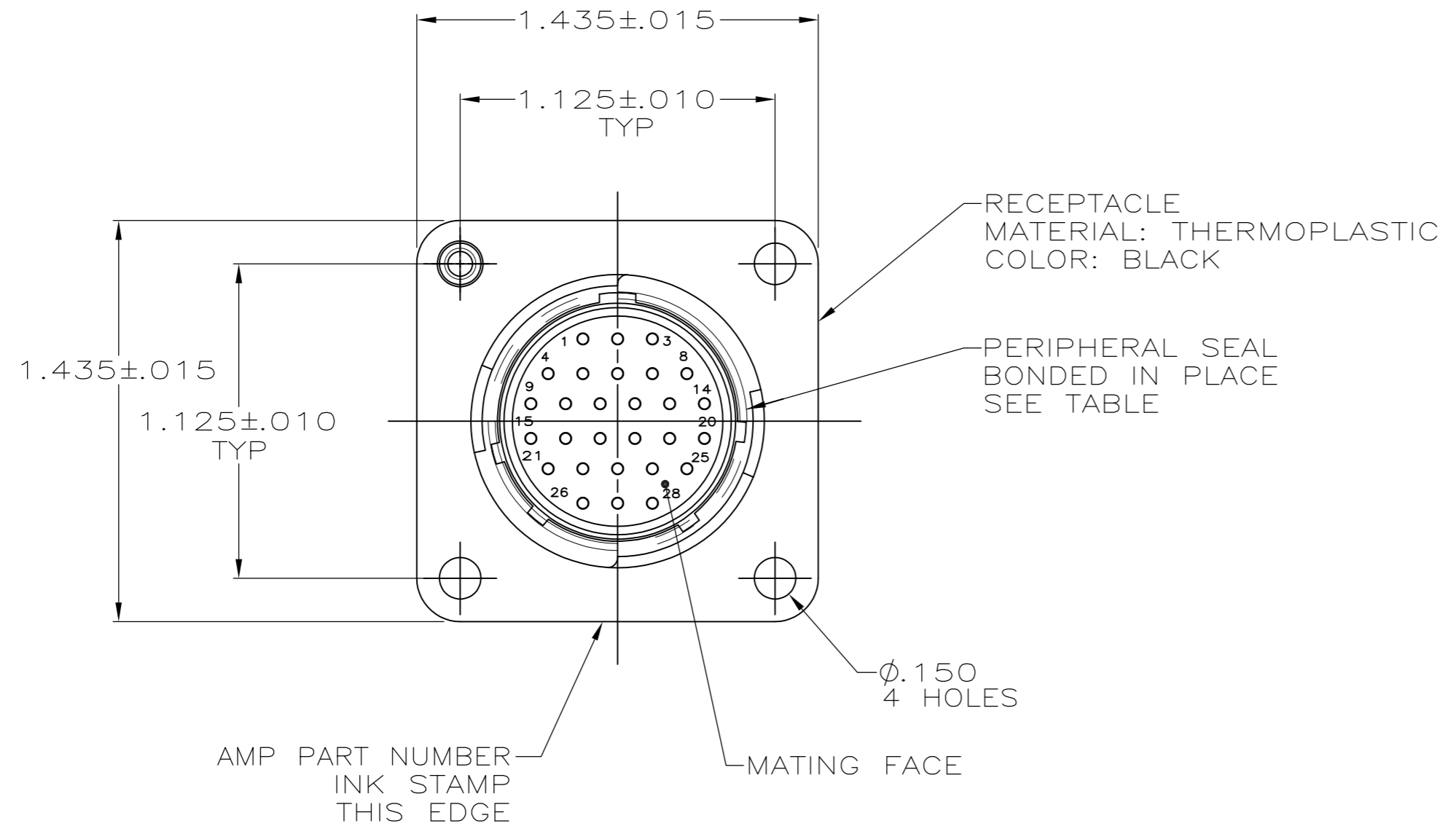


THIS DRAWING IS UNPUBLISHED. RELEASED FOR PUBLICATION
 © COPYRIGHT BY TYCO ELECTRONICS CORPORATION. ALL RIGHTS RESERVED.

LOC	DIST	REVISIONS					
FT	0	P	LTR	DESCRIPTION	DATE	DWN	APVD
		K		REVISED PER ECO-07-009992	4/30/07	SS	SH

- CONTACT CAVITIES IDENTIFIED BY CHARACTERS ON FRONT FACE OF CONNECTOR.
- Δ .000030 MIN GOLD FOR A LENGTH OF .100 MIN FROM MATING END, .000100 MIN TIN-LEAD FOR A LENGTH OF "A" MIN FROM OPPOSITE END, ALL OVER .000050 MIN NICKEL.
- RECOMMENDED HOLE SIZE .047 DIA FOR P.C. BOARD.
- Δ .000030 MIN GOLD FOR A LENGTH OF .100 MIN FROM MATING END, .000100 MIN TIN FOR A LENGTH OF "A" MIN FROM OPPOSITE END, ALL OVER .000050 MIN NICKEL.



CONTACT FINISH	PERIPHERAL SEAL	THREADED INSERT	DIM A	PART NUMBER
Δ	NO	YES	.125	1-207369-4
Δ	NO	NO	.352	1-207369-3
Δ	NO	NO	.125	1-207369-1
Δ	YES	YES	.796	207369-5
Δ	NO	YES	.125	207369-4
Δ	NO	NO	.352	207369-3
Δ	NO	NO	-	207369-2
Δ	NO	NO	.125	207369-1

OBSOLETE

THIS DRAWING IS A CONTROLLED DOCUMENT.

DWN J. GALLUCCI BG 5-22-91	 Tyco Electronics Corporation Harrisburg, Pa 17105-3608		
CHK W.G. LENKER 4-14-92			
APVD K. BEAVER 4-14-92	NAME		
PRODUCT SPEC 108-10024	RECEPTACLE ASSEMBLY, POSTED, STD SEX, SERIES 2, 17-28, CPC		
APPLICATION SPEC	SIZE CAGE CODE DRAWING NO RESTRICTED TO		
MATERIAL SEE CALLOUT	WEIGHT -	A2 00779 C-207369	-
TOLERANCES UNLESS OTHERWISE SPECIFIED:	FINISH -	CUSTOMER DRAWING	SCALE 2:1 SHEET 1 OF 1 REV K