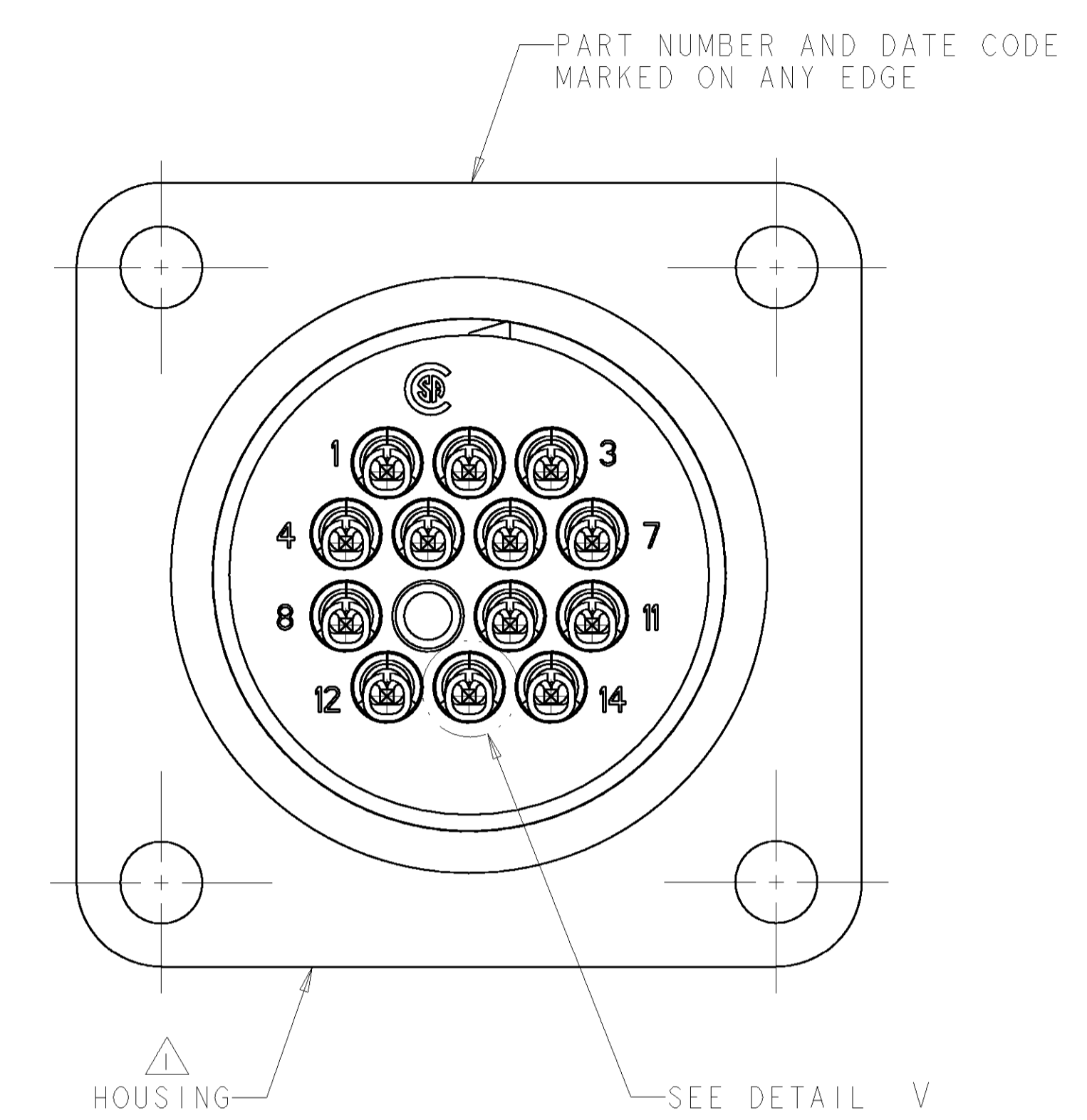
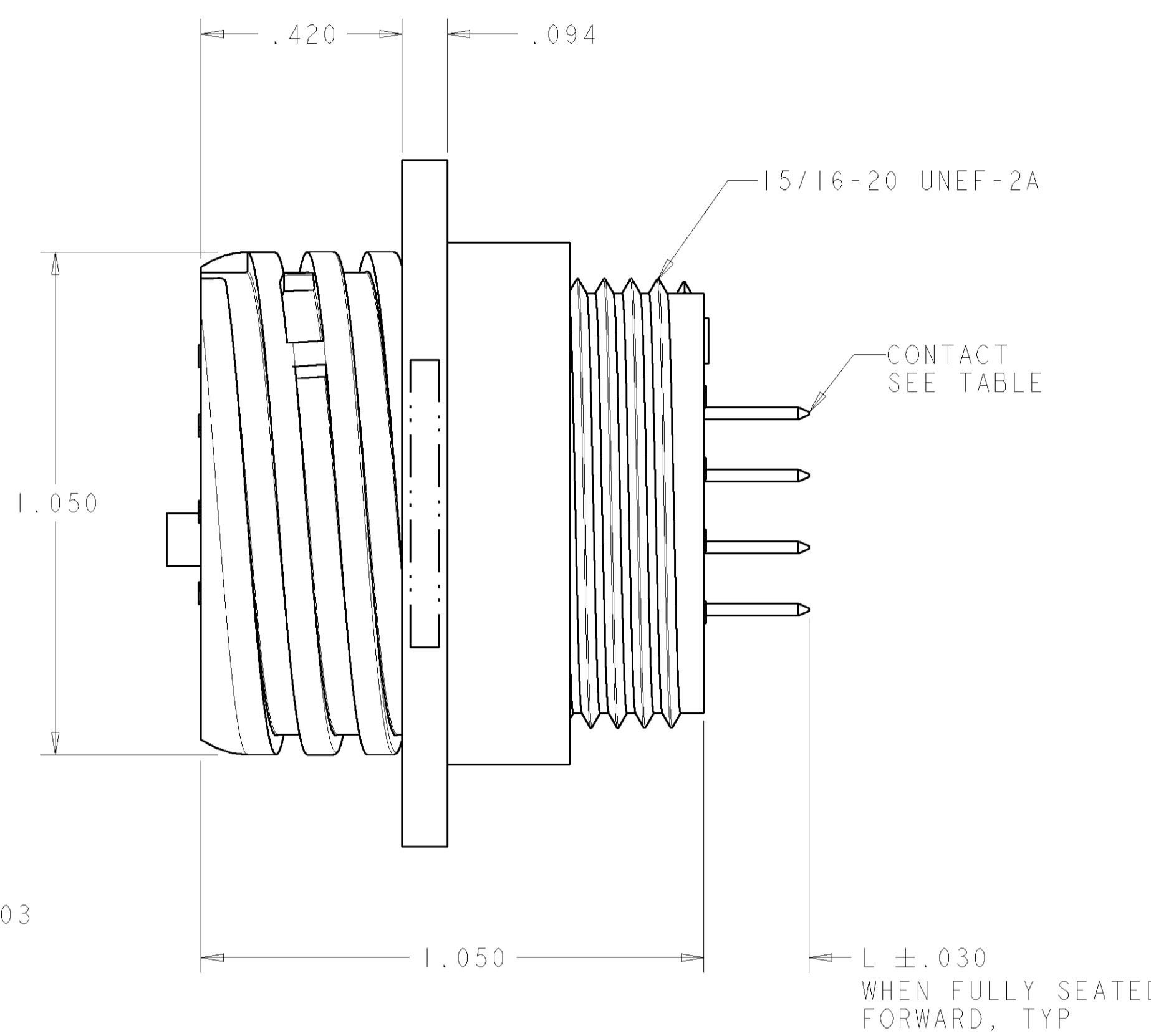
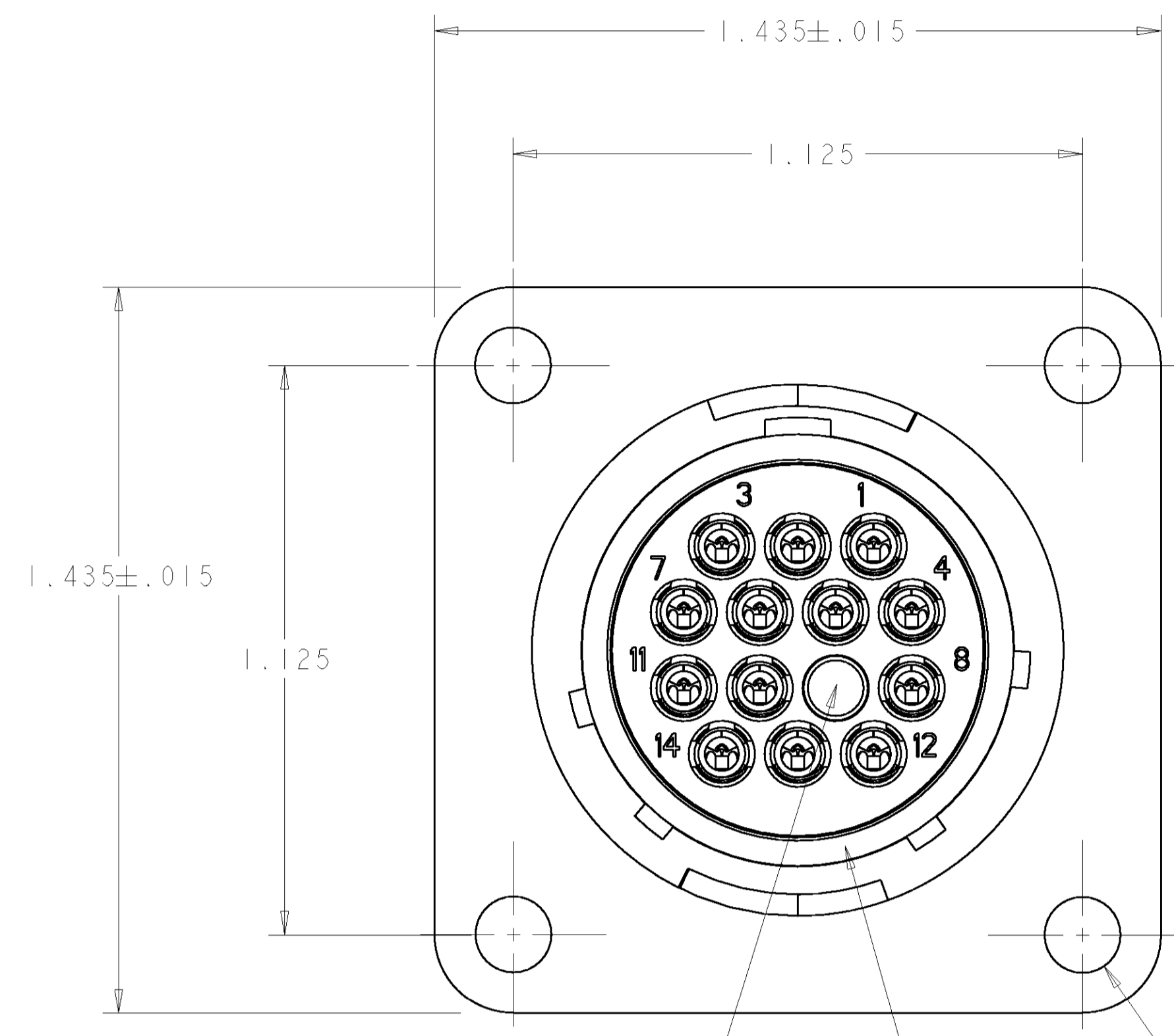
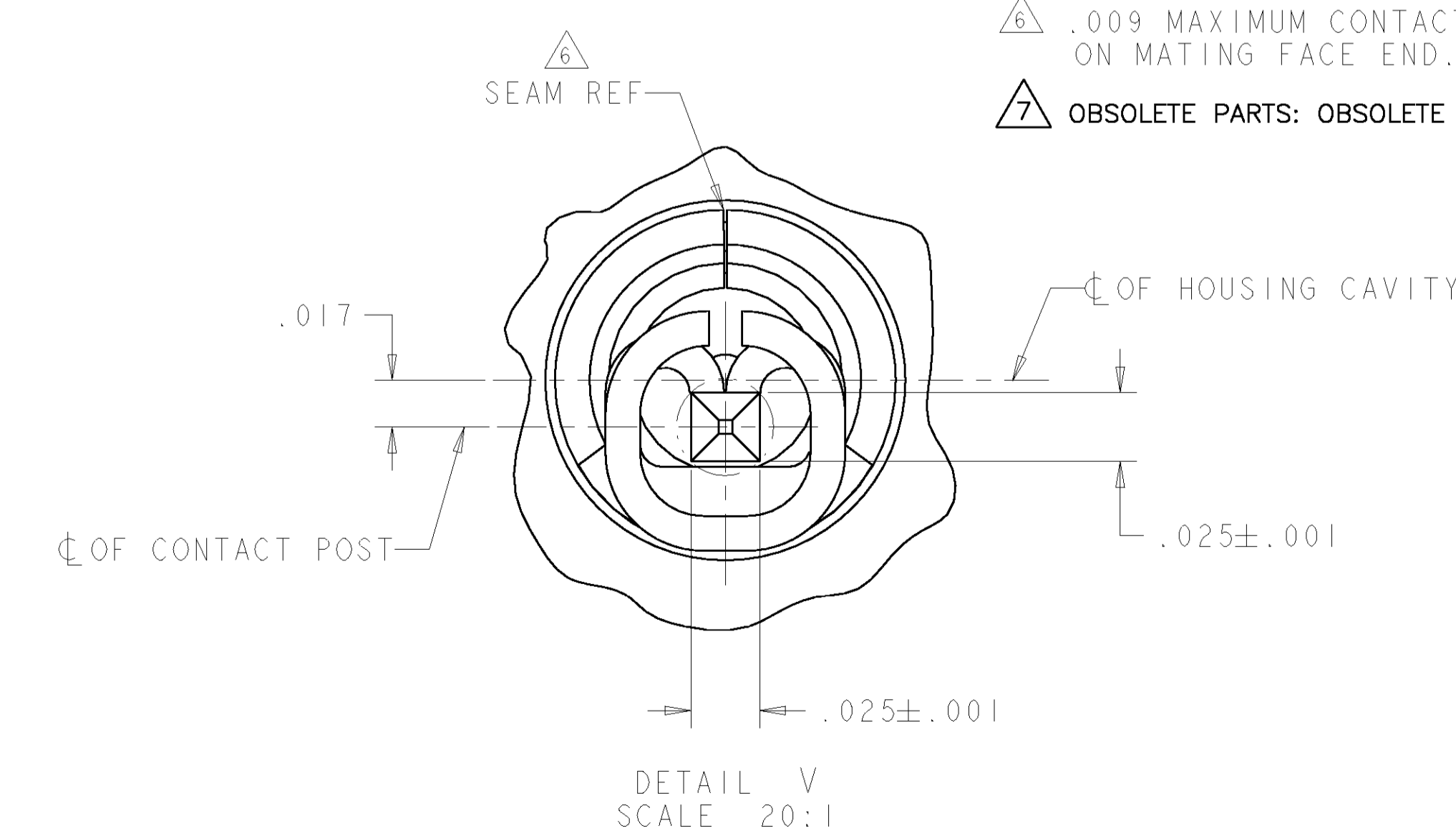


LOC	DIST	REVISIONS					
FT	0	P	LTR	DESCRIPTION	DATE	DWN	APVD
		L		REVISED EC 063B-0890-03	24NOV2003	SW	SH
		M		REVISED EC 063B-0224-04	22MAR2004	SW	SH
		N		REVISED EC 063B-0081-05	21FEB2005	SW	HW
		P		ADDED 1-7, 1-8 ECO-06-002610	15FEB2006	SW	SH
		P1		REVISED PER ECO-09-025699	20JAN10	KK	HMR



KEYING PLUG SEE TABLE
 PERIPHERAL SEAL SEE TABLE
 Ø .150±.003 4 PLC

- 1 HOUSING: NYLON, UL 94 V-0 RATED, BLACK.
- 2 CONTACT:
 BODY - BRASS, .000100 MIN TIN-LEAD OVER .000050 MIN NICKEL.
 POST - BRASS, .000100 MIN TIN-LEAD OVER .000050 MIN NICKEL.
- 3 CONTACT:
 BODY - BRASS, .000100 MIN TIN OVER .000050 MIN NICKEL.
 POST - BRASS, .000100 MIN TIN OVER .000050 MIN NICKEL.
- 4 PERIPHERAL SEAL: ELASTOMER, GRAY.
- 5 KEYING PLUG: NYLON, NATURAL.
- 6 .009 MAXIMUM CONTACT LEAD-IN SEAM GAP PERMISSIBLE ON MATING FACE END.
- 7 OBSOLETE PARTS: OBSOLETE CIS STREAMLINING PER D.RENAUD/D.SINISI



STATUS	L	KEYING PLUG	PERIPHERAL SEAL	FINISH	QTY	SELECT LOAD IN POSITIONS	PART NUMBER
				3	13	1-5,7-14	1-213825-8
				3	14	ALL	1-213825-7
OBSOLETE				3	11	1,3,4,6,8-14	1-213825-6
OBSOLETE				3	13	1-8,10-14	1-213825-5
OBSOLETE				3	13	1-5,7-14	1-213825-4
PRELIMINARY				2	12	1,2,4,5,7-14	1-213825-3
				2	13	1-8,10-14	1-213825-2
OBSOLETE				2	13	1-5,7-14	1-213825-1
				2	13	1-5,7-14	1-213825-0
				2	11	1,3,4,6,8-14	213825-9
OBSOLETE				2	13	1-8,10-14	213825-5
				2	13	1-5,7-14	213825-4
OBSOLETE				2	13	1-5,7-14	213825-3
OBSOLETE				2	11	1,3,4,6,8-14	213825-2
				2	14	ALL	213825-1

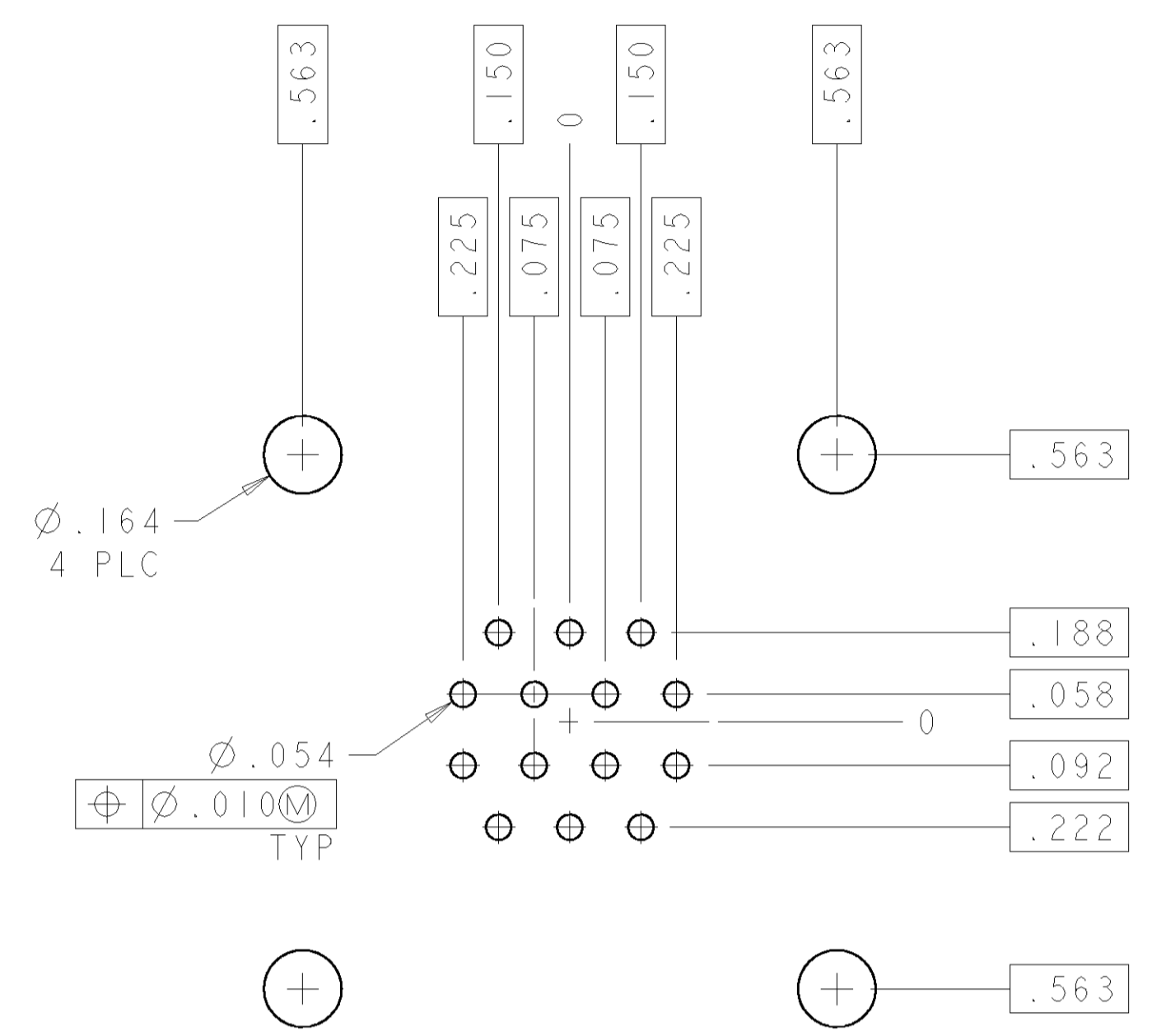
AMP Tyco Electronics
 Harrisburg, PA 17105-3608

RECEPTACLE ASSEMBLY, POSTED, SERIES 1, REVERSE SEX, CPC

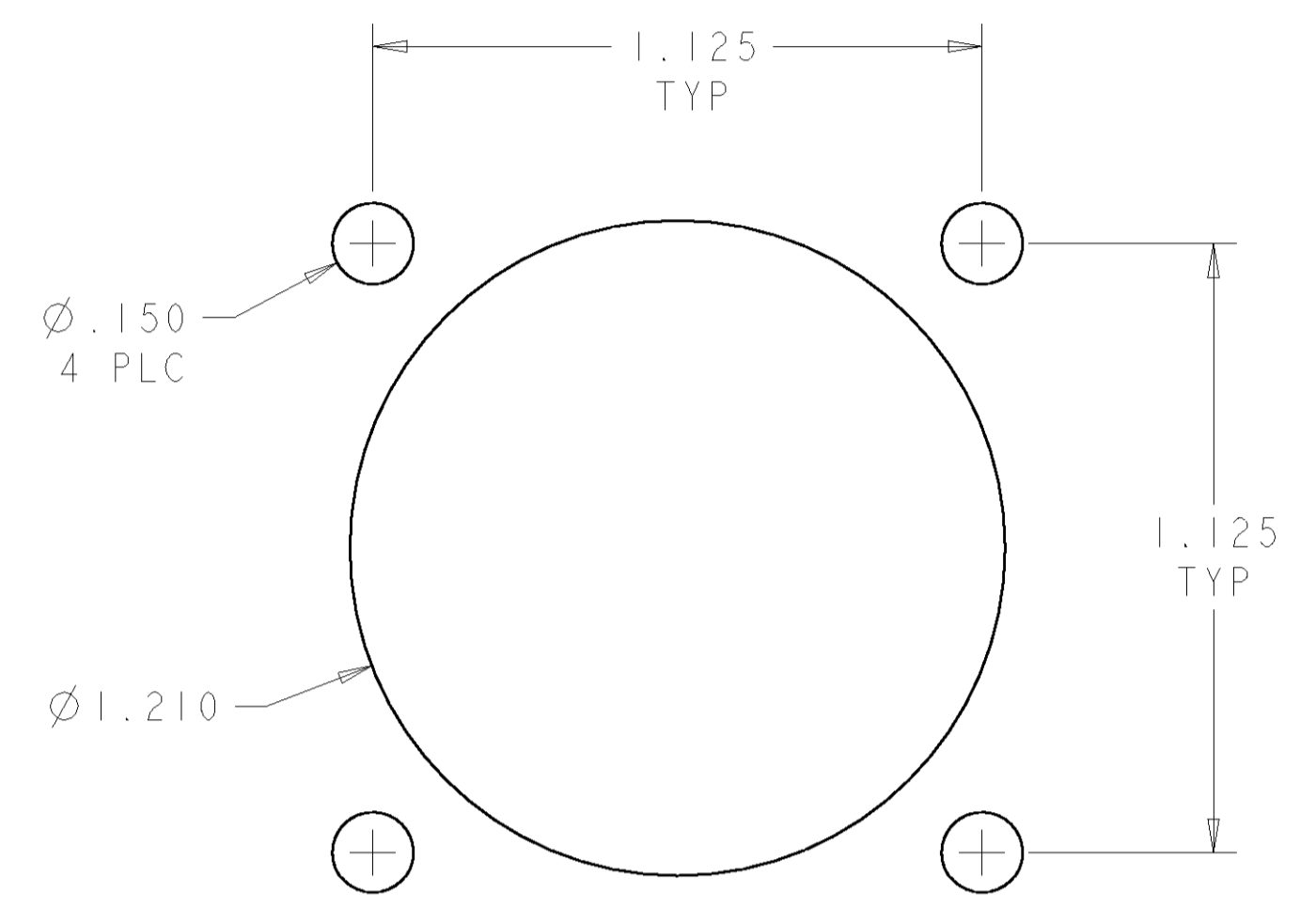
00779 C=213825

SCALE 4:1 SHEET 1 OF 2 REV P1

LOC		DIST		REVISIONS			
FT	0	P	LTR	DESCRIPTION	DATE	DWN	APVD
-	-	-	-	SEE SHEET 1	-	-	-



RECOMMENDED PC BOARD LAYOUT
 SCALE 3:1



RECOMMENDED PANEL LAYOUT
 .125 MAX PANEL THICKNESS
 SCALE 3:1

<small>THIS DRAWING IS UNPUBLISHED. RELEASED FOR PUBLICATION BY TYCO ELECTRONICS CORPORATION. ALL RIGHTS RESERVED.</small>		DWN: S. WELDON 23MAY2003 CHK: S. HEADER 23MAY2003 APVD: S. HEADER 23MAY2003	Tyco Electronics Harrisburg, PA 17105-3608
DIMENSIONS: INCHES:		TOLERANCES UNLESS OTHERWISE SPECIFIED: 0 PLC ±0 1 PLC ±0 2 PLC ±0 3 PLC ±0.010 4 PLC ±0 ANGLES ±0	NAME: RECEPTACLE ASSEMBLY, POSTED, SERIES 1, REVERSE SEX, CPC PRODUCT SPEC: - APPLICATION SPEC: - WEIGHT: - CUSTOMER DRAWING
MATERIAL: - FINISH: -		SIZE: A1 CAGE CODE: 00779 DRAWING NO: C=213825	RESTRICTED TO: - SCALE: 4:1 SHEET: 2 OF 2 REV: P1