

THIS DRAWING IS UNPUBLISHED.

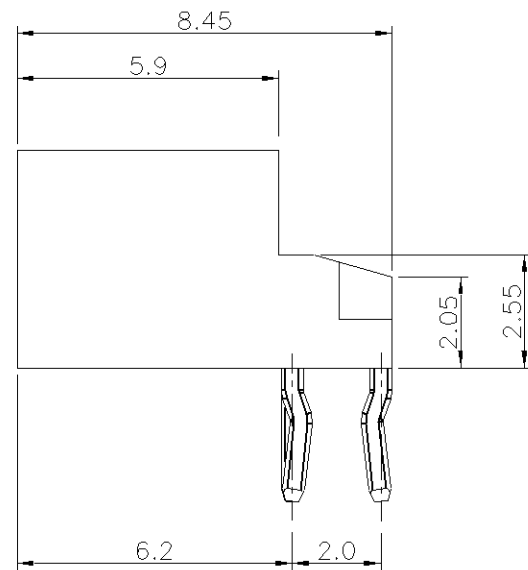
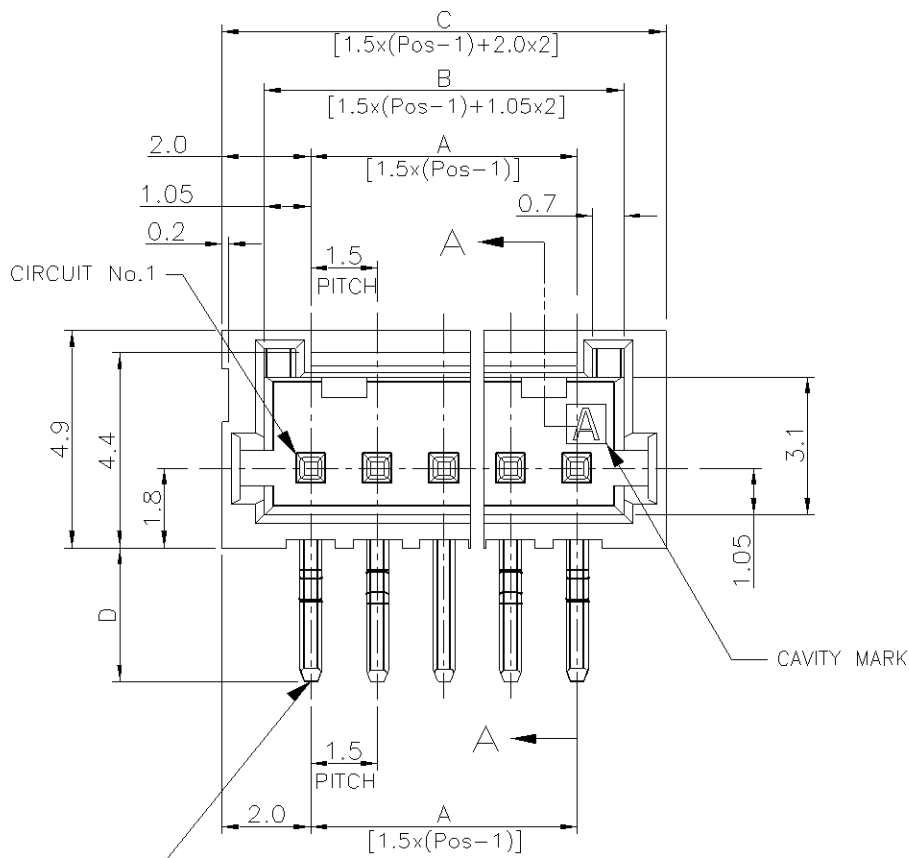
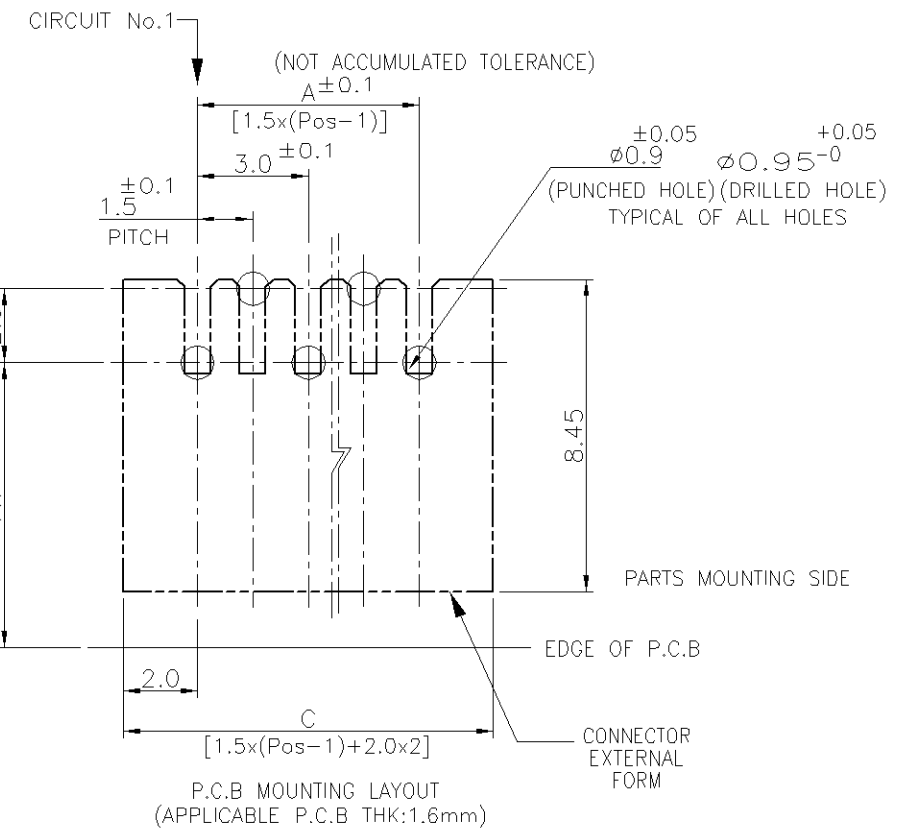
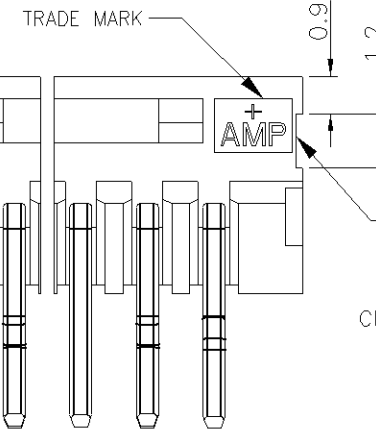
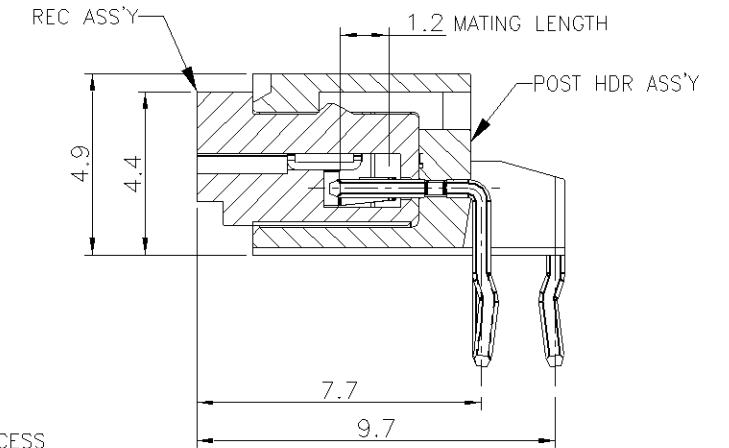
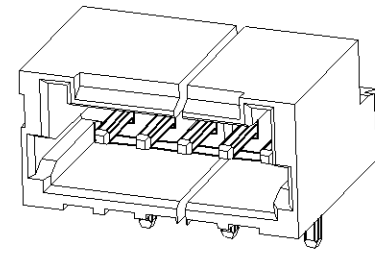
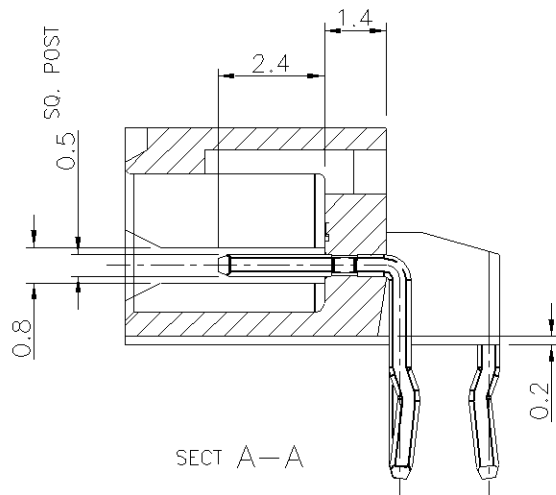
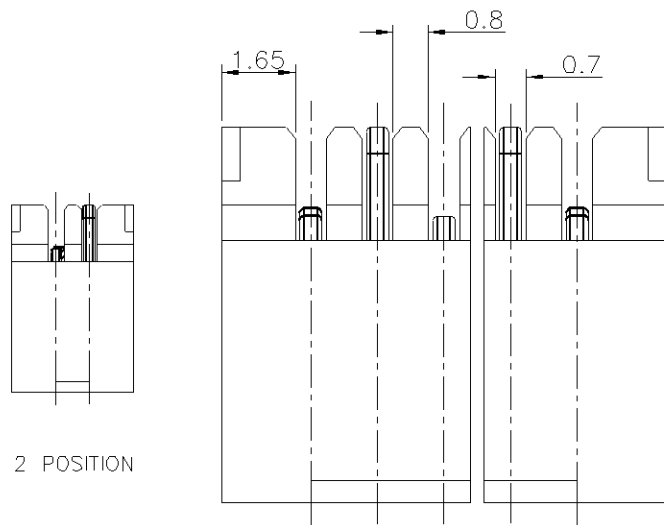
RELEASED FOR PUBLICATION

© COPYRIGHT BY TYCO ELECTRONICS CORPORATION. ALL RIGHTS RESERVED.

LOC ES DIST 00

REVISIONS

P	LTR	DESCRIPTION	DATE	DWN	APVD
A	REVISED	ECR-07-008842	09MAR07	C.Z	S.Y



KINKING FORMING BOTH SIDE EACH 2 PLACES TOTAL: 4 PLACES

NOTES:

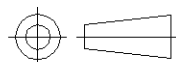
1. MATERIAL: HOUSING: NYLON(G.F.) UL94V-0, COLOR: GRAY, BLUE POST: PRE-TIN 0.5mm SQ. BRASS WIRE

TOLERANCES UNLESS OTHERWISE SPECIFIED:

10 ≥ * : ±0.2
30 ≥ * > 10 : ±0.25
100 ≥ * > 30 : ±0.3
ANGLE : ±3°

THIS DRAWING IS A CONTROLLED DOCUMENT.

DIMENSIONS: MM



TOLERANCES UNLESS OTHERWISE SPECIFIED:

0 PLC	± -
1 PLC	± -
2 PLC	± -
3 PLC	± -
4 PLC	± -
ANGLES	± -

MATERIAL SEE NOTE 1

FINISH SEE NOTE 1

DWN S.YAO 06DEC02

CHK T.SASAKI 31JAN03

APVD T.SASAKI 31JAN03

PRODUCT SPEC 108-60018

APPLICATION SPEC 114-5223

WEIGHT SEE TABLE

CUSTOMER DRAWING



Tyco Electronics Corporation SHANGHAI, CHINA

NAME AMP Mini CT Connector 1.5mm Pitch Single Row HDR Ass'y (H) DIP Staggered Type with Kink

SIZE	CAGE CODE	DRAWING NO	RESTRICTED TO
A3	00779	C-292206	-

SCALE	SHEET	OF	REV
NON	1	2	A

LOC	DIST	P		LTR	REVISIONS		DESCRIPTION	DATE	DWN	APVD
ES	00									
							SEE SHEET 1			

0.23	2.5	7.0	5.1	3.0	3		9-292206-3
1.11	3.0	32.5	30.6	28.5	20	7-292206-0	2-292206-0
1.06	3.0	31.0	29.1	27.0	19	6-292206-9	1-292206-9
1.01	3.0	29.5	27.6	25.5	18	6-292206-8	1-292206-8
0.96	3.0	28.0	26.1	24.0	17	6-292206-7	1-292206-7
0.91	3.0	26.5	24.6	22.5	16	6-292206-6	1-292206-6
0.86	3.0	25.0	23.1	21.0	15	6-292206-5	1-292206-5
0.81	3.0	23.5	21.6	19.5	14	6-292206-4	1-292206-4
0.75	3.0	22.0	20.1	18.0	13	6-292206-3	1-292206-3
0.70	3.0	20.5	18.6	16.5	12	6-292206-2	1-292206-2
0.65	3.0	19.0	17.1	15.0	11	6-292206-1	1-292206-1
0.60	3.0	17.5	15.6	13.5	10	6-292206-0	1-292206-0
0.54	3.0	16.0	14.1	12.0	9	5-292206-9	292206-9
0.49	3.0	14.5	12.6	10.5	8	5-292206-8	292206-8
0.44	3.0	13.0	11.1	9.0	7	5-292206-7	292206-7
0.40	3.0	11.5	9.6	7.5	6	5-292206-6	292206-6
0.34	3.0	10.0	8.1	6.0	5	5-292206-5	292206-5
0.29	3.0	8.5	6.6	4.5	4	5-292206-4	292206-4
0.24	3.0	7.0	5.1	3.0	3	5-292206-3	292206-3
0.19	3.0	5.5	3.6	1.5	2	5-292206-2	292206-2
WEIGHT (g)	DIMENSIONS				Pos.	PART NO	
	D	C	B	A		BLUE	GRAY

THIS DRAWING IS UNPUBLISHED. ALL RIGHTS RESERVED.
 RELEASED FOR PUBLICATION
 © COPYRIGHT - BY TYCO ELECTRONICS CORPORATION.

DIMENSIONS: MM

TOLERANCES UNLESS OTHERWISE SPECIFIED:
 0 PLC ± -
 1 PLC ± SEE SHEET
 2 PLC ± 1 OF 2
 3 PLC ± -
 4 PLC ± -
 ANGLES ± -

DMN -
 CHK -
 APVD -
 PRODUCT SPEC -
 APPLICATION SPEC -
 WEIGHT -

MATERIAL FINISH

tyco Tyco Electronics Corporation
Electronics SHANGHAI, CHINA

NAME: AMP Mini CT Connector 1.5mm Pitch
 Single Row Post HDR Assy (H) DIP Staggered Type with Kink

SIZE: A4 CAGE CODE: 00779 DRAWING NO: 292206 RESTRICTED TO

CUSTOMER DRAWING SCALE: SHEET 2 OF 2 REV A