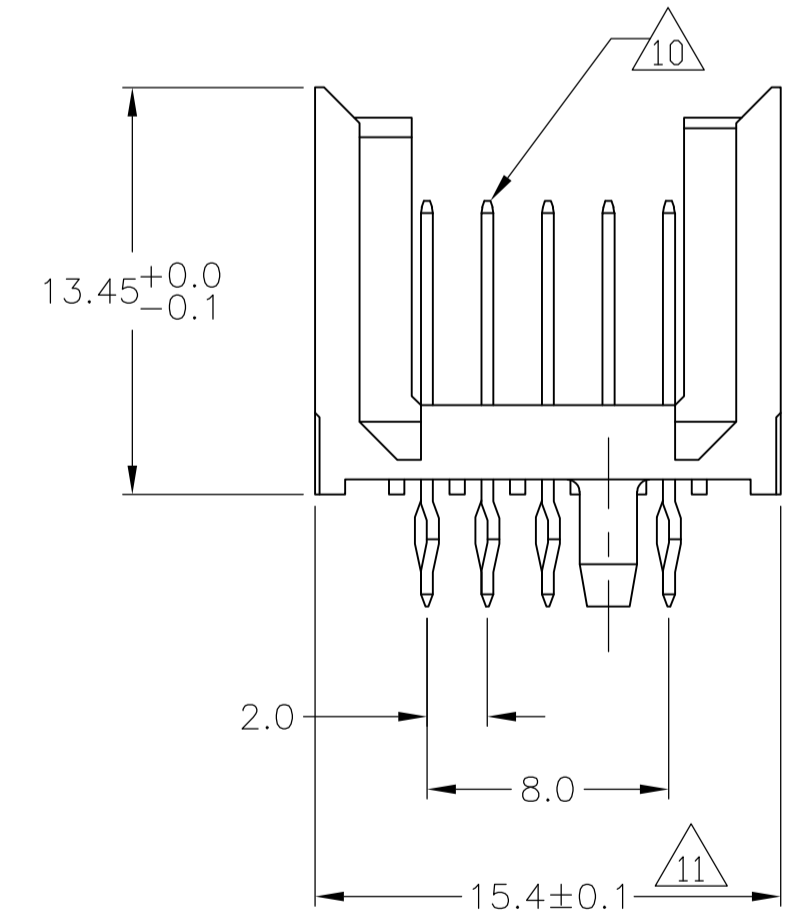
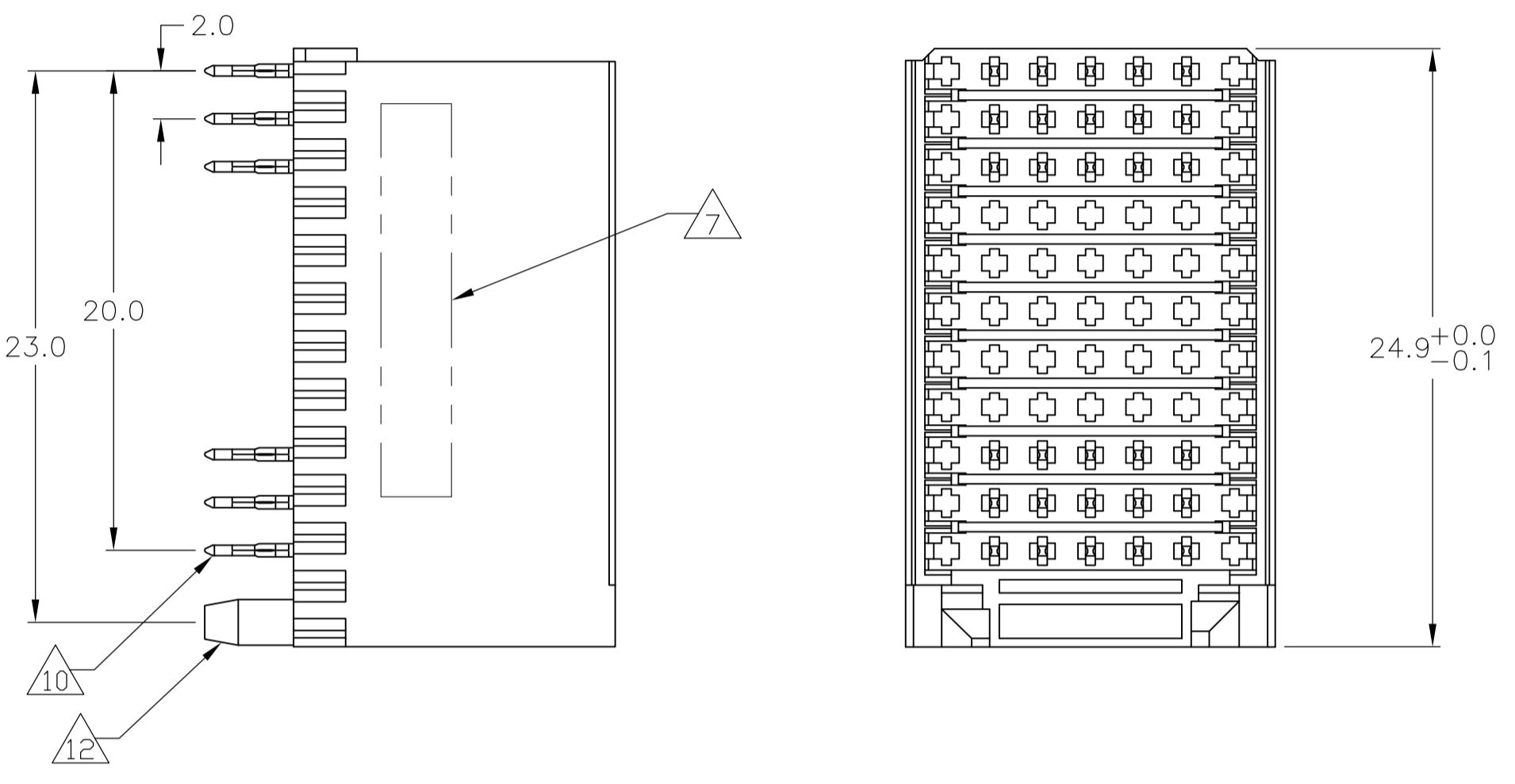
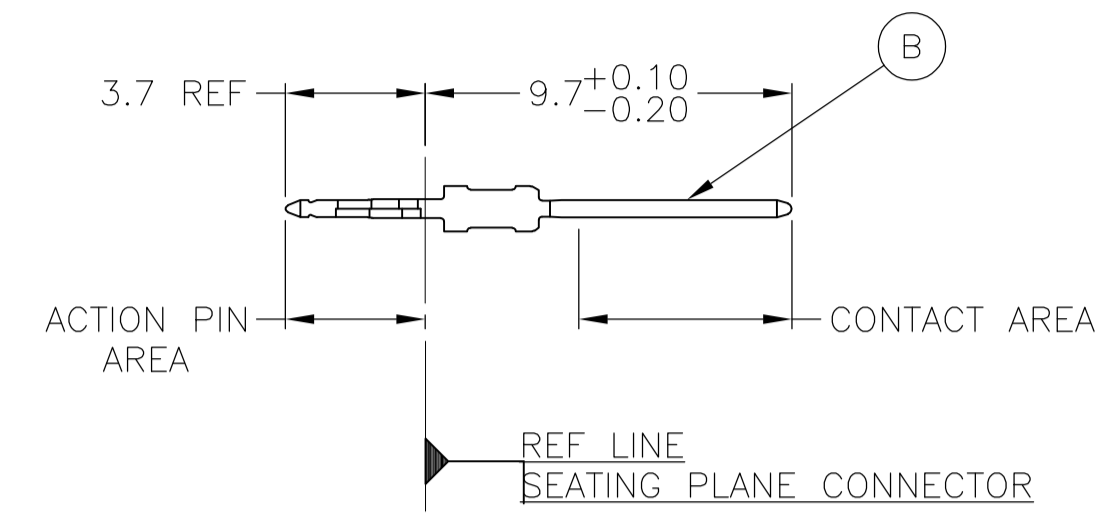


LOC		DIST		REVISIONS			
P	LTR	DESCRIPTION	DATE	DNW	APVD		
0		REV PER EC 0512-0318-04	01AUG05	BC	GS		
01		REVISED PER ECO-09-024717	04NOV09	KK	AEG		
A		ECR-10-018652	10SEP10	SW	MQW		

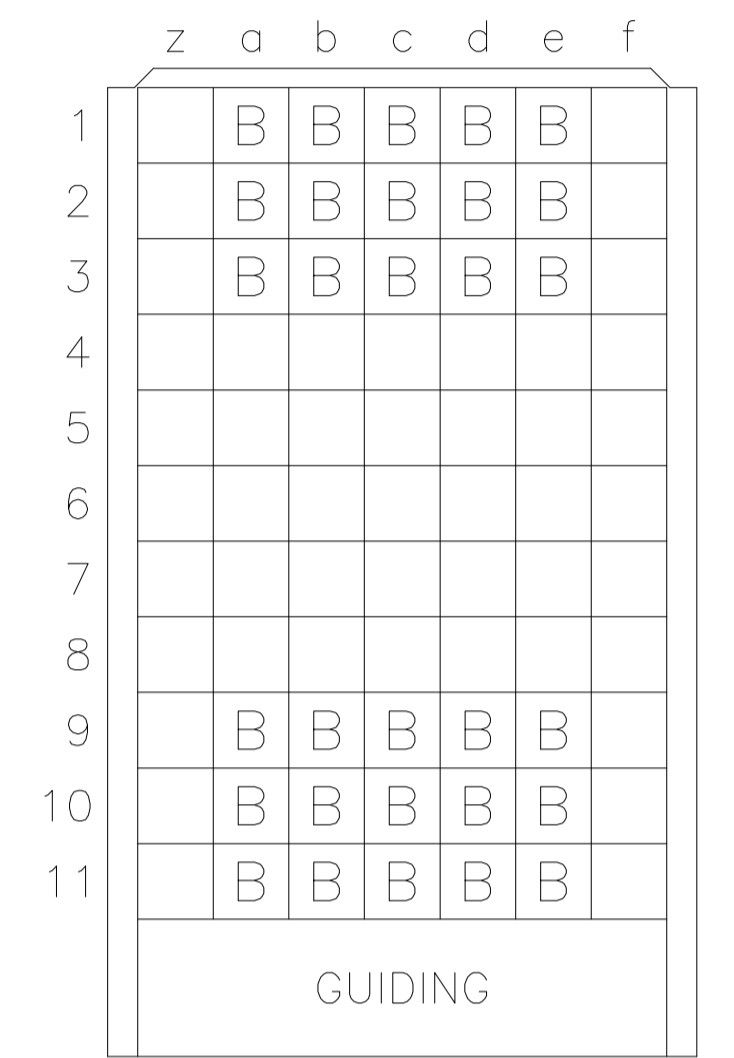
CONNECTOR ASSEMBLY
 EXAMPLARY LOADED



CONTACT DIMENSIONS
 SCALE 5:1

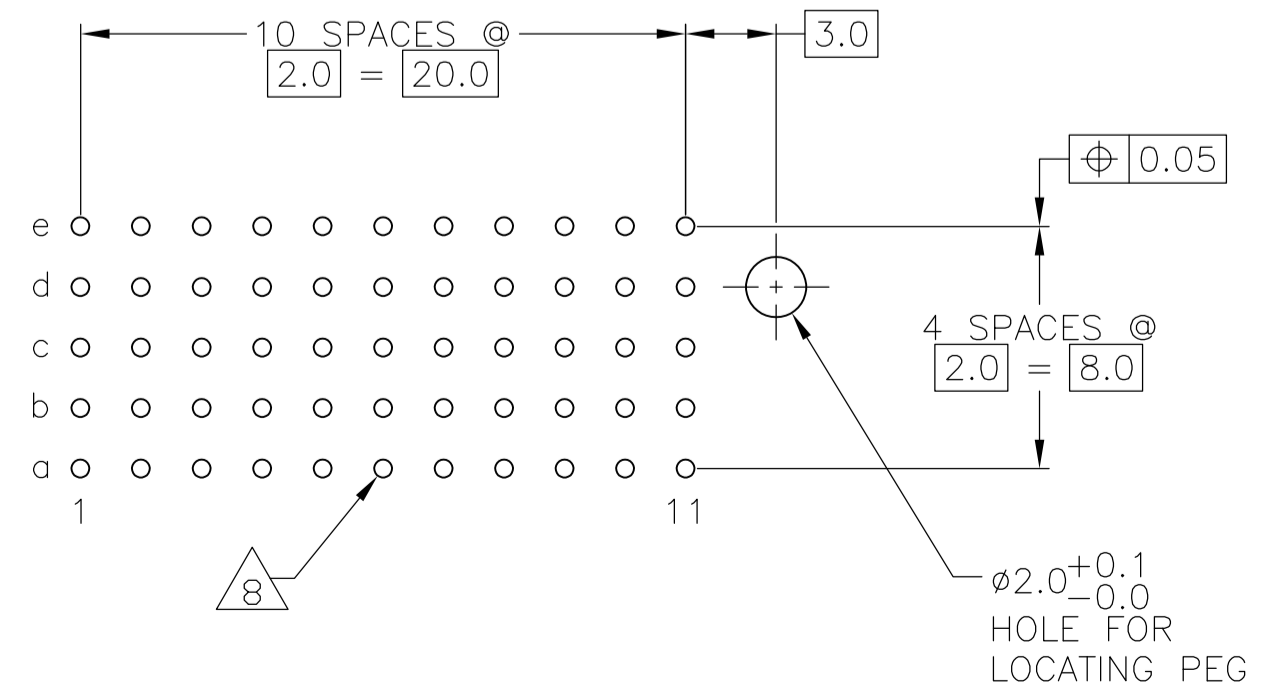


CONTACT LAYOUT



RECOMMENDED PCB-HOLE LAYOUT
 COMPONENT SIDE SHOWN

PLATED THRU HOLES PARAMETERS
 REFERENCE APPLICATION SPECIFICATION



2	6	13	1-5352408-9
2	5	13	5352408-9
2	4		5352408-4
2	3		5352408-1
FINISH			PART NUMBER

THIS DRAWING IS A CONTROLLED DOCUMENT.		DIN B CARBO 01AUG05		Tyco Electronics Corporation	
DIMENSIONS: mm		GSKIPPER 01AUG05		Tyco Electronics Corporation Harrisburg, Pa 17105-3608	
TOLERANCES UNLESS OTHERWISE SPECIFIED:		GSKIPPER 01AUG05		NAME	
0-PLG	±	GSKIPPER 01AUG05		MALE ASSEMBLY, Z-PACK 2mm HM, TYPE C	
1-PLG	± 0.2	GSKIPPER 01AUG05		APPLICATION SPEC	
2-PLG	± 0.02	GSKIPPER 01AUG05		108-19082	
3-PLG	± 0.005	GSKIPPER 01AUG05		APPLICATION SPEC	
4-PLG	± 0.005	GSKIPPER 01AUG05		114-19029	
ANGLES	± 0.30°	GSKIPPER 01AUG05		SIZE	
MATERIAL		GSKIPPER 01AUG05		CAGE CODE DRAWING NO	
FINISH		GSKIPPER 01AUG05		A1 00779 C=5352408	
SEE TABLE		GSKIPPER 01AUG05		RESTRICTED TO	
SEE TABLE		GSKIPPER 01AUG05		WEIGHT	
SEE TABLE		GSKIPPER 01AUG05		CUSTOMER DRAWING	
SEE TABLE		GSKIPPER 01AUG05		SCALE 4:1 SHEET 1 OF 2 REV A	

THIS DRAWING IS UNPUBLISHED. RELEASED FOR PUBLICATION
 BY TYCO ELECTRONICS CORPORATION. ALL RIGHTS RESERVED.

LOC		DIST		REVISIONS			
AD	00	REV	DATE	BY	APP'D	DESCRIPTION	DATE
-	-	1	-	-	-	SEE SHEET 1	-

- 1 MATERIAL:
CONTACT: PHOSPHOR BRONZE.
HOUSING: GLASS-FILLED POLYESTER.
- 2 GENERAL PLATING SPECIFICATION: UNDERPLATING
(ENTIRE CONTACT): 1.27µm MIN NICKEL AND ACTION
PIN: 0.5µm MIN TIN.
FOR PLATING OF MATING SURFACES SEE APPLICABLE
SPECIFICATION REFERENCE FOR EACH DASH NUMBER.
- 3 CONFORMS TO ALL TESTING ACCORDING TO IEC 61076-4-101
PERFORMANCE LEVEL 2.
- 4 CONFORMS TO ALL TESTING ACCORDING TO IEC 61076-4-101
PERFORMANCE LEVEL 1.
- 5 CONNECTOR TESTED AND QUALIFIED AGAINST TELCORDIA GR-1217-CORE QUALITY LEVEL 3,
CENTRAL OFFICE APPLICATIONS.
- 6 CONNECTOR TESTED AND QUALIFIED AGAINST TELCORDIA GR-1217-CORE QUALITY LEVEL 3,
UNCONTROLLED ENVIROMENT APPLICATIONS.
- 7 CONNECTOR MARKED WITH PART NUMBER AND DATE CODE.
ADDITIONAL CHARACTERS OR MARKINGS, AS WELL AS THE LOCATION OF THE MARKINGS,
MAY BE ADDED FOR TRACEABILITY BASED UPON MANUFACTURERS DISCRETION.
- 8 PLATED-THROUGH HOLES AT 2x2mm SQUARE GRID
PATTERN DEFINED BY CONTACT LAYOUT.
- 9 FOR ACTUAL PIN LOADING SEE "CONTACT LAYOUT".
- 10 FOR ACTUAL PIN DIMENSIONS SEE "CONTACT DIMENSIONS".
- 11 TO BE MEASURED AT BOTTOM OF SHROUD.
- 12 LOCATION PEG.
- 13 CONNECTOR LUBRICATED WITH BELCORE APPROVED LUBRICANT,
TECHNICAL REFERENCE: TR-NWT-001217 ISSUE 1, SEP 1992.
- 14 OBSOLETE PARTS: OBSOLETE CIS STREAMLINING PER D.RENAUD/D.SINISI

THIS DRAWING IS A CONTROLLED DOCUMENT.		DWN B CARBO 01AUG05	Tyco Electronics Corporation Harrisburg, Pa 17105-3608	
DIMENSIONS: mm		CHK G.SKIPPER 01AUG05	NAME G.SKIPPER 01AUG05	
TOLERANCES UNLESS OTHERWISE SPECIFIED: 0-PLC ± 1-PLC ±0.2 ±0.2 2-PLC ±0.02 3-PLC ±0.005 4-PLC ± ANGLES ±0.30°		PRODUCT SPEC 108-19082		RESTRICTED TO
MATERIAL SEE SHEET 1		APPLICATION SPEC 114-19029		SIZE A1
FINISH SEE SHEET 1		WEIGHT -		CAGE CODE 00779
CUSTOMER DRAWING		DRAWING NO 5352408		SCALE 4:1
		SHEET 2 OF 2		REV A