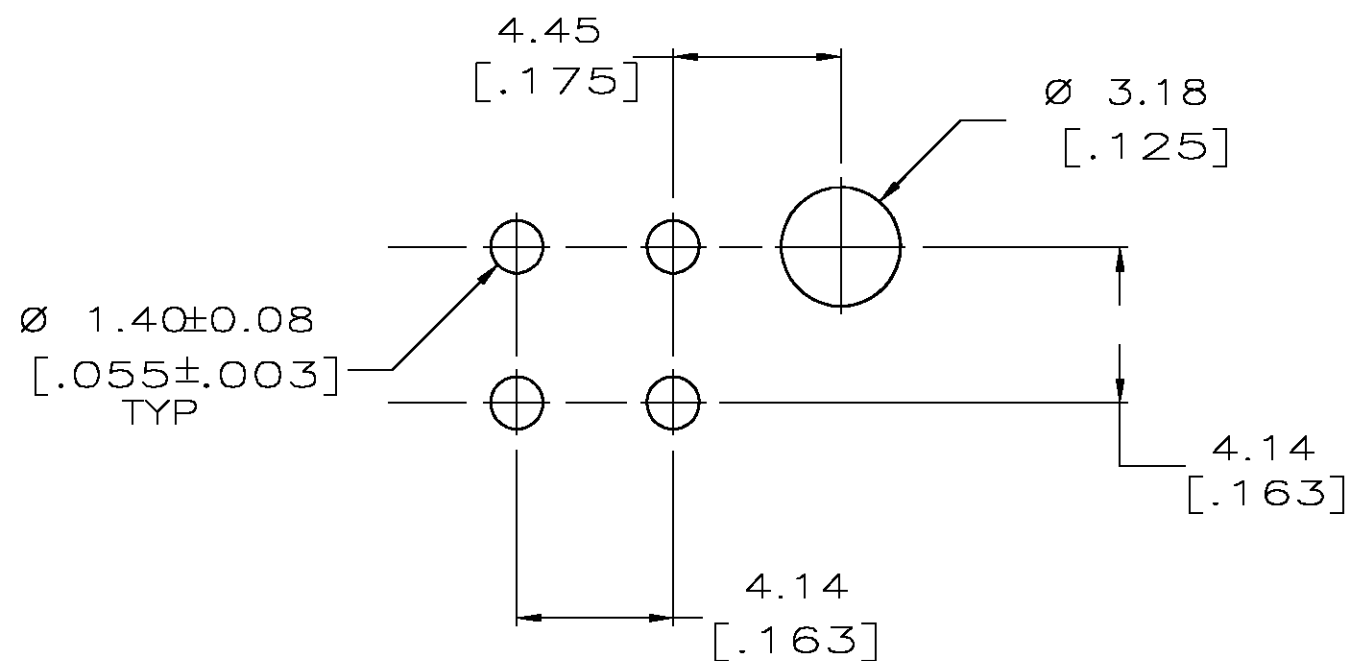
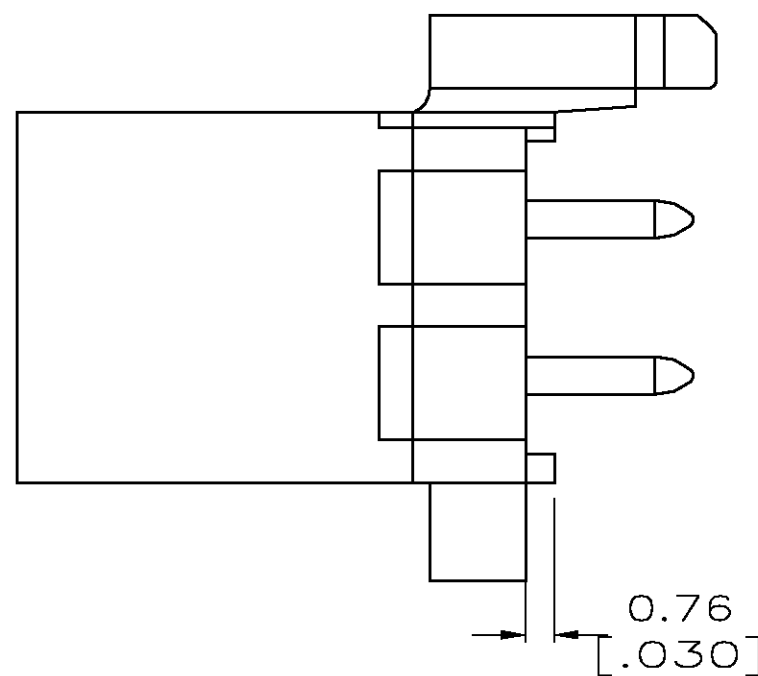
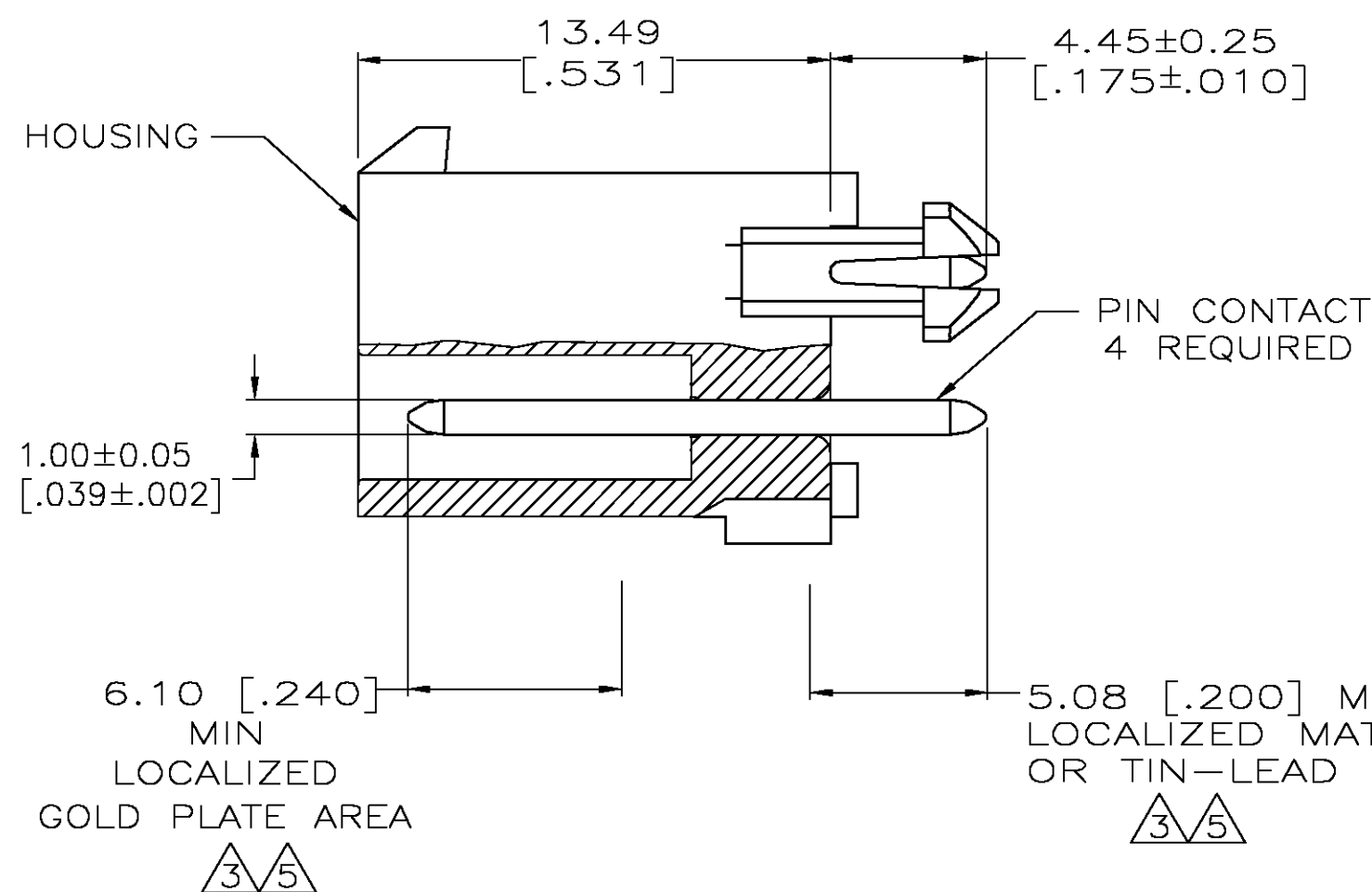
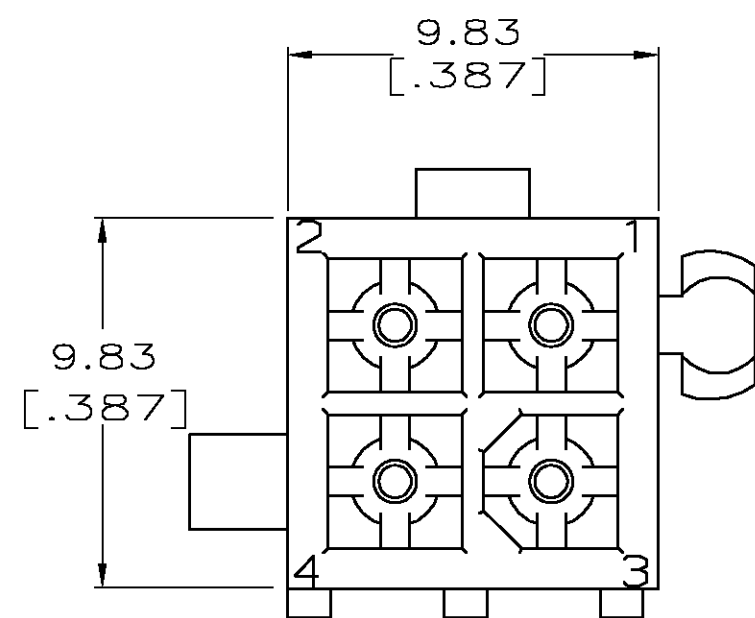


THIS DRAWING IS UNPUBLISHED. RELEASED FOR PUBLICATION
 © COPYRIGHT BY TYCO ELECTRONICS CORPORATION. ALL RIGHTS RESERVED.

LOC		DIST		REVISIONS			
P	LTR	DESCRIPTION		DATE	DWN	APVD	
CM	0	E		REVISED PER 0G3B-0211-05	6/7/05	SS RJ	



RECOMMENDED LAYOUT FOR 1.57 [.062] THICK BOARD
 TOLERANCES NON-ACCUMULATIVE

- PINS TO COMPLY WITH AMP SOLDERABILITY SPEC. 109-11-3.
- DIMENSIONS SHOWN IN BRACKETS ARE IN INCHES.
- 0.00076 [.000030] MIN GOLD PLATE IN THE LOCALIZED GOLD PLATE AREA, 0.00381 [.000150] MATTE TIN LEAD IN THE LOCALIZED TIN LEAD PLATE AREA, BOTH OVER 0.00127 [.000050] MIN NICKEL.
- 0.00381 [.000150] MATTE TIN LEAD OVER 0.00127 [.000050] MIN NICKEL ENTIRE LENGTH OF PIN.
- 0.00076 [.000030] MIN GOLD PLATE IN THE LOCALIZED GOLD PLATE AREA, 0.00381 [.000150] MATTE TIN IN THE LOCALIZED TIN PLATE AREA, BOTH OVER 0.00127 [.000050] MIN NICKEL.
- 0.00381 [.000150] MATTE TIN OVER 0.00127 [.000050] MIN NICKEL ENTIRE LENGTH OF PIN.

NYLON UL94V-0	WHITE	BRASS	5	1-770874-1
NYLON UL94V-0	WHITE	BRASS	6	1-770874-0
NYLON UL94V-0	WHITE	BRASS	3	770874-2
NYLON UL94V-0	WHITE	BRASS	4	770874-1
MATERIAL	COLOR	MATERIAL	FINISH	PART NO.
HOUSING		PIN CONTACT		

THIS DRAWING IS A CONTROLLED DOCUMENT.		DWN K. SALMON 11-5-91	Tyco Electronics Corporation Harrisburg, Pa 17105-3608	
DIMENSIONS: mm [INCHES]		CHK R. SWING 11-5-91	NAME	
TOLERANCES UNLESS OTHERWISE SPECIFIED:		APVD -	PRODUCT SPEC	
0 PLC ± -		APVD -	APPLICATION SPEC	
1 PLC ± -		APVD -	WEIGHT	
2 PLC ± 0.13		APVD -	SIZE A2	
3 PLC ± -		APVD -	CAGE CODE 00779	
4 PLC ± -		APVD -	DRAWING NO 770874	
ANGLES ± -		APVD -	RESTRICTED TO	
FINISH		APVD -	SCALE 5:1	
SEE TABLE		APVD -	SHEET 1 OF 1	
SEE TABLE		APVD -	REV E	