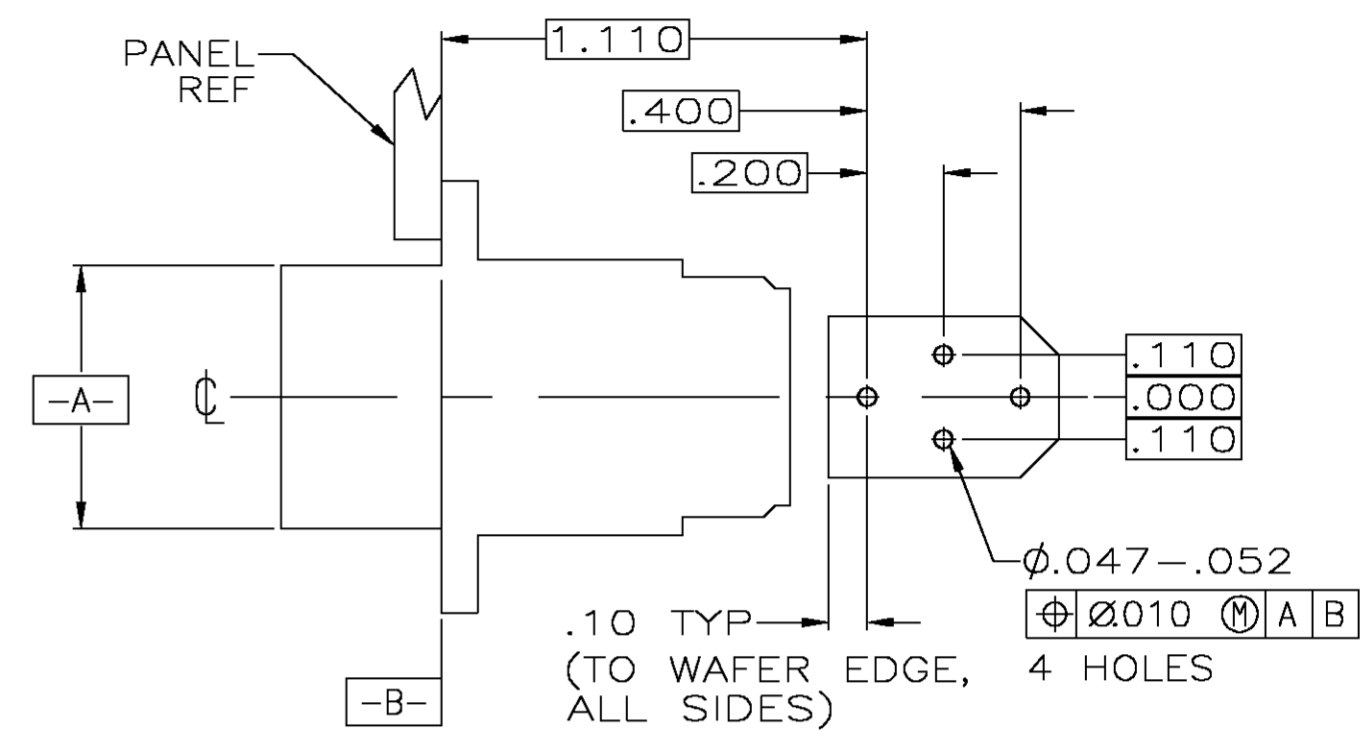
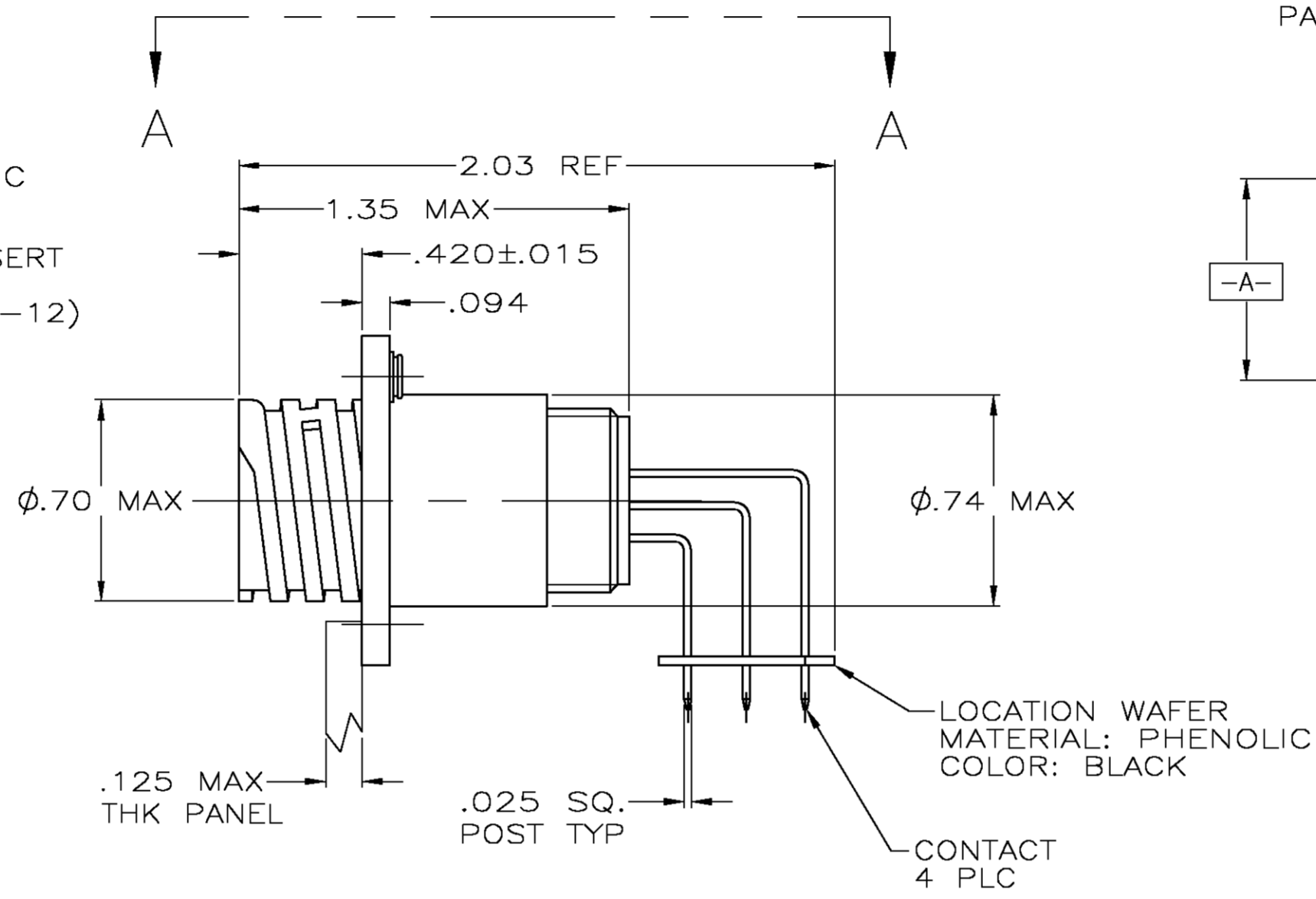
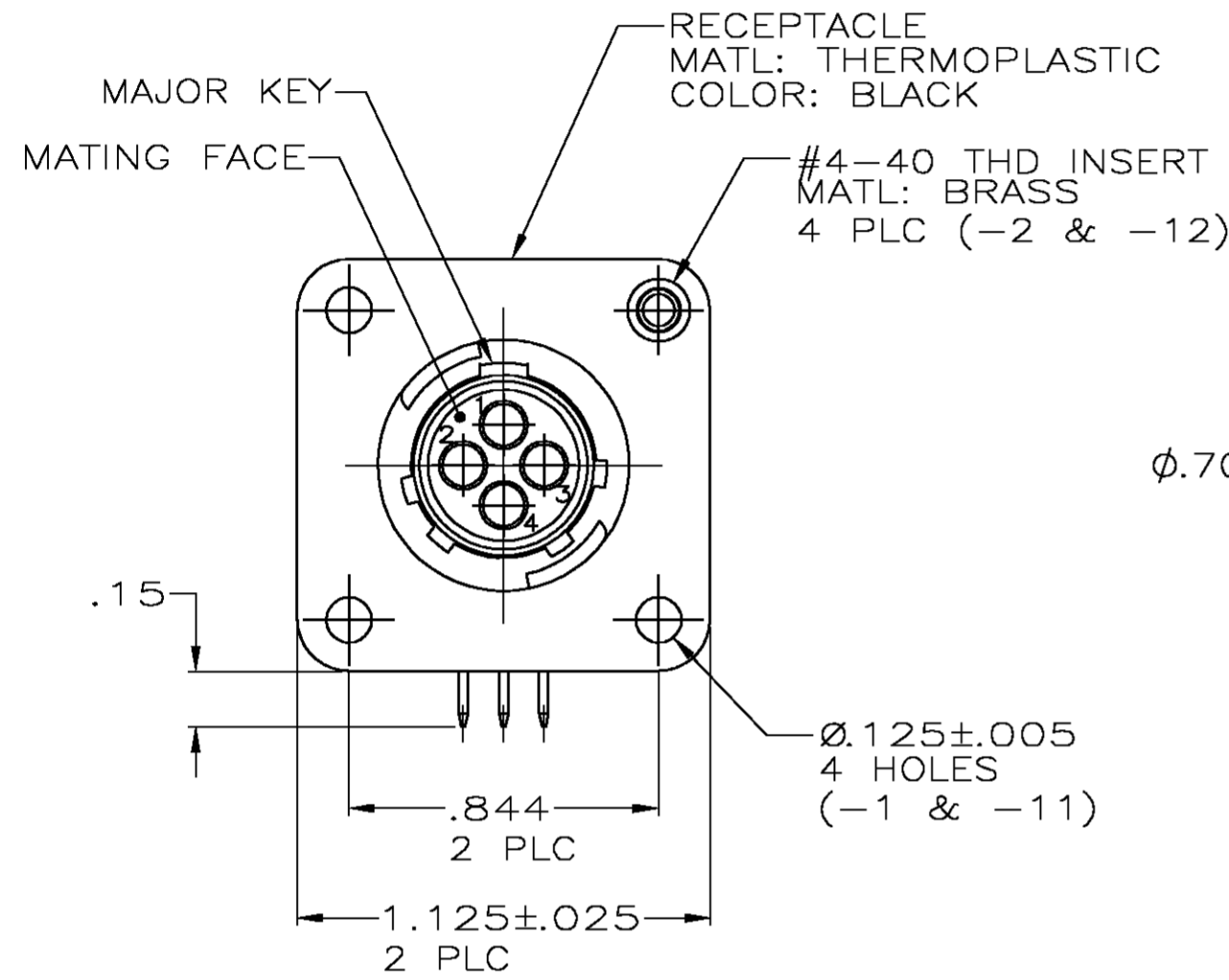
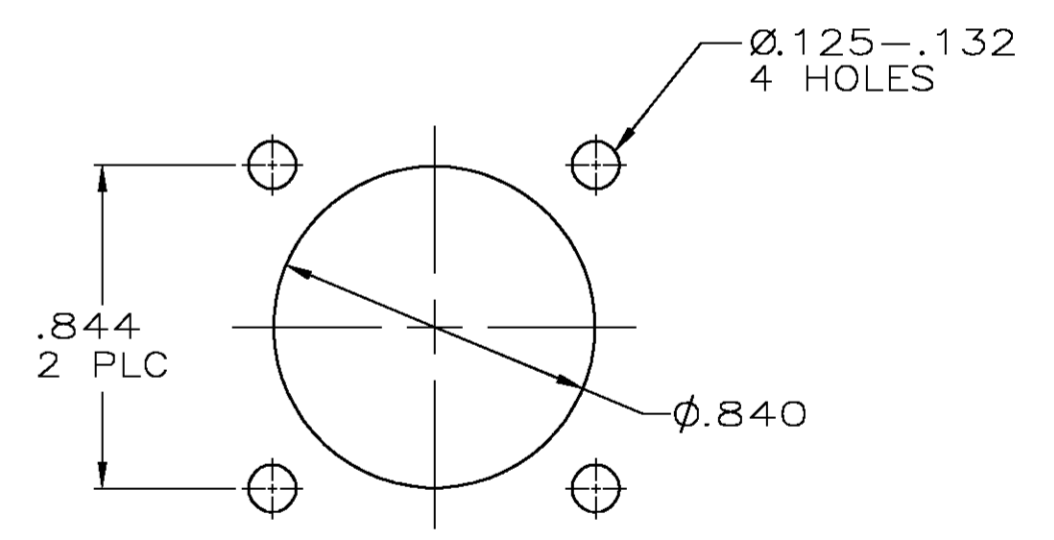


THIS DRAWING IS UNPUBLISHED. RELEASED FOR PUBLICATION
 © COPYRIGHT BY TYCO ELECTRONICS CORPORATION. ALL RIGHTS RESERVED.

LOC		DIST		REVISIONS			
P	LTR	DESCRIPTION		DATE	DWN	APVD	
FT	0	E		REVISED PER 0C3B-0100-05	5/4/05	SS	HW



VIEW A-A
 RECOMMENDED PC BOARD LAYOUT



- CONTACT CAVITIES IDENTIFIED BY CHARACTERS ON FRONT AND REAR FACES OF CONNECTOR.
 - #4 FASTENER RECOMMENDED FOR -1 MOUNTING.
 #4 FASTENER REQUIRED FOR -2 MOUNTING.
- CONTACT BODY: .000030 MIN GOLD FOR A LENGTH OF .250 MIN FROM MATING END, WITH REMAINDER TO BE GOLD FLASH, BOTH OVER .000050 MIN NICKEL.
 CONTACT POST: .000100 MIN TIN-LEAD OVER .000100 MIN COPPER.
- PC BOARD HOLE PATTERN IS DEFINED RELATIVE TO CONNECTOR C.L. AND PANEL MOUNTING FACE INDICATED.
- CONTACT BODY: .000030 MIN GOLD FOR A LENGTH OF .250 MIN FROM MATING END, WITH REMAINDER TO BE GOLD FLASH, BOTH OVER .000050 MIN NICKEL.
 CONTACT POST: .000100 MIN TIN OVER .000100 MIN COPPER.

RECOMMENDED PANEL CUTOUT

CONTACT FINISH	CONFIG.	PART NUMBER
5	W/INSERTS	1-796403-2
5	W/O INSERTS	1-796403-1
3	W/INSERTS	796403-2
3	W/O INSERTS	796403-1

THIS DRAWING IS A CONTROLLED DOCUMENT.

DWN	HAMNER	2-19-00
CHK	M.CHACKO	2-24-00
APVD	M.CHACKO	2-24-00

NAME: RECEPTACLE ASSY, POSTED, RT ANGLE, STD SEX, SIZE 11-4, SERIES 1, CPC

SIZE	CAGE CODE	DRAWING NO	RESTRICTED TO
A2	00779	C=796403	-

CUSTOMER DRAWING SCALE: 2:1 SHEET 1 OF 1 REV E