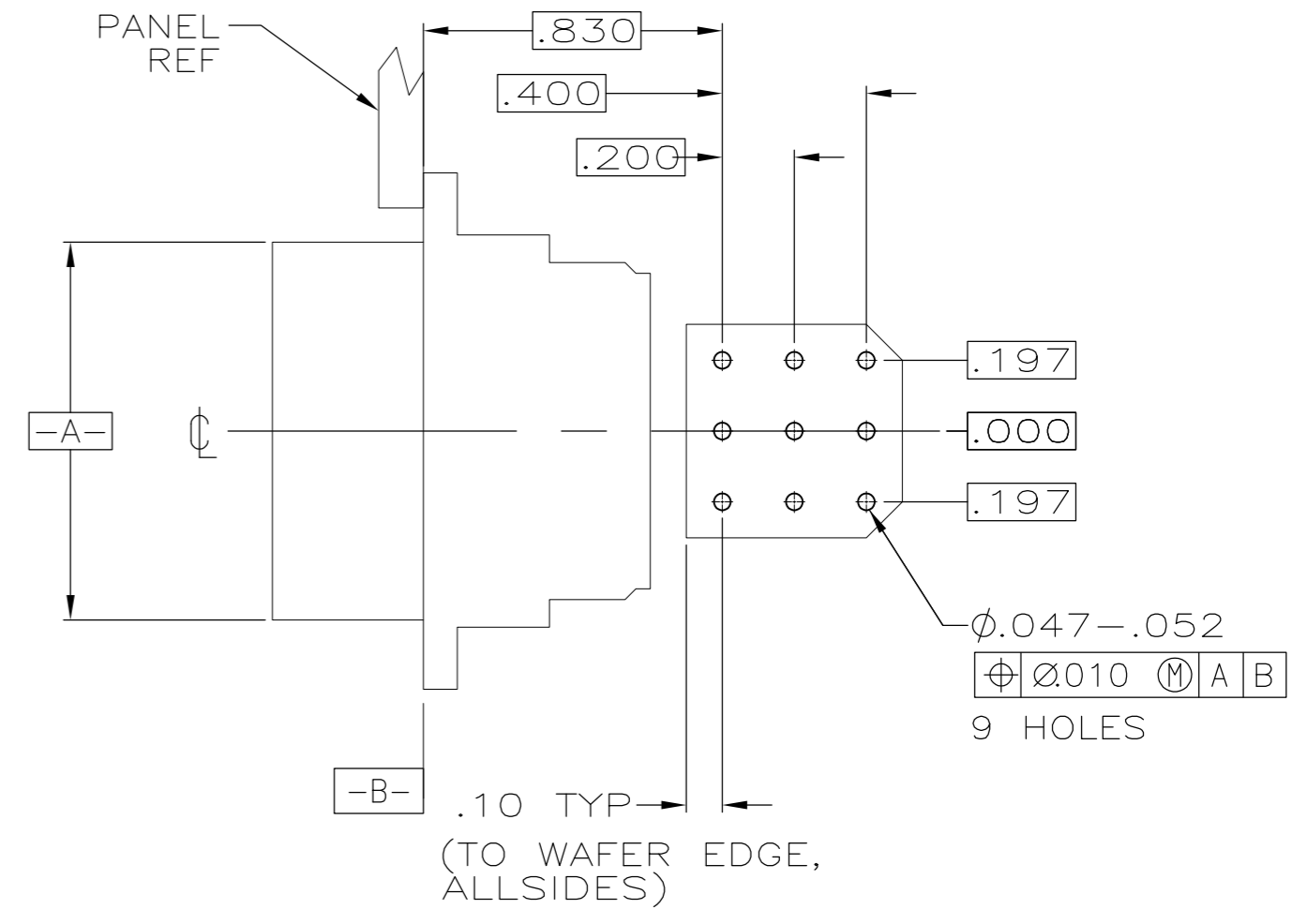
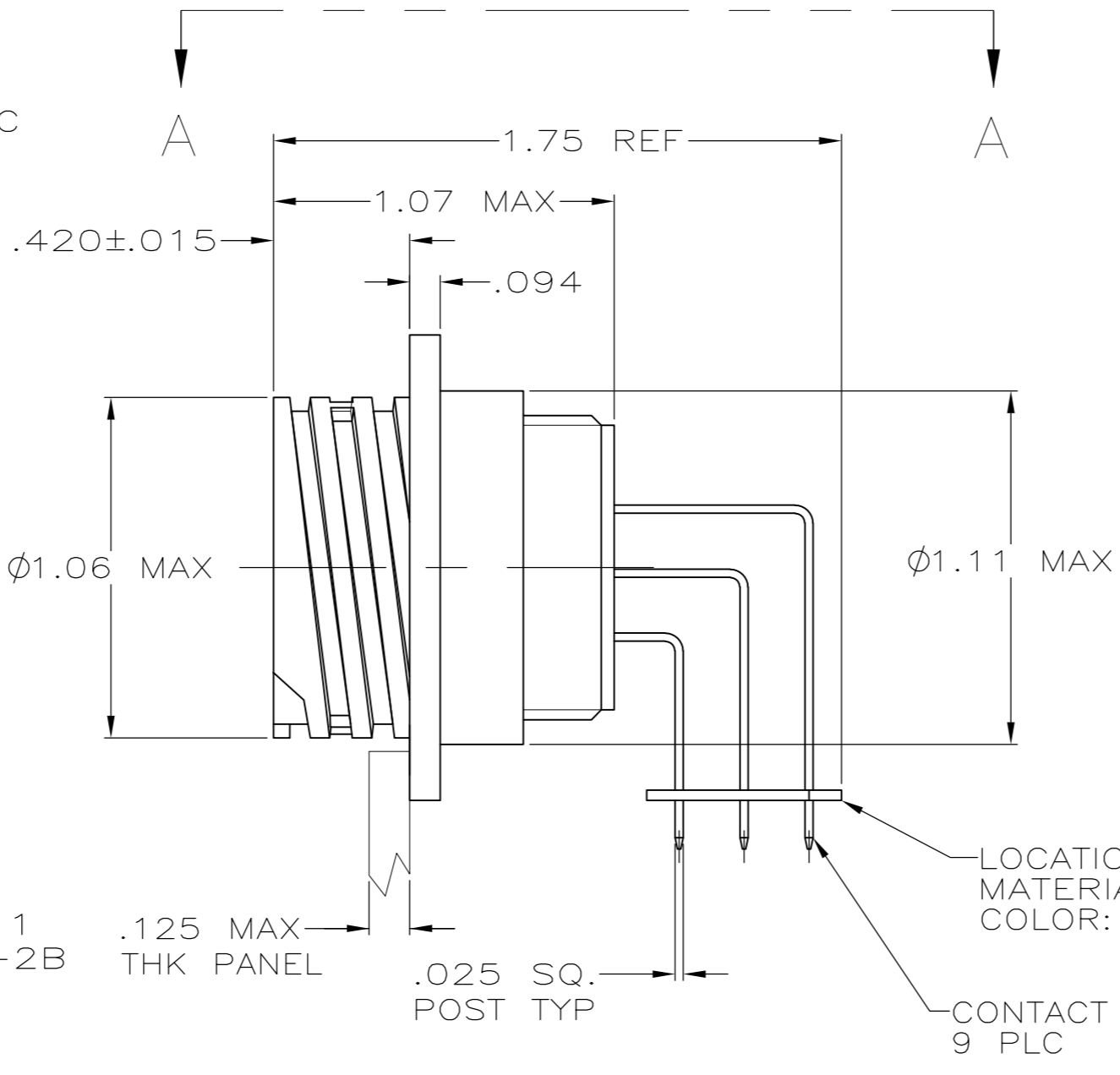
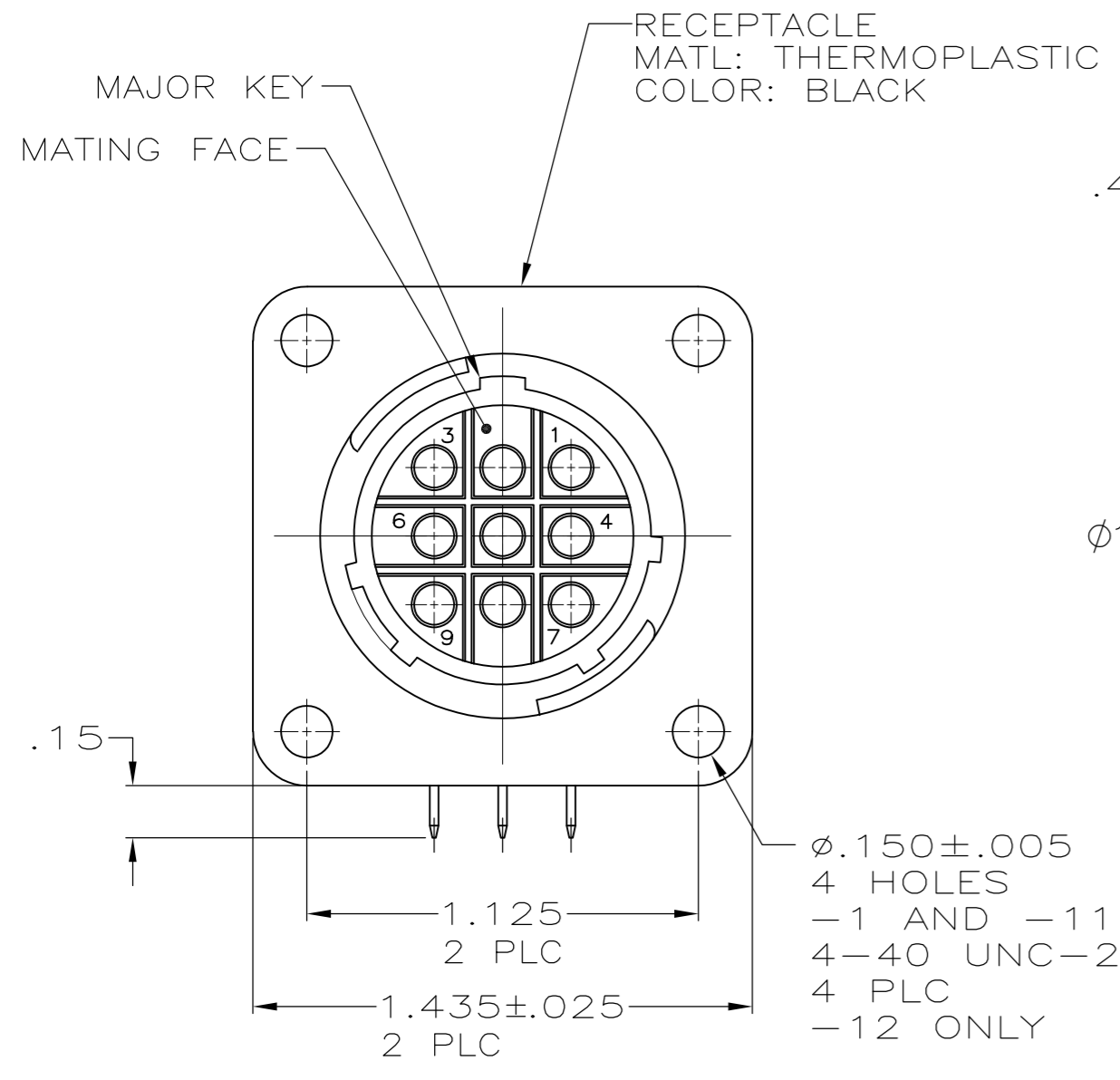
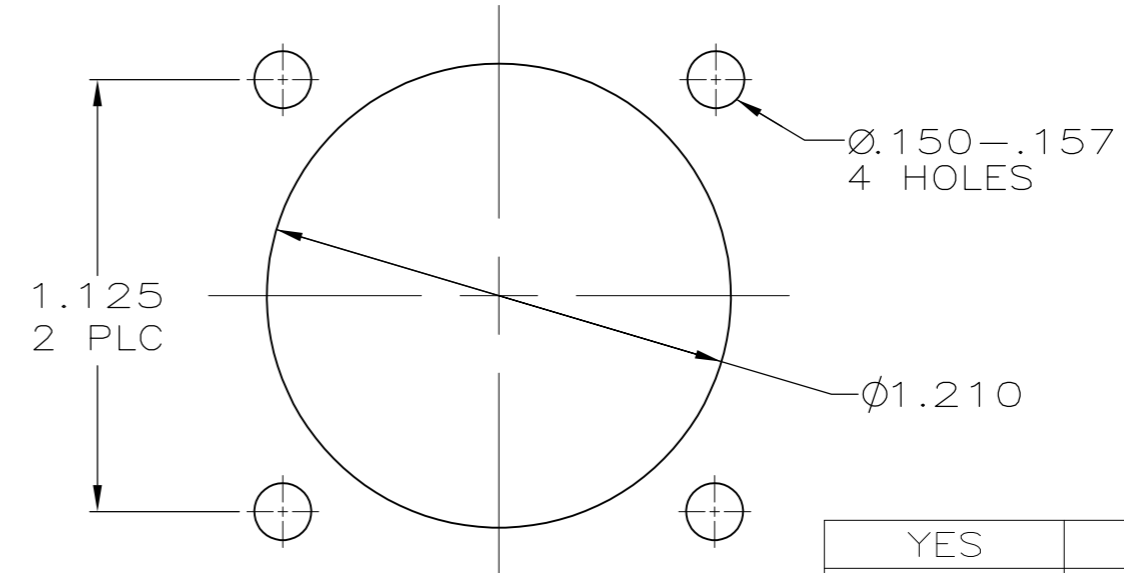


THIS DRAWING IS UNPUBLISHED. RELEASED FOR PUBLICATION  
 © COPYRIGHT BY TYCO ELECTRONICS CORPORATION. ALL RIGHTS RESERVED.

LOC		DIST		REVISIONS			
P	LTR	DESCRIPTION	DATE	DWN	APVD		
	C	REVISED PER ECO-07-005852	3/14/07	SS	SH		
	C1	REVISED PER ECO-09-023313	09OCT09	KK	AEG		



VIEW A-A  
 RECOMMENDED PC BOARD LAYOUT



RECOMMENDED  
 PANEL CUTOUT

- CONTACT CAVITIES IDENTIFIED BY CHARACTERS ON FRONT AND REAR FACES OF CONNECTOR.
- #6 FASTENER RECOMMENDED FOR MOUNTING.
- CONTACT BODY: .000030 MIN GOLD FOR A LENGTH OF .200 MIN FROM MATING END, WITH REMAINDER TO BE GOLD FLASH, BOTH OVER .000050 MIN NICKEL.  
 CONTACT POST: .000100 MIN TIN-LEAD OVER .000100 MIN COPPER.
- PC BOARD HOLE PATTERN IS DEFINED RELATIVE TO CONNECTOR C.L. AND PANEL MOUNTING FACE INDICATED.
- CONTACT BODY: .000030 MIN GOLD FOR A LENGTH OF .200 MIN FROM MATING END, WITH REMAINDER TO BE GOLD FLASH, BOTH OVER .000050 MIN NICKEL.  
 CONTACT POST: .000100 MIN TIN OVER .000100 MIN COPPER.
- OBSOLETE PARTS: OBSOLETE CIS STREAMLINING PER D.RENAUD/D.SINISI

YES	YES	5	1-796501-2
NO	NO	5	1-796501-1/6
NO	NO	3	796501-1/6
4-40 THREADED INSERTS	PERIPHERAL SEAL	CONTACT FINISH	PART NUMBER

THIS DRAWING IS A CONTROLLED DOCUMENT.		DWN HAMNER 4-13-00	Tyco Electronics Corporation Harrisburg, Pa 17105-3608	
DIMENSIONS: INCHES	TOLERANCES UNLESS OTHERWISE SPECIFIED:	CHK M.CHACKO 4-18-00	NAME RECEPTACLE ASSY, POSTED, RT ANGLE, RVS SEX, SIZE 17-9, SERIES 1, CPC	
	0 PLC ± - 1 PLC ± - 2 PLC ± .03 3 PLC ± .010 4 PLC ± - ANGLES ± - FINISH	APVD M.CHACKO 4-18-00	SIZE A2	CAGE CODE 00779
MATERIAL		PRODUCT SPEC	DRAWING NO C=796501	RESTRICTED TO
		APPLICATION SPEC	SCALE 2:1	SHEET 1 OF 1
		WEIGHT	REV C1	
		CUSTOMER DRAWING		