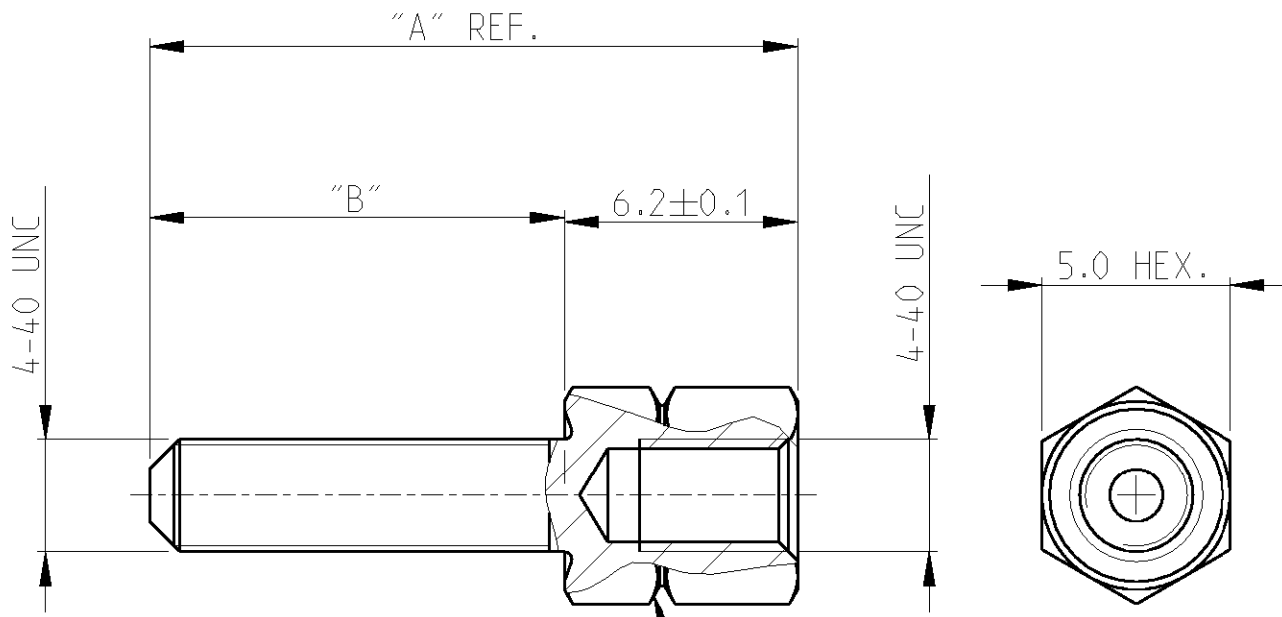


LOC	DIST	REVISIONS					
A1	-	P	LTR	DESCRIPTION	DATE	DWN	APVD
			F	H-9720	21APR1992	SM	CVT
	G1	REDRAWN	06JUN2005	ACK	MS		
	G2	REVISED PER ECO-10-000445	12JAN10	KK	AEG		



NOTE

1 OBSOLETE PARTS: OBSOLETE CIS STREAMLINING PER D.RENAUD/D.SINISI

GROOVE TO INDICATE
4-40 UNC INNER THREAD

1 OBSOLETE

9,2	3,0	PLAIN	ARCAP	3-828 102-3
9,2	3,0	TINPLATED	BRASS	3-828 102-1
17,2	11,0	PLAIN	ARCAP	2-828 102-3
17,2	11,0	TINPLATED	BRASS	2-828 102-1
15,9	9,7	PLAIN	ARCAP	1-828 102-3
15,9	9,7	TINPLATED	BRASS	1-828 102-1
11,2	5,0	PLAIN	ARCAP	828 102-3
11,2	5,0	TINPLATED	BRASS	828 102-1
DIM. "A"	DIM. "B"	FINISH	MATERIAL	PARTNUMBER

DIMENSIONS:
mm

DWN G.ACKERMANN 06JUN2005

MATERIAL - FINISH -

CHK M.SCHAARSCHMIDT 06JUN2005

tyco
Electronics tyco Electronics AMP GmbH
D - 67346 Speyer

APVD G.FELDMEIER 06JUN2005

PRODUCT SPEC -

NAME SCREWLOCK, FEMALE HD-SERIES
BEFESTIGUNGSSCHRAUBE, BUCHSENLEISTE

APPLICATION SPEC -

SIZE A4 CAGE CODE 00779 DRAWING NO C=828102 RESTRICTED TO -

WEIGHT -

CUSTOMER DRAWING

SCALE 5:1 SHEET 1 OF 1 REV G2

TOLERANCES UNLESS OTHERWISE SPECIFIED:

0 PLC	±
1 PLC	±0.2
2 PLC	±0.2
3 PLC	±
4 PLC	±
ANGLES	±°

