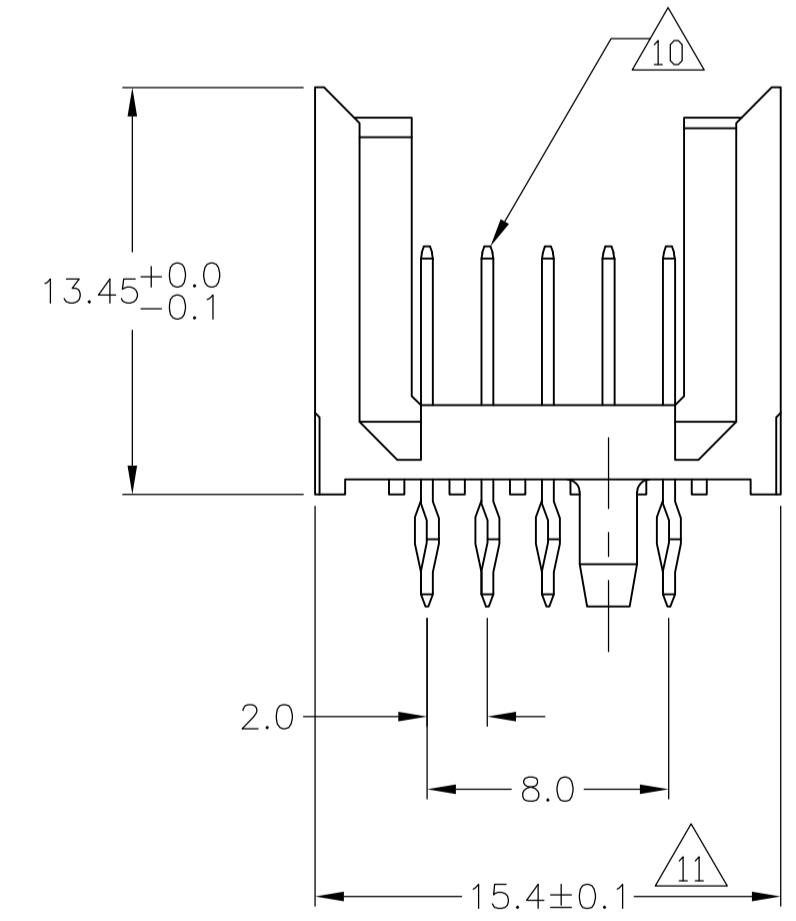
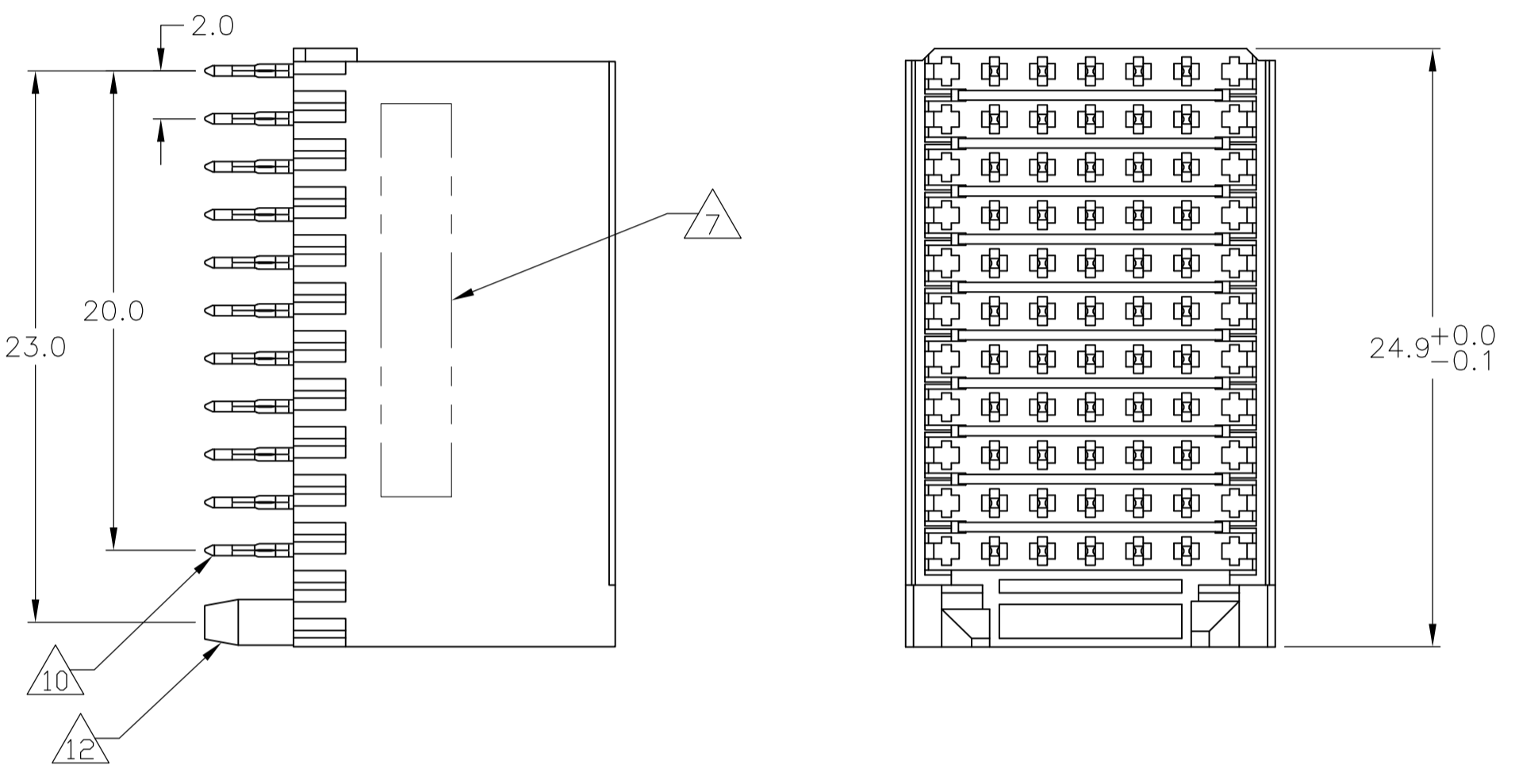


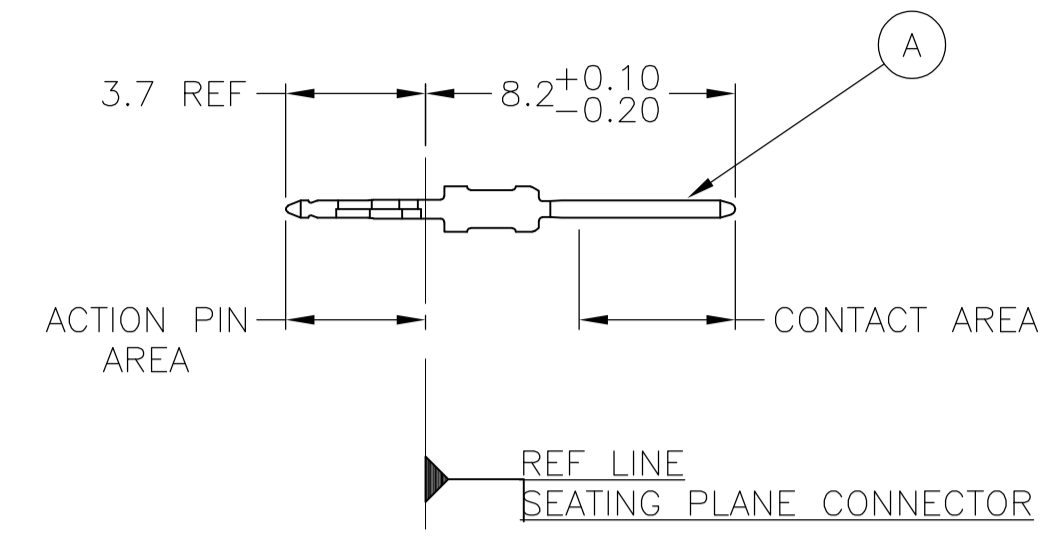
LOC		DIST		REVISIONS			
AD	00	REV	DATE	BY	CHK	APPV	
L1		REVISED PER ECO-10-001916	10MAR2010	JY	SY		
M		ECR-10-018652	10SEP10	SW	MQW		

**CONNECTOR ASSEMBLY
EXAMPLARY LOADED**

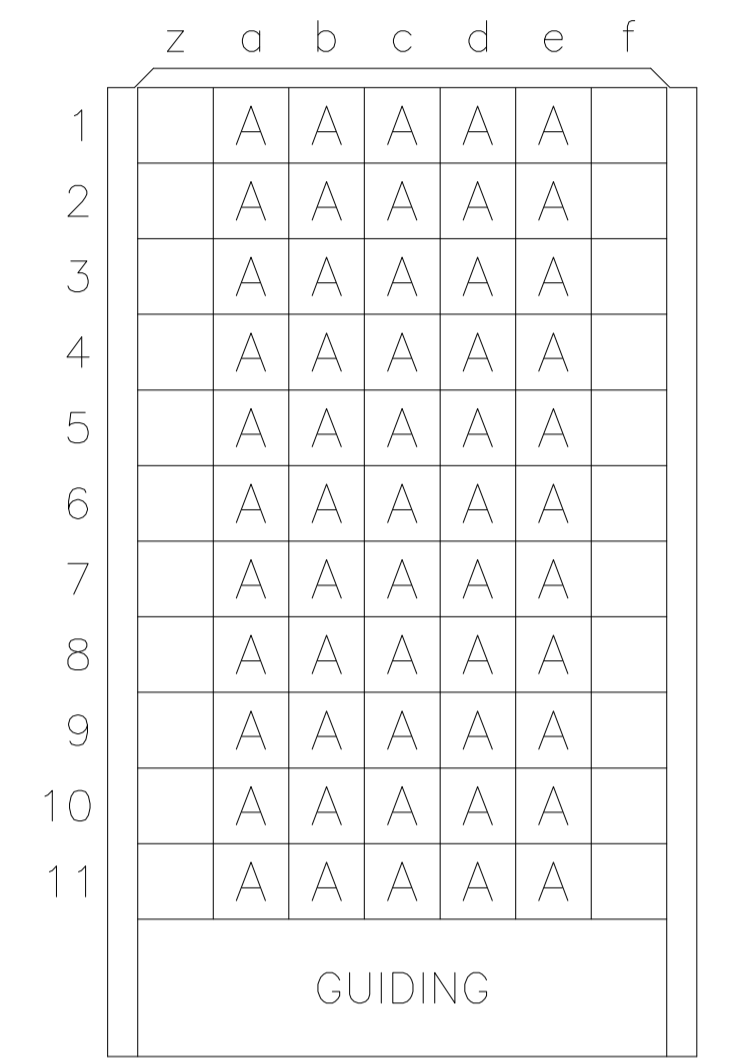


CONTACT DIMENSIONS

SCALE 5:1

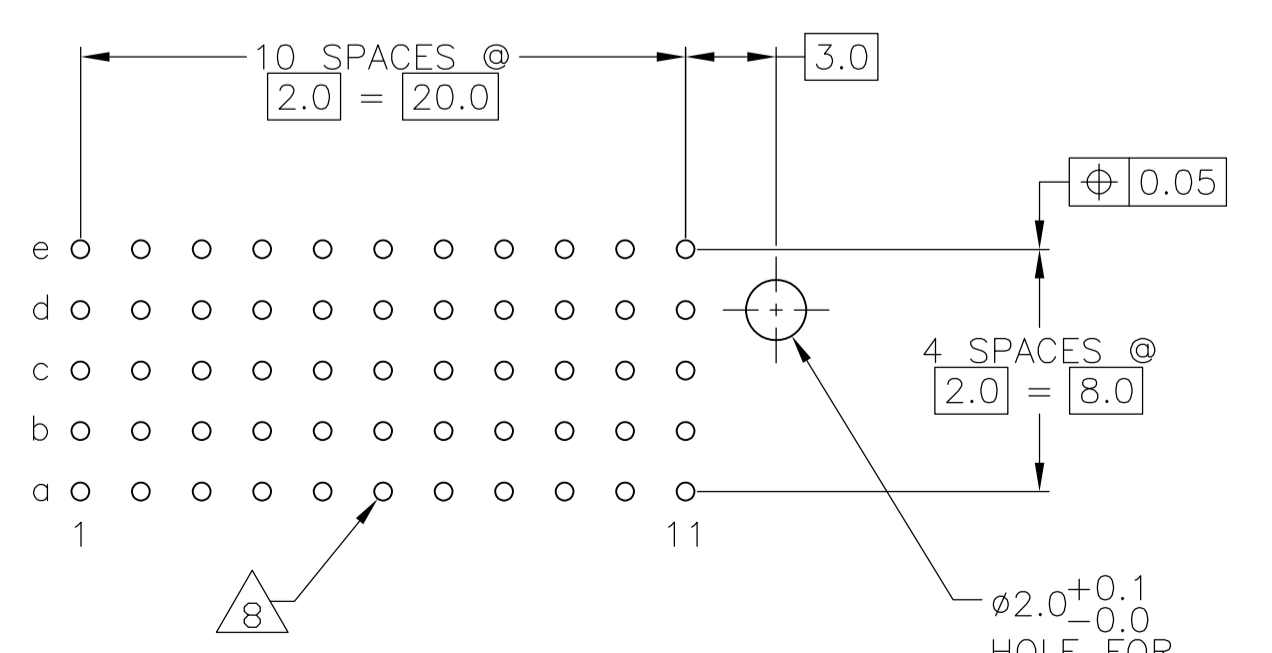


CONTACT LAYOUT



**RECOMMENDED PCB-HOLE LAYOUT
COMPONENT SIDE SHOWN**

PLATED THRU HOLES PARAMETERS
REFERENCE APPLICATION SPECIFICATION



2 3 14	3-100159-0
2 6 13	1-100159-9
2 5 13	100159-9
2 4	100159-4
2 3	100159-1
FINISH	PART NUMBER

THIS DRAWING IS A CONTROLLED DOCUMENT.		DIN		Tyco Electronics Corporation	
DIMENSIONS: mm		F. BEUN 08OCT98		Harrisburg, Pa 17105-3608	
TOLERANCES UNLESS OTHERWISE SPECIFIED:		CHK: R. LEE 08OCT98		NAME: MALE ASSEMBLY, Z-PACK 2mm HM, TYPE C	
0-PLG ±		APVD: F. KONINGSBRUGGE		PRODUCT SPEC: 108-19082	
1-PLG ± 0.2		APPLICATION SPEC: 114-19029		RESTRICTED TO: -	
2-PLG ± 0.02		SIZE: A1		CAGE CODE: 00779	
3-PLG ± 0.005		DRAWING NO: 100159		SCALE: 4:1	
4-PLG ± 0.30°		WEIGHT: -		SHEET 1 OF 2	
ANGLES: SEE TABLE		CUSTOMER DRAWING		REV M	

LOC		DIST		REVISIONS				
P	LTR	DESCRIPTION	DATE	DN	APVD			
AD	00	SEE SHEET 1	-	-	-			

- 1 MATERIAL:
CONTACT: PHOSPHOR BRONZE.
HOUSING: GLASS-FILLED POLYESTER.
- 2 GENERAL PLATING SPECIFICATION: UNDERPLATING
(ENTIRE CONTACT): 1.27µm MIN NICKEL AND ACTION
PIN: 0.5µm MIN TIN/LEAD.
FOR PLATING OF MATING SURFACES SEE APPLICABLE
SPECIFICATION REFERENCE FOR EACH DASH NUMBER.
- 3 CONFORMS TO ALL TESTING ACCORDING TO IEC 61076-4-101
PERFORMANCE LEVEL 2.
- 4 CONFORMS TO ALL TESTING ACCORDING TO IEC 61076-4-101
PERFORMANCE LEVEL 1.
- 5 CONNECTOR TESTED AND QUALIFIED AGAINST TELCORDIA GR-1217-CORE QUALITY LEVEL 3,
CENTRAL OFFICE APPLICATIONS.
- 6 CONNECTOR TESTED AND QUALIFIED AGAINST TELCORDIA GR-1217-CORE QUALITY LEVEL 3,
UNCONTROLLED ENVIROMENT APPLICATIONS.
- 7 CONNECTOR MARKED WITH PART NUMBER AND DATE CODE.
ADDITIONAL CHARACTERS OR MARKINGS, AS WELL AS THE LOCATION OF THE MARKINGS,
MAY BE ADDED FOR TRACEABILITY BASED UPON MANUFACTURERS DISCRETION.
- 8 PLATED-THROUGH HOLES AT 2x2mm SQUARE GRID
PATTERN DEFINED BY CONTACT LAYOUT.
- 9 FOR ACTUAL PIN LOADING SEE "CONTACT LAYOUT".
- 10 FOR ACTUAL PIN DIMENSIONS SEE "CONTACT DIMENSIONS".
- 11 TO BE MEASURED AT BOTTOM OF SHROUD.
- 12 LOCATION PEG.
- 13 CONNECTOR LUBRICATED WITH BELCORE APPROVED LUBRICANT,
TECHNICAL REFERENCE: TR-NWT-001217 ISSUE 1, SEP 1992.
- 14 0.76µm MIN GOLD PLATING AT MATING SURFACES.

THIS DRAWING IS A CONTROLLED DOCUMENT.		DIN F. BEUN 08OCT98	Tyco Electronics Corporation Harrisburg, Pa 17105-3608	
DIMENSIONS: mm		CHK R. LEE 08OCT98	NAME MALE ASSEMBLY, Z-PACK 2mm HM, TYPE C	
TOLERANCES UNLESS OTHERWISE SPECIFIED:		APVD F. KONINGSBRUGGE	PRODUCT SPEC 108-19082	
<ul style="list-style-type: none"> 0-PLC ± 1-PLC ±0.2 2-PLC ±0.02 3-PLC ±0.005 4-PLC ± ANGLES ±0.30° 		APPLICATION SPEC 114-19029	SIZE A1	CAGE CODE 00779
MATERIAL SEE SHEET 1	FINISH SEE SHEET 1	WEIGHT -	DRAWING NO 100159	RESTRICTED TO -
CUSTOMER DRAWING			SCALE 4:1	SHEET 2 OF 2