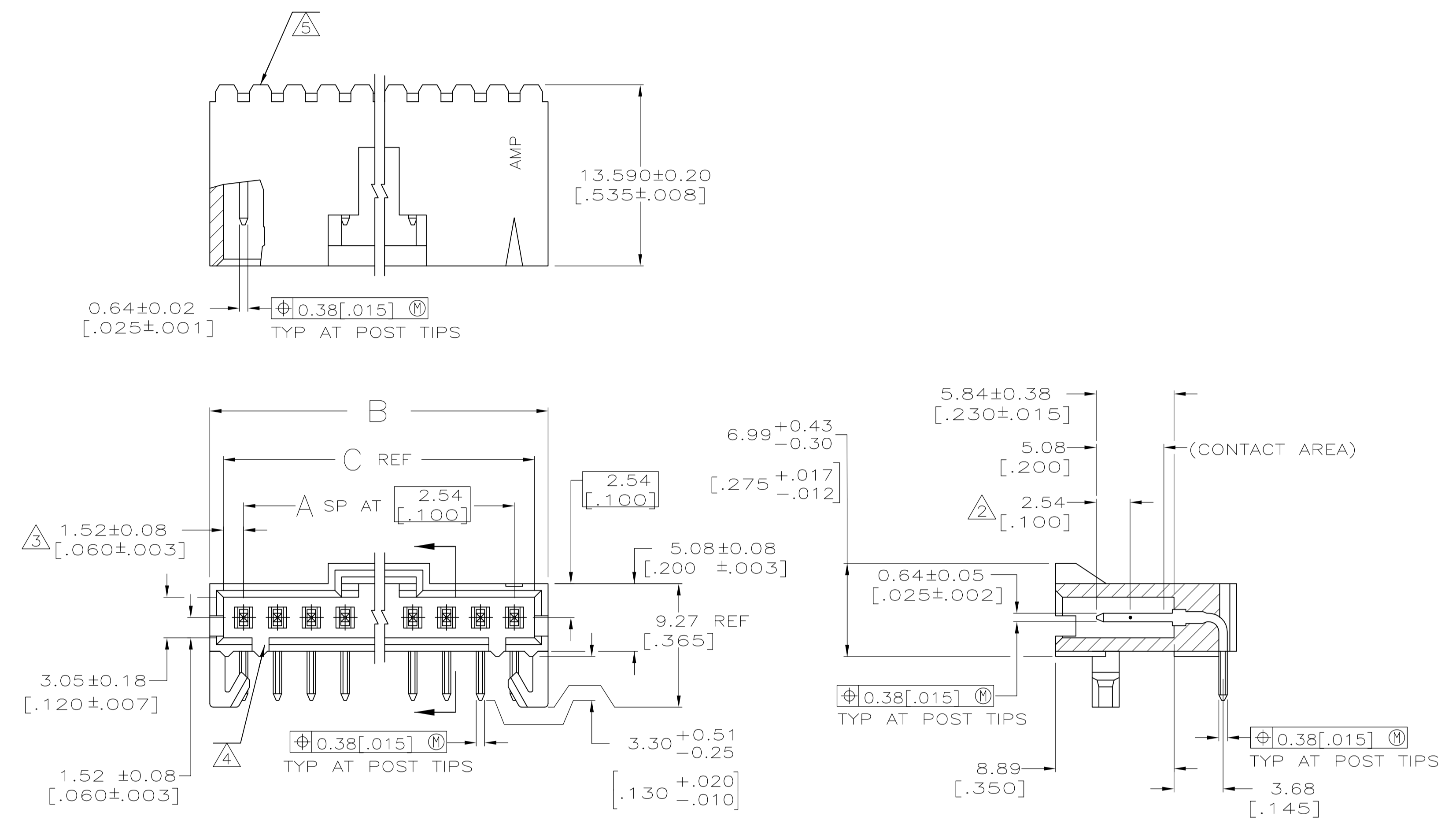
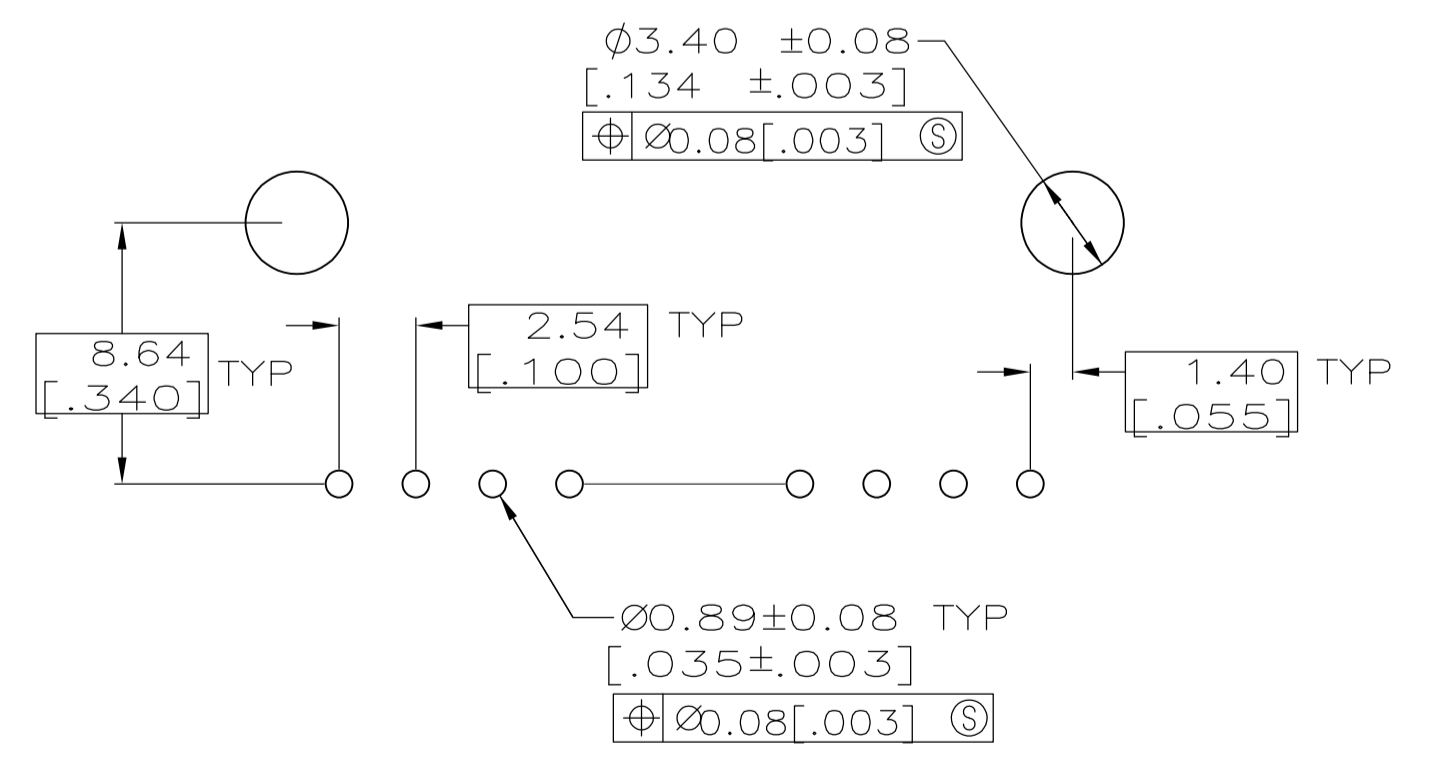


LOC		DIST		REVISIONS			
P	LTR	DESCRIPTION	DATE	DMN	APVD		
T1		ECO-05-014135	08DEC05	RB	JG		
T2		REVISED PER ECO-09-021826	09JAN10	KK	AEG		



- △ .00038[.000015] GOLD IN THE CONTACT AREA, .00254[.000100] MATTE TIN-LEAD ON REMAINDER OF CONTACT, ALL OVER .00127[.000050] NICKEL.
- △ POINT OF MEASUREMENT FOR PLATING THICKNESS.
- △ THE NOTED DIMENSIONS APPLY AT THE INTERSECTION OF THE POST AND THE HOUSING.
- △ ON ASSEMBLIES WITH FOUR OR MORE POSITIONS, TWO POLARIZATION SLOTS. ON ASSEMBLIES WITH TWO OR THREE POSITIONS, ONE POLARIZATION SLOT.
- △ AMP TRADEMARK MOLDED ON THIS SURFACE.
- 6. FOR USE WITH 1.57±0.20[.062±.008] PRINTED CIRCUIT BOARD.
- △ .00038[.000015] GOLD IN THE CONTACT AREA, .00254[.000100] MATTE TIN ON REMAINDER OF CONTACT, ALL OVER .00127[.000050] NICKEL.
- △ PRELIMINARY PART - NOT RELEASED FOR PRODUCTION.
- △ HIGH TEMPERATURE CONFIGURATION.
- △ OBSOLETE PARTS: OBSOLETE CIS STREAMLINING PER D.RENAUD/D.SINISI



RECOMMENDED HOLE LAYOUT

SEE SHEET 2 FOR PART NUMBER TABLES

THIS DRAWING IS A CONTROLLED DOCUMENT.		DIN S. SHUEY 05MAR91	Tyco Electronics Corporation Harrisburg, PA 17105
DIMENSIONS: INCHES		05MAR91	
TOLERANCES UNLESS OTHERWISE SPECIFIED:		APVD J. GESFORD 05MAR91	NAME HDR ASSY, RTANG, SINGLE ROW 2.54[.100] C/L 0.64[.025] SQ. POST, WITH PLZN & HOLD DOWNS, AMPMODU MTE
0 PLC ± -		PRODUCT SPEC	
1 PLC ± -		108-25034	SIZE CAGE CODE DRAWING NO A1 00779 C=103673
2 PLC ± ± 0.13[.005]		APPLICATION SPEC	
3 PLC ± -		114-25026	WEIGHT -
4 PLC ± -		FINISH SEE TABLE	
ANGLES ± ± -		CUSTOMER DRAWING	SCALE 4:1 SHEET 1 OF 2 REV T2

REMARKS	PLATING	C	B	A	NO. OF POSN	PART NO.
		64.01 [2.520]	66.04 [2.600]	24	25	7-103673-4
		61.47 [2.420]	63.50 [2.500]	23	24	7-103673-3
		58.93 [2.320]	60.96 [2.400]	22	23	7-103673-2
		56.39 [2.220]	58.42 [2.300]	21	22	7-103673-1
		53.85 [2.120]	55.88 [2.200]	20	21	7-103673-0
		51.31 [2.020]	53.34 [2.100]	19	20	6-103673-9
		48.77 [1.920]	50.80 [2.000]	18	19	6-103673-8
		46.23 [1.820]	48.26 [1.900]	17	18	6-103673-7
		43.69 [1.720]	45.72 [1.800]	16	17	6-103673-6
		41.15 [1.620]	43.18 [1.700]	15	16	6-103673-5
		38.61 [1.520]	40.64 [1.600]	14	15	6-103673-4
		36.07 [1.420]	38.10 [1.500]	13	14	6-103673-3
		33.53 [1.320]	35.56 [1.400]	12	13	6-103673-2
		30.99 [1.220]	33.02 [1.300]	11	12	6-103673-1
		28.45 [1.120]	30.48 [1.200]	10	11	6-103673-0
		25.91 [1.020]	27.94 [1.100]	9	10	5-103673-9
		23.37 [.920]	25.40 [1.000]	8	9	5-103673-8
		20.83 [.820]	22.86 [.900]	7	8	5-103673-7
		18.29 [.720]	20.32 [.800]	6	7	5-103673-6
		15.75 [.620]	17.78 [.700]	5	6	5-103673-5
		13.21 [.520]	15.24 [.600]	4	5	5-103673-4
		10.67 [.420]	12.70 [.500]	3	4	5-103673-3
		8.13 [.320]	10.16 [.400]	2	3	5-103673-2
		5.59 [.220]	7.62 [.300]	1	2	5-103673-1

PLATING	C	B	A	NO. OF POSN	PART NO.	
		41.15 [1.620]	43.18 [1.700]	15	16	2-103673-6
		18.29 [.720]	20.32 [.800]	6	7	2-103673-5
		64.01 [2.520]	66.04 [2.600]	24	25	2-103673-4
		61.47 [2.420]	63.50 [2.500]	23	24	2-103673-3
		58.93 [2.320]	60.96 [2.400]	22	23	2-103673-2
		56.39 [2.220]	58.42 [2.300]	21	22	2-103673-1
		53.85 [2.120]	55.88 [2.200]	20	21	2-103673-0
		51.31 [2.020]	53.34 [2.100]	19	20	1-103673-9
		48.77 [1.920]	50.80 [2.000]	18	19	1-103673-8
		46.23 [1.820]	48.26 [1.900]	17	18	1-103673-7
		43.69 [1.720]	45.72 [1.800]	16	17	1-103673-6
		41.15 [1.620]	43.18 [1.700]	15	16	1-103673-5
		38.61 [1.520]	40.64 [1.600]	14	15	1-103673-4
		36.07 [1.420]	38.10 [1.500]	13	14	1-103673-3
		33.53 [1.320]	35.56 [1.400]	12	13	1-103673-2
		30.99 [1.220]	33.02 [1.300]	11	12	1-103673-1
		28.45 [1.120]	30.48 [1.200]	10	11	1-103673-0
		25.91 [1.020]	27.94 [1.100]	9	10	103673-9
		23.37 [.920]	25.40 [1.000]	8	9	103673-8
		20.83 [.820]	22.86 [.900]	7	8	103673-7
		18.29 [.720]	20.32 [.800]	6	7	103673-6
		15.75 [.620]	17.78 [.700]	5	6	103673-5
		13.21 [.520]	15.24 [.600]	4	5	103673-4
		10.67 [.420]	12.70 [.500]	3	4	103673-3
		8.13 [.320]	10.16 [.400]	2	3	103673-2
		5.59 [.220]	7.62 [.300]	1	2	103673-1

THIS DRAWING IS A CONTROLLED DOCUMENT.

DIMENSIONS: INCHES

TOLERANCES UNLESS OTHERWISE SPECIFIED:
 0. PLC ± -
 1. PLC ± -
 2. PLC ± 0.13[.005]
 3. PLC ± -
 4. PLC ± -
 ANGLES ± -

MATERIAL: - FINISH: SEE TABLE

APPROVED: J. GESFORD

DESIGNED: S. SHUEY

DATE: 05MAR91

SCALE: 4:1

SIZE: A1

WEIGHT: -

CAGE CODE: 114-25026

DRAWING NO: 00779

REVISIONS: 103673

CUSTOMER DRAWING

SCALE: 4:1 SHEET 2 OF 2 REV T2

Tyco Electronics Corporation
 Harrisburg, PA 17105

HDR ASSY, RTANG, SINGLE ROW
 2.54[.100] C/L 0.64[.025] SQ. POST,
 WITH PLZN & HOLD DOWNS, AMPMODU MTE