

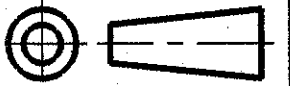
DO NOT SCALE

DIMENSIONS IN mm

METRIC

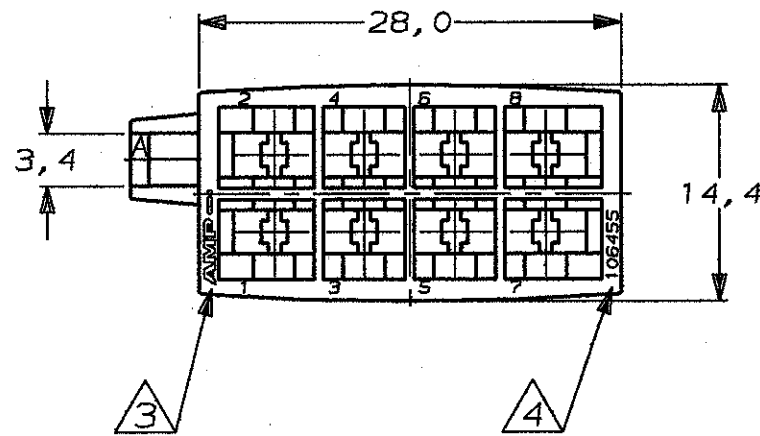
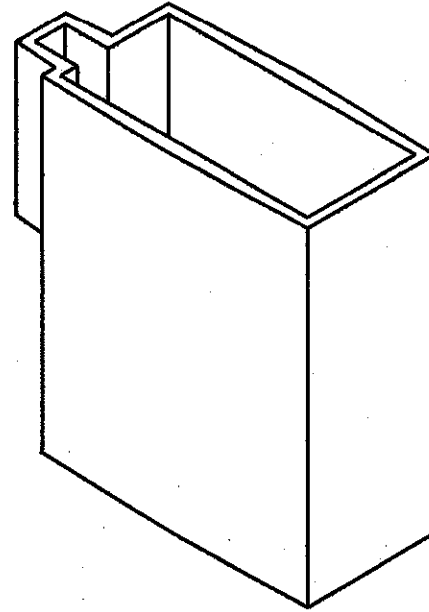
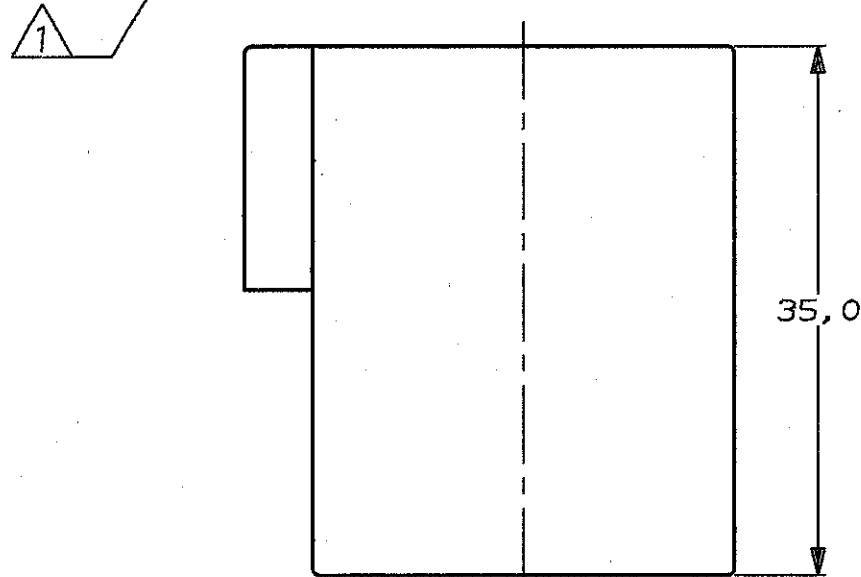
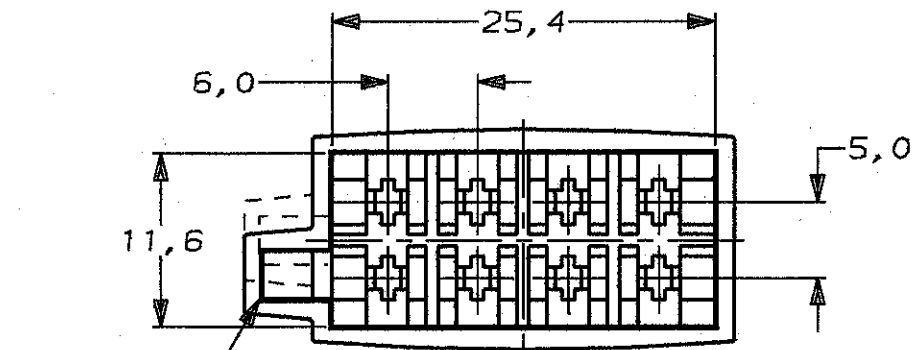
THIRD ANGLE

PROJECTION



NOTES:

- ① TWO DIFFERENT KEYING VERSIONS
- ② TABS 160743 (STANDARD) AND 927892 (SIDEWAY) CAN BE USED IN THIS HOUSING
- ③ AMP TRADE MARK.
- ④ AMP PN. IDENTIFICATION.



-1 AS SHOWN

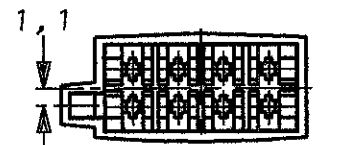
BROWN	PBT	106455-4
GREY	PBT	106455-3
YELLOW	PBT	106455-2
BLACK	PBT	106455-1

		FINISH	MATERIAL	PARTNUMBER	
-	-	-	-	-	
<b>CUSTOMER DRAWING</b> FOR REFERENCE ONLY WILL NOT BE UPDATED					
© COPYRIGHT 19- BY AMP HOLLAND B.V. ALL INTERNATIONAL RIGHTS RESERVED. AMP PRODUCTS MAY BE COVERED BY U.S. AND FOREIGN AND/OR PATENTS PENDING.					
THIS DRAWING IS UNPUBLISHED RELEASED FOR PUBLICATION _____, 19____					
D	EH-0255-94	JvL	RotB	13-04-94	
C	EH-0003-94	JvL	RotB	12-01-94	
B	EH-0795-93	JvL	RotB	19-10-93	
A	EH-0692-93	JvL	RotB	17-09-93	
O	EH-0587-93	JvL	RotB	23-07-93	
LTR.	REVISION RECORD		DR.	CHK.	DATE
DR.:	J.v.LIEMPT	CHK.:	R.o.t.BERG	APP.:	A.v.SOEST
DATE:	23 JUL 93	DATE:	-	DATE:	20-494
		DWG.No.		REV.LTR.	SHEET
		C-106455		D	1 OF 1

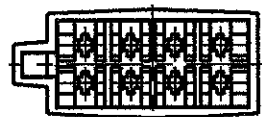


AMP HOLLAND B.V. 's-Hertogenbosch, The Netherlands.

8 POS 2,8MM TAB HOUSING



KEYING FOR -1 AND -3



KEYING FOR -2 AND -4