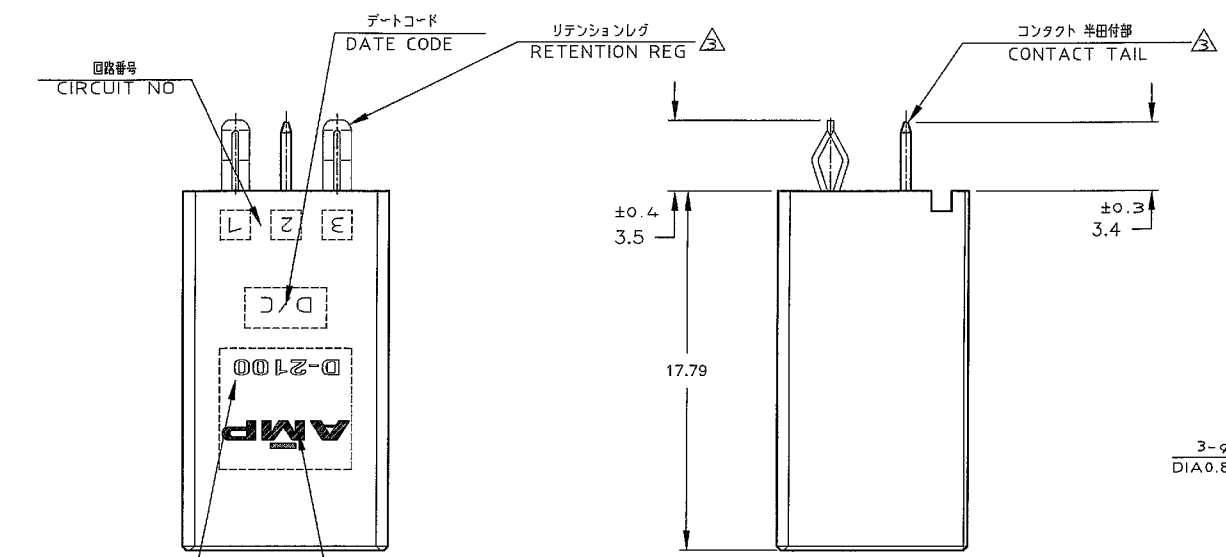
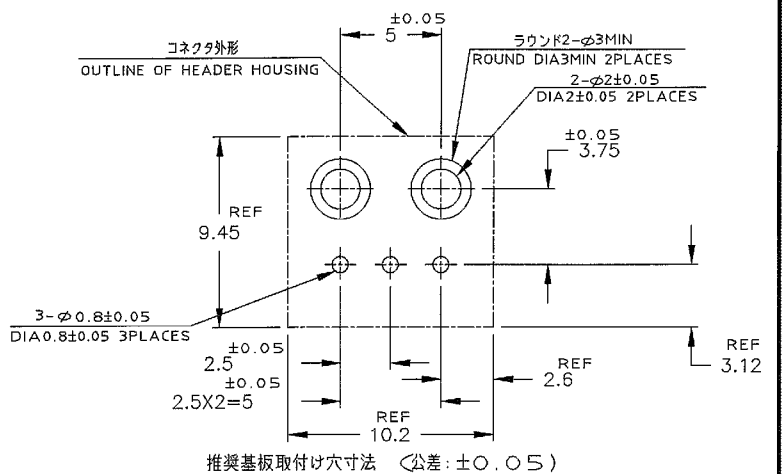
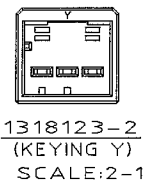
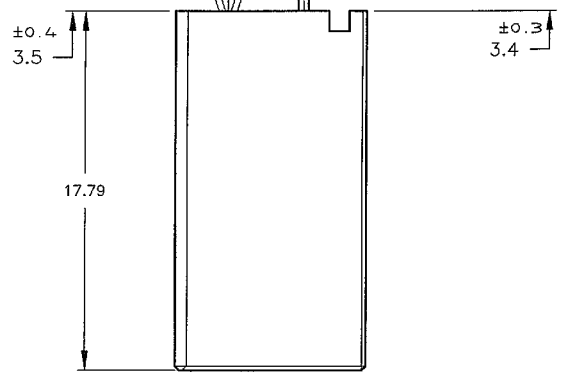
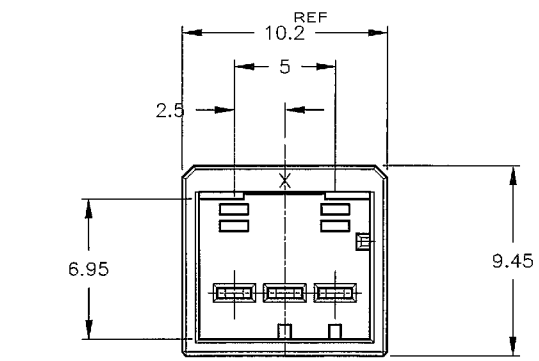


THIS DRAWING IS UNPUBLISHED. RELEASED FOR PUBLICATION .1998
 © COPYRIGHT 1998 BY AMP INCORPORATED. ALL RIGHTS RESERVED.

REVISIONS					
P	LTR	DESCRIPTION	ECN	DATE	DWN APVD
0		RELEASED	FJ00-1421-98	7/DEC 98	K.I.K.H
A		REVISED	FJ00-1080-00	2/SEP 00	Y.K.S.M
B		REVISED	FJD0-0039-03	2/JUN 03	T.S.S.M



シリーズマーク
SERIES MARK
AMP マーク
AMP MARK



RECOMENDED PC BOARD HOLE PATTERN(TOL:±0.05)
 PC BOARD THICKNESS:1.6±0.3 (CONNECTOR MOUNT SIDE)

- NOTES
- MATERIAL:HOUSING:GLASS FILED THERMO PLASTIC POLYESTER(94V-0),COLOR:BLACK
- TAB CONTACT:COPPER ALLOY
 RETENTION LEG:BRASS
- FINISH(CONTACT AREA):0.38μmMIN GOLD PLATING OVER Ni PLATING
 - FINISH(RETENTION LEG): TIN PLATED (CONTACT TAIL) OVER NICKEL

- 注記
- 材料:ハウジング:ガラス入り熱可塑性ポリエステル樹脂(94V-0),色:黒
 タブコンタクト:銅合金
 リテンションレグ:黄銅
- めっき:コンタクト:全面Ni下地
 膜厚:0.38μm MIN金めっき
 - めっき:リテンションレグとコンタクト半田付部
 :ニッケル下地の下にスズめっき

THIS DRAWING IS A CONTROLLED DOCUMENT FOR AMP INCORPORATED. IT IS SUBJECT TO CHANGE AND THE CONTROLLING ENGINEERING ORGANIZATION SHOULD BE CONTACTED FOR THE LATEST REVISION.		CHK K.IKEDA 7/DEC/98	Tyco Electronics Tyco Electronics AMP K.K. Kawasaki, Japan	
DIMENSIONS: 単位:mm	TOLERANCES UNLESS OTHERWISE SPECIFIED: 一般公差 7φ: ±0.3 3φ: ±0.35 10φ: ±0.4 ANGLE: ±3°	APVD N.MATSUBARA 7/DEC/98	NAME I.HASEGAWA 1別 ヘッダーアセンブリー 3P (垂直タイプ) SINGLE ROW HEADER ASS'Y 3P ("V"TYPE) <DYNAMIC D-2100D>	DRAWING NO C=1318123
MATERIAL 注記参照 SEE NOTES	FINISH 注記参照 SEE NOTES	PRODUCT SPEC 108-5619	APPLICATION SPEC 114-5258	RESTRICTED TO -
CUSTOMER DRAWING		WEIGHT T1	SIZE A3	CAGE CODE 00779
		SCALE 4-1		SHEET 1 OF 1