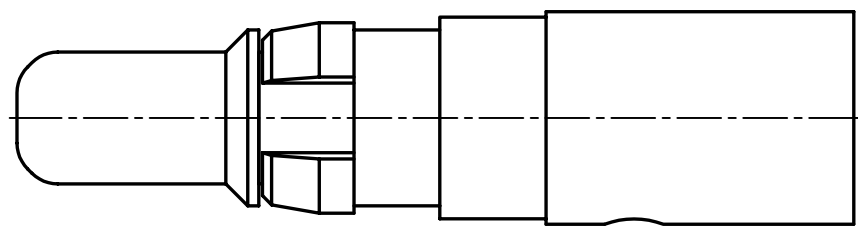
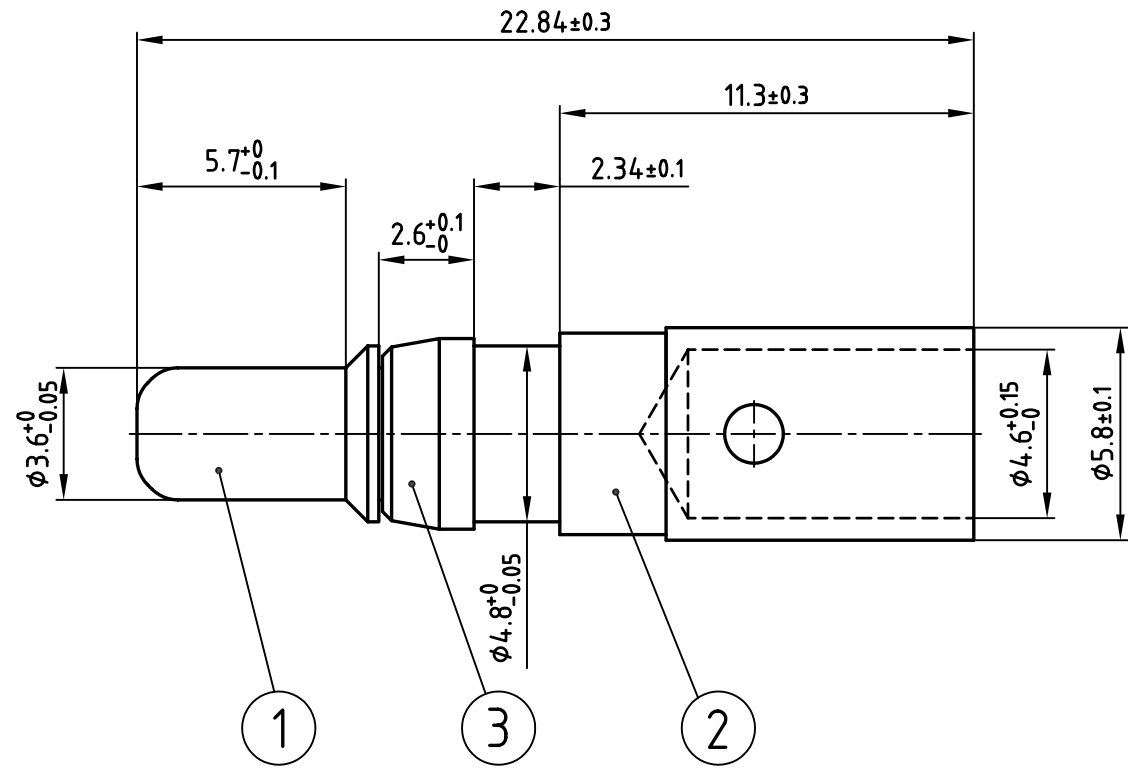


used for: D-SUB COMBINATION



NOTES:

- 1. MATERIAL: COPPER ALLOY
- 2. PLATING:
ITEM 1: SEE TABLE
ITEM 2: min. 8µ" HARD GOLD OVER min. 50µ" NICKEL
ITEM 3: NICKEL PLATED

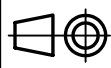
PLATING ITEM 1	PART-NO.
30µ" HARD GOLD OVER min. 50µ" NICKEL	131C11049X
50µ" HARD GOLD OVER min. 50µ" NICKEL	131J11049X



THIS DRAWING MAY NOT BE COPIED OR REPRODUCED IN ANY WAY, AND MAY NOT BE PASSED ON TO A THIRD PARTY WITHOUT WRITTEN PERMISSION.
 OWNERSHIP AND COPYRIGHT OF CONEC GmbH
 DO NOT ALTER CAD DRAWING BY HAND

rev.	description	date	name

tolerance
ISO 2768-m



scale: 5:1
material: SEE NOTES

title:
HIGH POWER CONTACT MALE
CRIMP VERSION 40A
D-SUB COMBINATION



dwg no: CAD/ REL.14
13K11D4A
product no: SEE TABLE

DIN-A
4
sh: 1/1