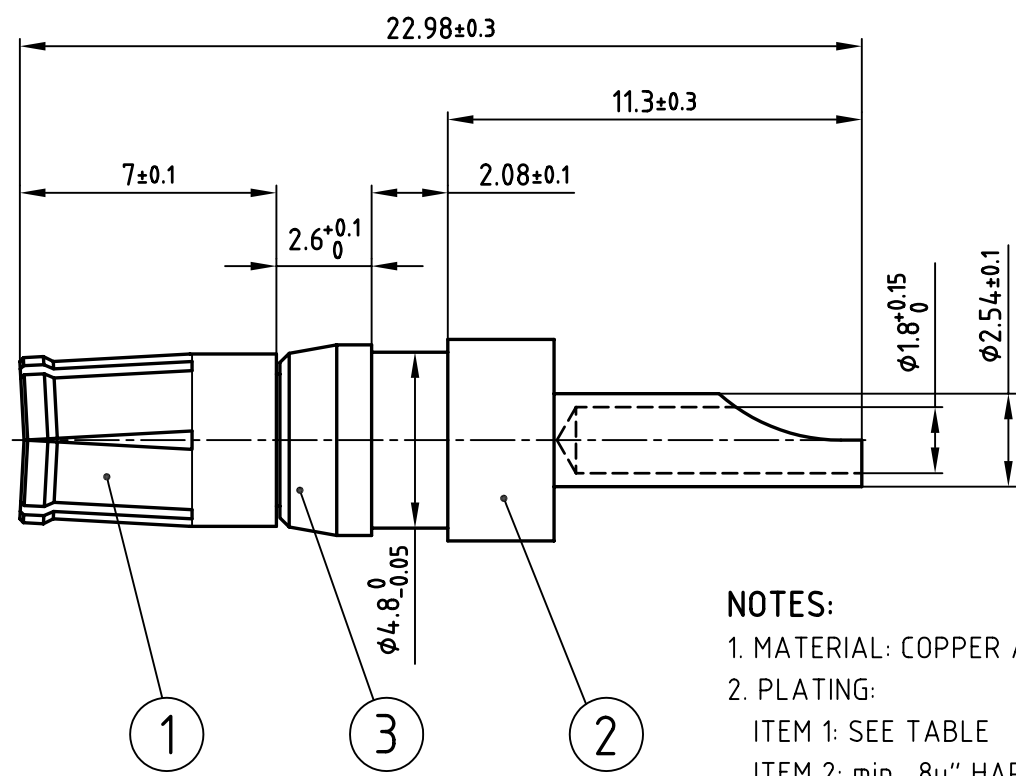
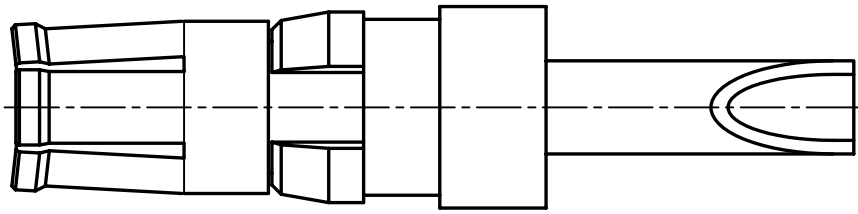


used for: D-SUB COMBINATION



- NOTES:**
- 1. MATERIAL: COPPER ALLOY
 - 2. PLATING:
 - ITEM 1: SEE TABLE
 - ITEM 2: min. 8µ" HARD GOLD OVER min. 50µ" NICKEL
 - ITEM 3: NICKEL PLATED



Plating item 1	Part-NO. CONEC
min. 30µ" HARD GOLD OVER min. 50µ" NICKEL	132C10019X
min. 50µ" HARD GOLD OVER min. 50µ" NICKEL	132J10019X



THIS DRAWING MAY NOT BE COPIED OR REPRODUCED IN ANY WAY, AND MAY NOT BE PASSED ON TO A THIRD PARTY WITHOUT WRITTEN PERMISSION.
 OWNERSHIP AND COPYRIGHT OF CONEC GmbH
 DO NOT ALTER CAD DRAWING BY HAND

tolerance		
ISO 2768-m		
1998	date	name
drawn	23.03.	Barcinski
appd.	23.03.	Mickenbecker
norm		
d-old	SK211H10	
rev.	description	date

scale:	5:1	
material:	SEE NOTES	
title:	HIGH POWER CONTACT FEMALE SOLDER CUP 10A D-SUB COMBINATION	
dwg no:	CAD/ REL.13	DIN-A
	13K11E3A	4
		sh: 1/1
product no:	SEE TABLE	

4 3 2 1