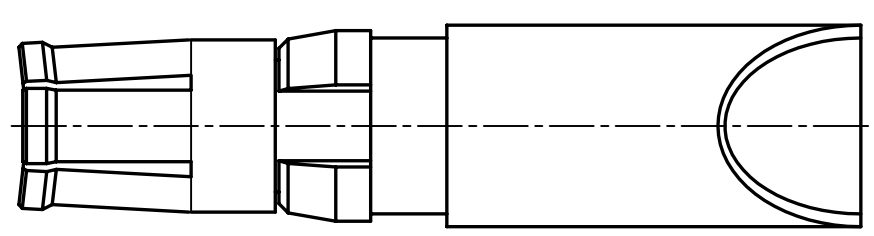
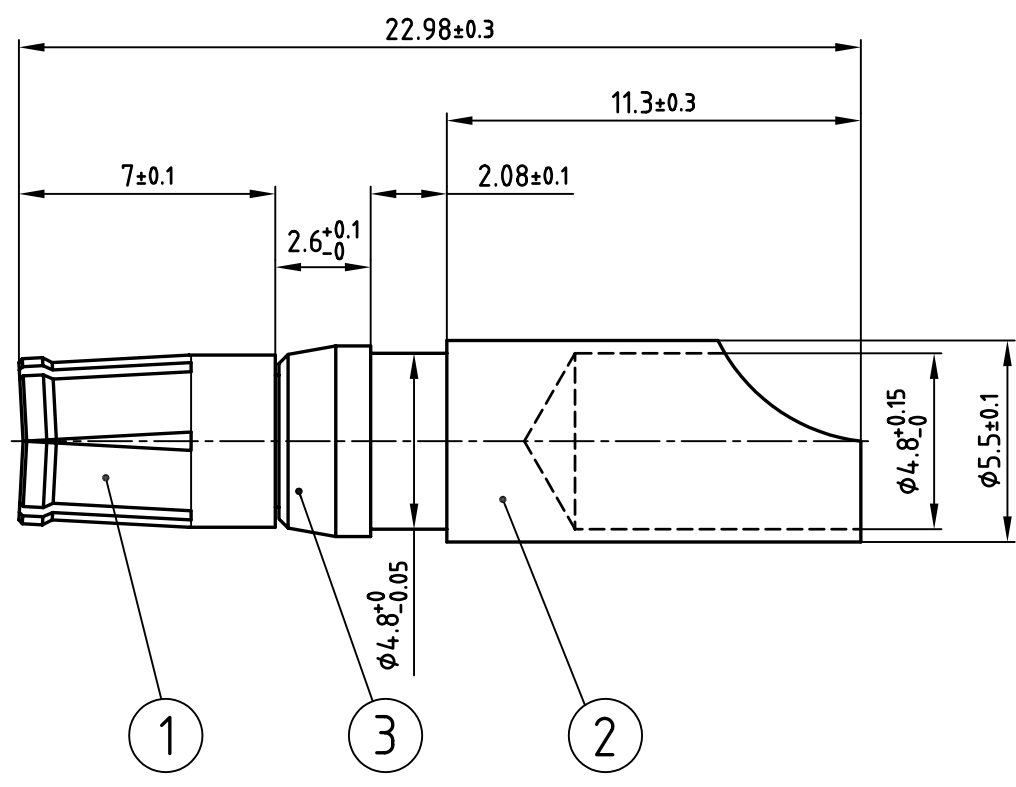


used for: D-SUB COMBINATION



NOTES:

- 1. MATERIAL: COPPER ALLOY
- 2. PLATING:
 ITEM 1: min. 30µ" HARD GOLD OVER min. 50µ" NICKEL
 ITEM 2: min. 8µ" HARD GOLD OVER min. 50µ" NICKEL
 ITEM 3: NICKEL PLATED

Directive 2002/95/EC
„RoHS“
Compliant

THIS DRAWING MAY NOT BE COPIED OR REPRODUCED IN ANY WAY, AND MAY NOT BE PASSED ON TO A THIRD PARTY WITHOUT WRITTEN PERMISSION.
OWNERSHIP AND COPYRIGHT OF CONEC GmbH
DO NOT ALTER CAD DRAWING BY HAND

| | | | tolerance | | |
|-------|-------------|--------------|---------------|--|--|
| 1998 | date | name | | | |
| drawn | 23.03. | Barcinski | | | |
| appd. | 23.03. | Mickenbecker | | | |
| norm | | | | | |
| d-old | | | | | |
| rev. | description | date | CONEC® | | |

| | |
|-----------|-------------------------------------------------------------------------|
| scale: | 5:1 |
| material: | SEE NOTES |
| title: | HIGH POWER CONTACT FEMALE SOLDER CUP 40A D-SUB COMBINATION |
| dwg no: | AutoCAD/REL.13 |
| part no: | 132C10049X |

DIN-A
4
sh: 1/1