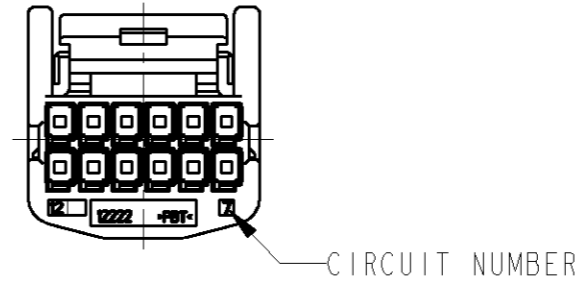
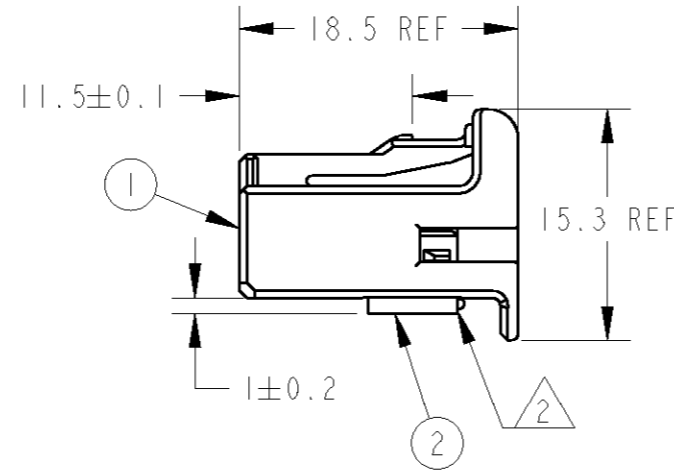
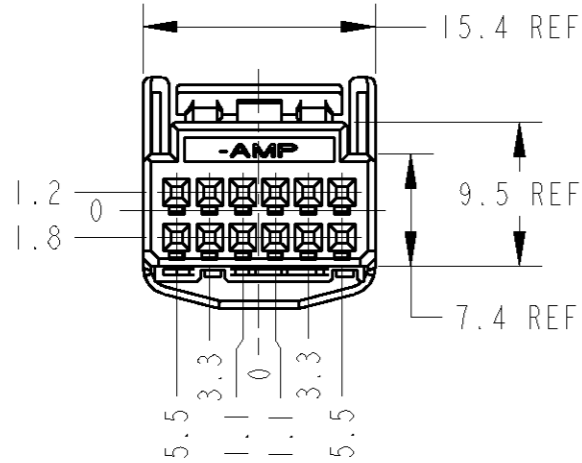
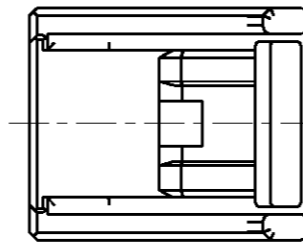


THIS DRAWING IS UNPUBLISHED. RELEASED FOR PUBLICATION
 © COPYRIGHT 2000 BY TYCO ELECTRONICS CORPORATION. ALL RIGHTS RESERVED.

| LOC | DIST | REVISIONS | | | | | | |
|-----|------|-----------|-----|-------------|--------------|---------|-----|------|
| | | P | LTR | DESCRIPTION | ECN | DATE | DWN | APVD |
| J | | | 0 | RELEASED | FJ00-0058-01 | 23JAN01 | Y.K | N.S |



- RETAINER SHOULD BE SET TO THE PRE- ASSEMBLY POSITION WITHIN THE PLUG HOUSING WHEN SHIPPED TO THE CUSTOMER
- THE RETENTION LATCH OF THE RETAINER MUST BE OUT SIDE OF PLUG HOUSING WHEN PRE-ASSEMBLY
- RETAINER RETENTION FORCE FROM HOUSING : 30N MIN
- INSTRUCTION SHEET NO : 411-5928
- PART NUMBER OF CAP HOUSING TO BE MATED : SEE TABLE-1
- APPLIED TERMINAL : SEE TABLE-2

- プラグハウジングにリテーナーを仮止して出荷する
- 仮係止時リテーナー突起がハウジングの外側に出ていること
- リテーナーの仮係止保持力は 30N 以上
- 取扱い説明書 NO : 411-5928
- 嵌合相手型番は TABLE-1参照
- 適用端子は TABLE-2参照

TABLE-1

| POS 極数 | CAP ASSEMBLY PART NO キャップ 型番 |
|-----------|------------------------------------|
| 12 | 1318772 |

TABLE-2

| SIGNAL | | TIN | TERMINAL NO 端子型番 | APPLICABLE WIRE RANGE (FEMALE) 通用電線 |
|--------|--|-----|------------------------|---|
| 025 | | | 1123343-1 | AVSS/CAVUS 0.3~0.5mm ² CAVS 0.22~0.5mm ² AVSSH-f 0.3~0.5mm ² |

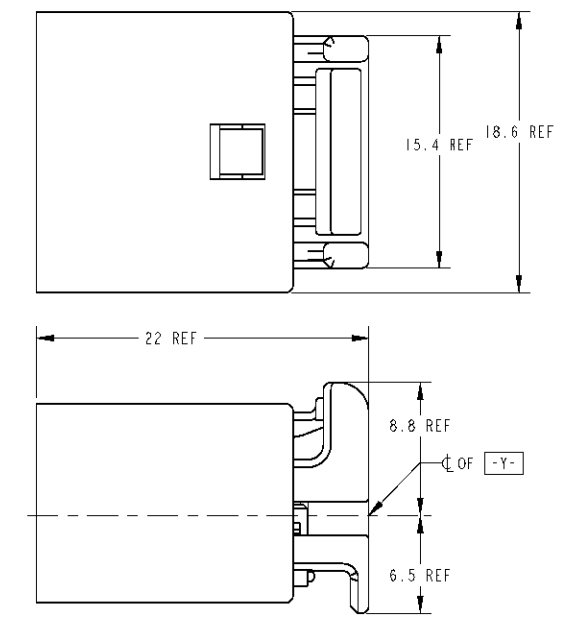
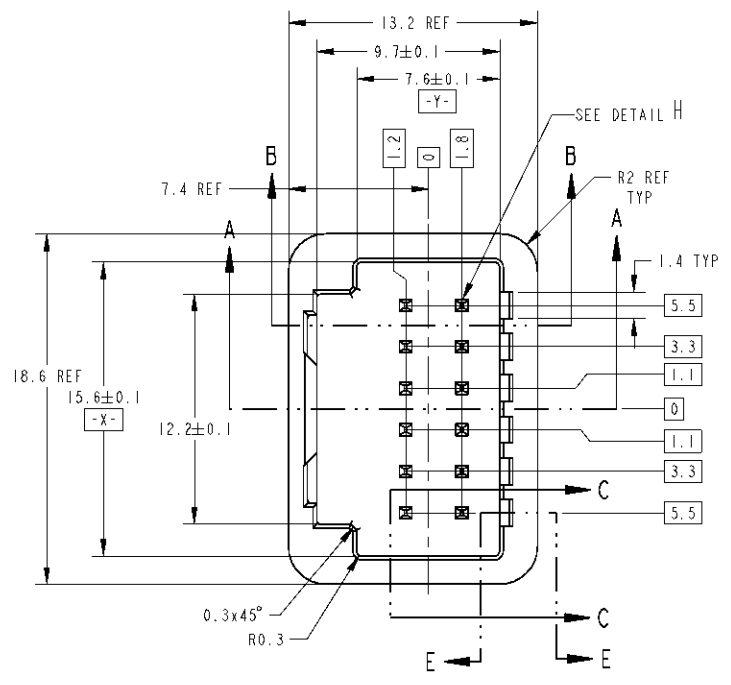
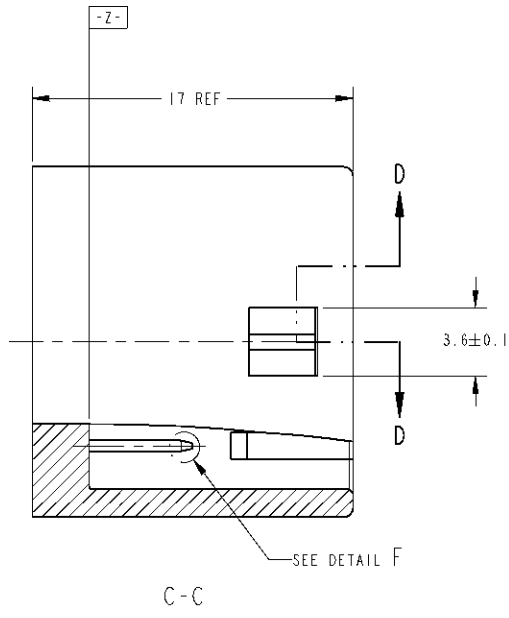
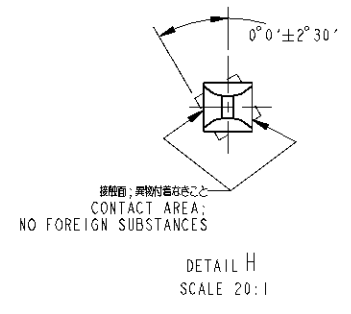
THIS DRAWING IS A CONTROLLED DOCUMENT FOR TYCO ELECTRONICS CORPORATION
 IT IS SUBJECT TO CHANGE AND THE CONTROLLING ENGINEERING ORGANIZATION
 SHOULD BE CONTACTED FOR THE LATEST REVISION.

| | |
|----------------------------|---|
| DIMENSIONS: 単位: 概 mm | TOLERANCES UNLESS OTHERWISE SPECIFIED: 一般公差 = ± 0.3 |
| | 0-PLC ± |
| | 1-PLC ± |
| | 2-PLC ± |
| | 3-PLC ± |
| | 4-PLC ± |
| | ANGLES ± 3° |
| MATERIAL 材料 | FINISH 仕上 |
| PBT | SEE TABLE |

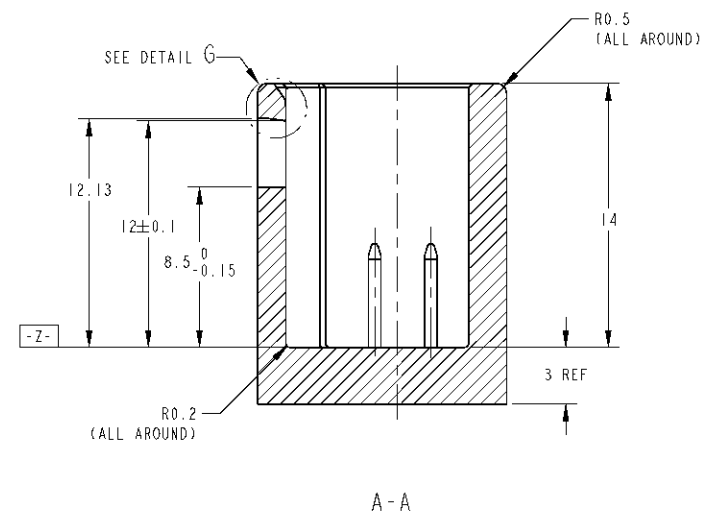
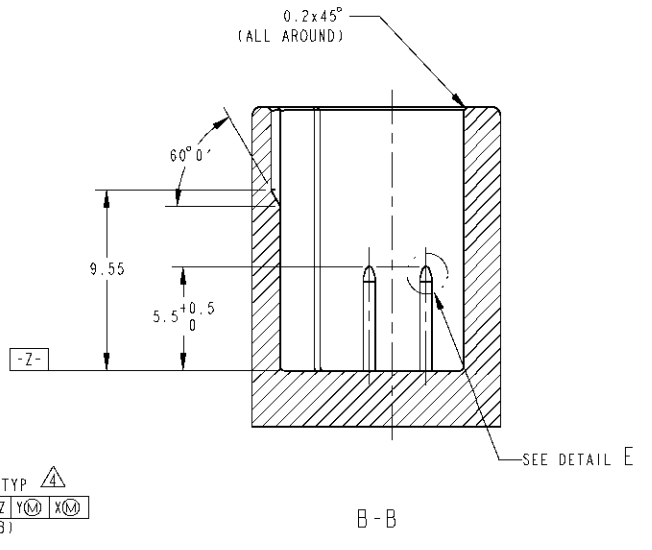
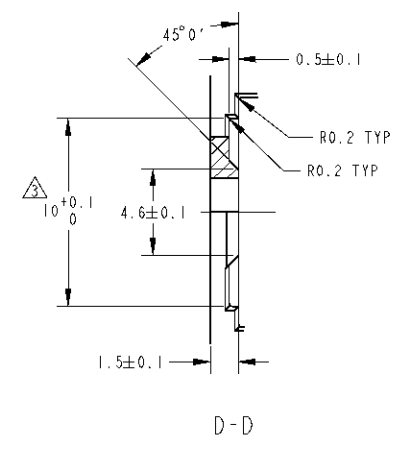
| PLASTIC BAG ビニール袋 | INNER 内装 | PACKING STYLE 梱包形態 | | |
|-------------------|-----------|--------------------------------|--------------|-----|
| PAPER BOX タンボール箱 | OUTER 外装 | | | |
| 1 | 1318776-1 | 12P RETAINER | NATURAL | 2 |
| 1 | 1376674-1 | 12P PLUG HOUSING SHORT BODY | BLACK | 1 |
| 1376675-1 | PART NO. | NAME | FINISH/COLOR | NO. |

| | | | | |
|--|--------------------------|---|--|-------------------------------|
| DWN Y. KAWAHARA 23JAN01 | CHK N. SAI 23JAN01 | APVD N. SAI 23JAN01 | Tyco Electronics AMP K.K. Kawasaki, Japan | |
| PRODUCT SPEC 製品規格 108-5668 | | NAME 名称 025 SERIES CONNECTOR 12 POS PLUG HOUSING ASSY SHORT BODY | | |
| APPLICATION SPEC 取付適用規格 114-5250 | | SIZE 寸法 A3 | CAGE CODE 番号 00779 | DRAWING NO 番号 C-1376675 |
| WEIGHT 重量 1.8 g | | RESTRICTED TO | | |
| CUSTOMER DRAWING | | SCALE 尺度 2:1 | SHEET 1 | OF 2 |
| | | REV 0 | | |

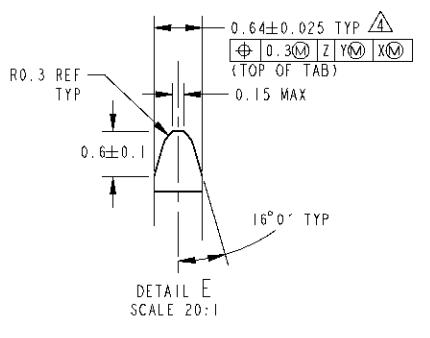
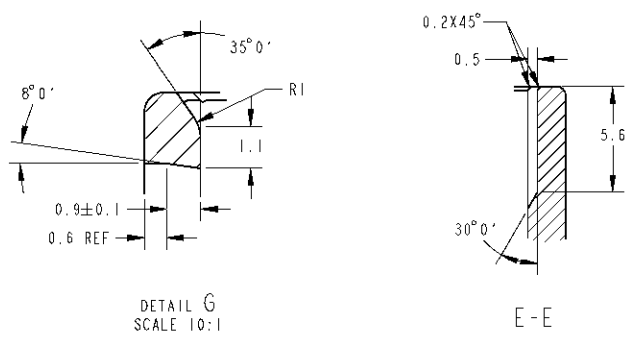
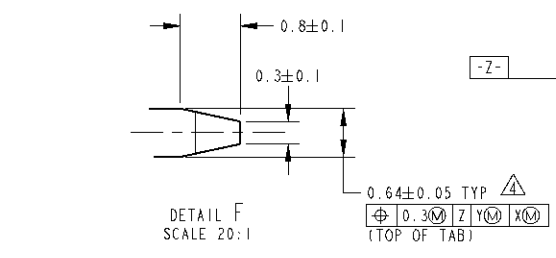
| REV | DATE | DESCRIPTION | BY | CHK | APPD |
|-----|------|------------------|----|-----|------|
| J | | SEE SHEET 1 OF 2 | | | |



CAP ASSEMBLY & PLUG ASSEMBLY ENGAGEMENT VIEW
 CAP ASSEMBLY & PLUG ASSEMBLY 接合図 SCALE 4:1



- UNSPECIFIED DRAFT ANGLE ; 0.5° MAX
- WARPAGE ; 0.15 MAX, FLASH ; 0.2 MAX
- NO DRAFT ANGLE
- POSITION TOLERANCE FOR ROOT OF TAB:
 $\text{M} \begin{matrix} \oplus \\ \ominus \end{matrix} 0.10 \begin{matrix} \text{Z} \\ \text{Y} \end{matrix} \begin{matrix} \text{M} \\ \text{X} \end{matrix}$
- AS FOR THE HANDLING OF THIS PRODUCT, FOLLOW THE INSTRUCTION SHEET NO.411-5928
- HOUSING MATERIAL ; PBT GF15X
- TERMINAL MATERIAL ; BRASS(USN NO. C26000, C26800)
 TIN-PLATED 0.8-1.5 μm OVER COPPER PLATED 0.5-1.5 μm .
- THIS SHEET FOR CAP HOUSING DESIGN TO BE MATED WITH AMP P/N 1376675-1



- 指示なき場合は、0.5° 以内
- 各部の厚さは、0.150mm 以内、凡脚は0.2mm 以内
- 抜き勾配は許容しない
- 端子の根元の位置公差は、 $\text{M} \begin{matrix} \oplus \\ \ominus \end{matrix} 0.10 \begin{matrix} \text{Z} \\ \text{Y} \end{matrix} \begin{matrix} \text{M} \\ \text{X} \end{matrix}$
- 本製品の取扱は、取扱説明書NO.411-5928に従ふこと
- ハウジング材料 ; PBT GF15X
- 端子材料 ; BRASS (USN NO. C26000, 26800相当)に、銅下地めっき0.5-1.5 μm を施した後、めっきめっき0.8-1.5 μm を施すこと
- 本シートは、標準仕様図である。適合相手部品 ; AMP P/N 1376675-1

| | | | | | | | |
|-----------------------|--|---|--|---|--|---|--|
| DIMENSIONS: mm | | TOLERANCES UNLESS OTHERWISE SPECIFIED: 公差は0.15 0-PLC ±0.15 1-PLC ±0.5 2-PLC ±0.13 3-PLC ±0.033 4-PLC ±0.001 ANGLES ±1° MAX | | DWN T. KAWAHARA 23JAN01 CHK - APD - NAME PRODUCT SPEC 108-5668 APPLICATION SPEC 114-5250 WEIGHT CUSTOMER DRAWING | | Iyco Electronics AMP K.K. Kawasaki, Japan 025 SERIES CONNECTOR 12 POS PLUG HOUSING ASSY SHORT BODY SIZE CODE DRAWING NO. 114-5250 WEIGHT A11 00779 SCALE 5:1 SHEET 2 OF 2 REV 0 | |
|-----------------------|--|---|--|---|--|---|--|