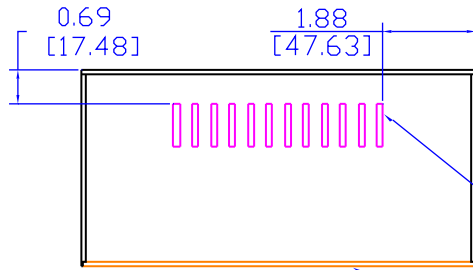


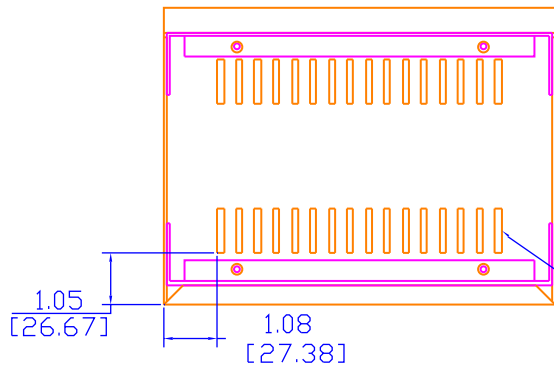
NOTES

MATERIAL 20 GAUGE STEEL BASE AND TOP
 0.064" THICK ALUMINUM PANELS
PARTS LIST EIGHT 6-32 NICKEL PLATED SCREWS (1421J6)
 FOUR SELF ADHESIVE RUBBER FEET (1421T3)
FINISH OFF WHITE WITH 1 BLACK & 1 OFF WHITE PANEL
 (1426*-B) SATIN BLUE, 1 BLACK & 1 OFF WHITE PANEL

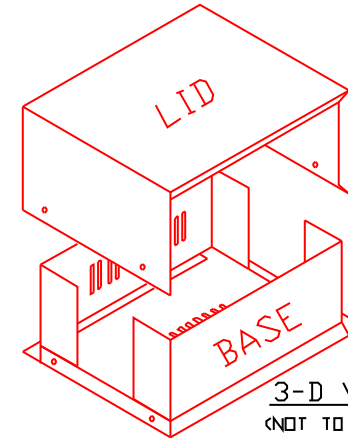
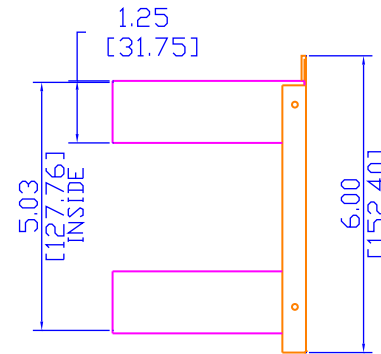


.125" x .875" SLOTS
 AT .375" CENTERS
 IN UPPER HALF OF
 THE REAR PANEL

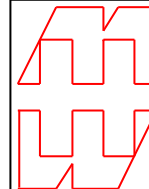
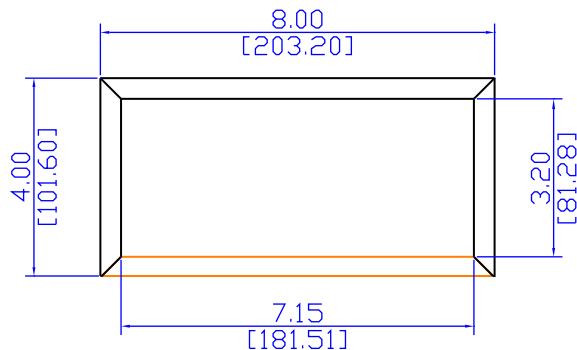
0.50" FOLD ON ALL
 4 SIDES



.125" x .875" SLOTS
 AT .375" CENTERS
 IN BOTTOM OF BASE



3-D VIEW
 (NOT TO SCALE)



**HAMMOND
 MANUFACTURING**

CANADA (519) 886 7171 FAX (519) 886 8311
 U.S.A. (716) 631 5700 FAX (716) 631 1156
 WEB: WWW.HAMMONDMFG.COM

UNLESS OTHERWISE SPECIFIED DIMENSIONS ARE IN INCHES		DESCRIPTION HAMMOND 1426 SERIES INSTRUMENT CASE	
.X	+/- .1	PART NUMBER	DATE
.XX	+/- .06	1426M	12/22/99
.XXX	+/- .02		PAGE
.XXXX	+/- .005		1 OF 1
HOLES	+/- .005		
ANGLES	+/- .5 DEG.		