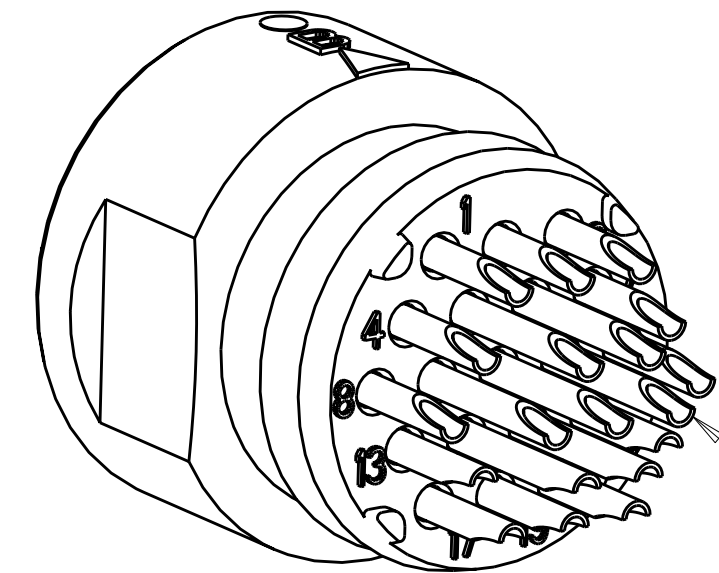
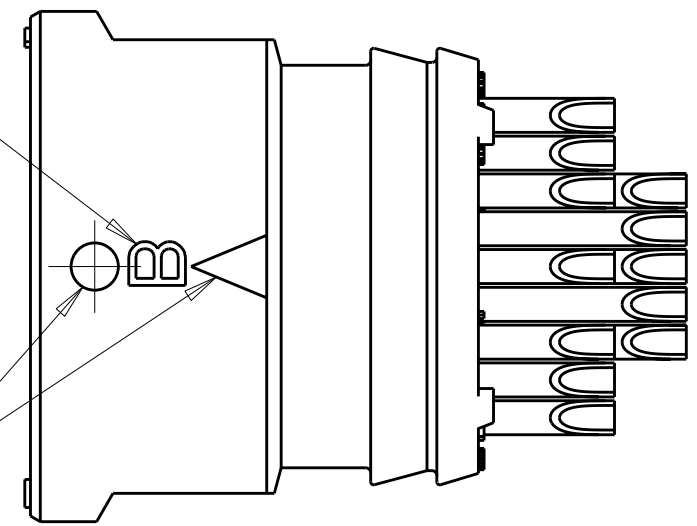


THIS DRAWING IS UNPUBLISHED. RELEASED FOR PUBLICATION 20
 © COPYRIGHT 20 BY TYCO ELECTRONICS CORPORATION. ALL RIGHTS RESERVED.

| LOC | | DIST | | REVISIONS | | | |
|-----|-----|--------------------------|-----------|-----------|------|--|--|
| P | LTR | DESCRIPTION | DATE | DWN | APVD | | |
| | B | RELEASED EC 063B-0570-04 | 28JUL2004 | SW | HW | | |
| | B1 | REVISED ECO-06-013149 | 06JUN2006 | SW | DC | | |
| | B2 | REVISED ECO-06-029818 | 02JAN2007 | SW | DC | | |

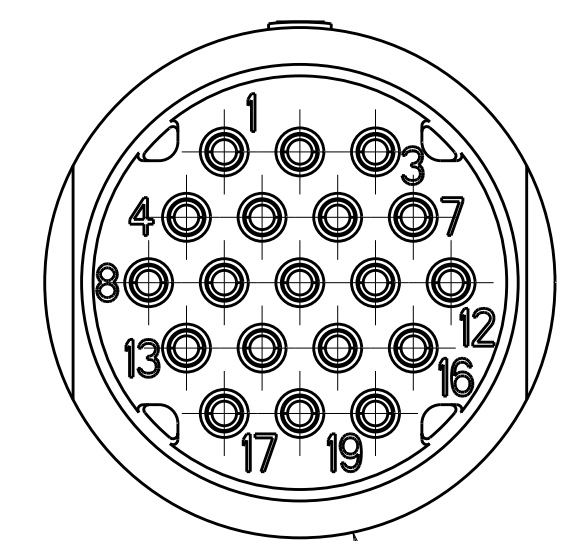
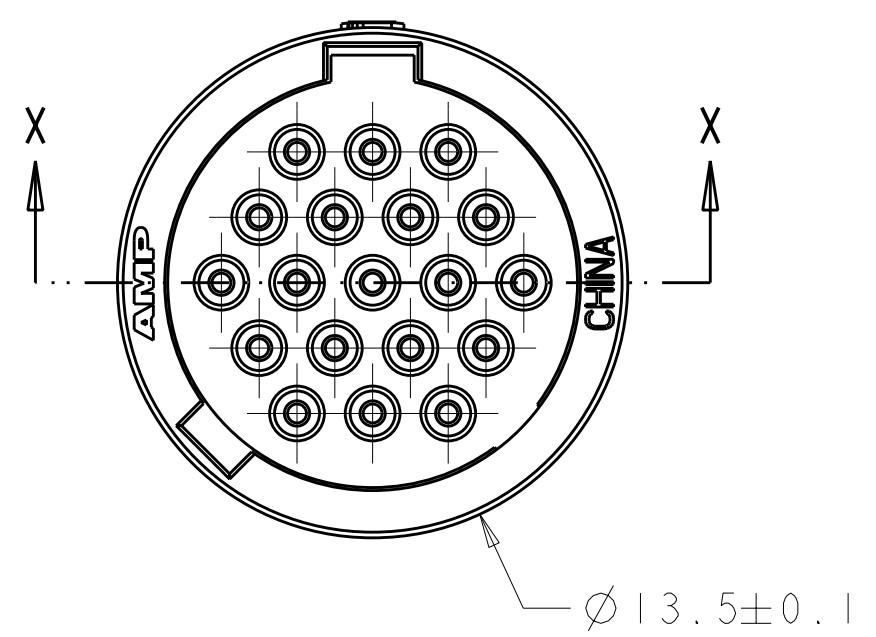
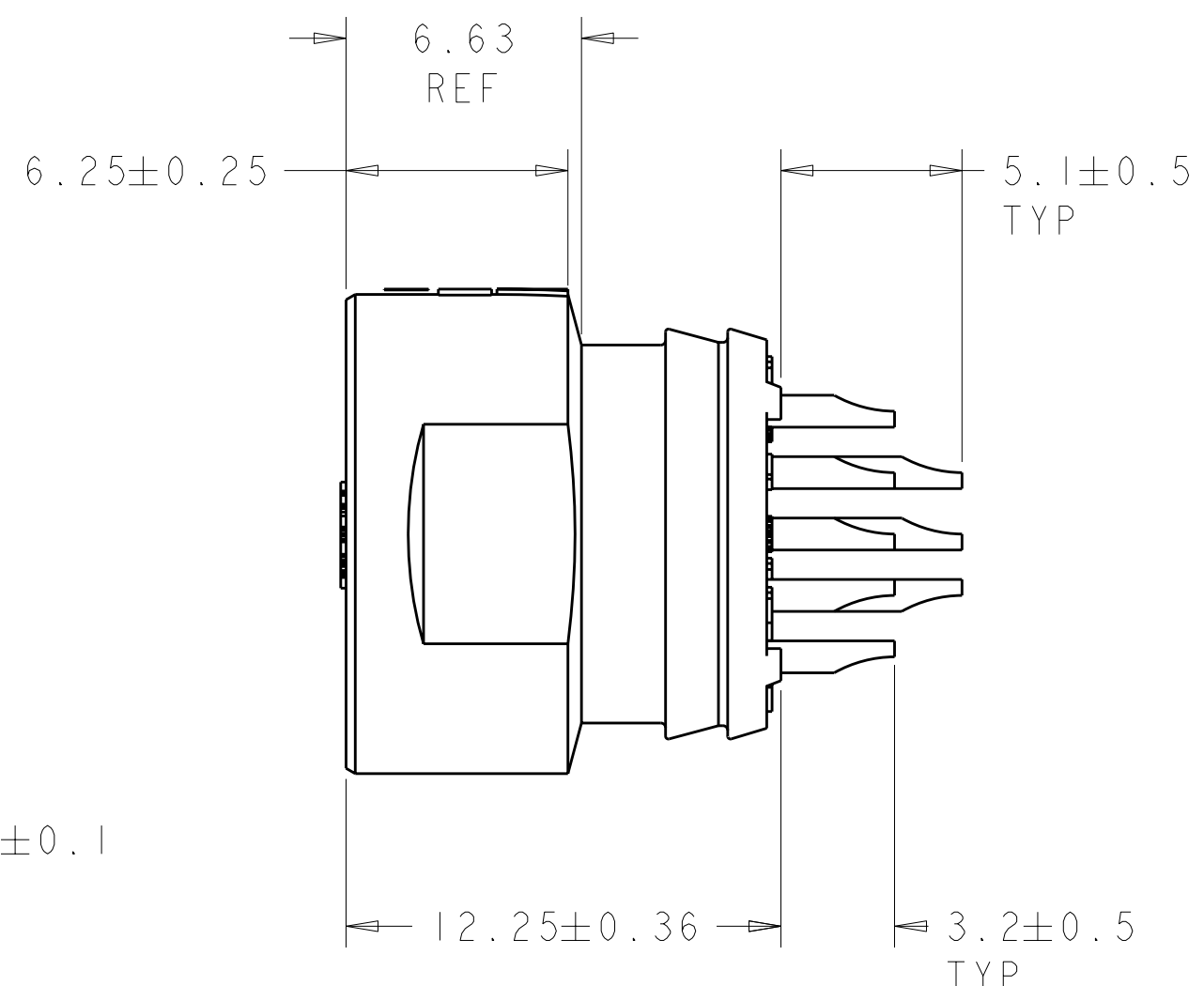
LATCH IDENTIFIER
 B-BREAKAWAY LATCH
 BREAKAWAY VERSION ONLY,
 MAY BE ORIENTED IN ANY DIRECTION

ALIGNMENT
 INDICATORS

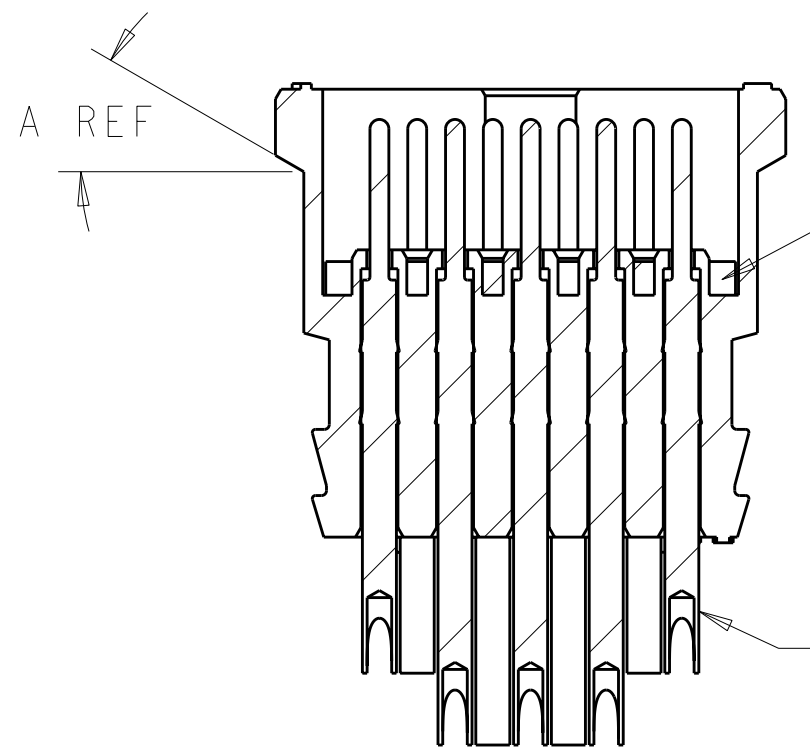


SOLDER TERMINATION AREA OF ALL
 CONTACTS IN CIRCUITS #8 THRU #12
 MAY BE ORIENTED UP OR DOWN

VIEW Z



HOUSING, QTY-1
 MATERIAL: THERMOPLASTIC, COLOR-SEE TABLE



SEAL, INTERFACIAL, QTY-1
 MATERIAL: SILICONE, COLOR-RED

CONTACT, SOLDER CUP, QTY-19
 MATERIAL: BRASS
 FINISH: SEE TABLE
 SEE VIEW Z FOR CONTACT ORIENTATION

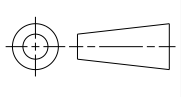
SECTION X-X

| | | | | | |
|--|--|--|---|-----------------------|---|
| THIS DRAWING IS A CONTROLLED DOCUMENT FOR TYCO ELECTRONICS CORPORATION IT IS SUBJECT TO CHANGE AND THE CONTROLLING ENGINEERING ORGANIZATION SHOULD BE CONTACTED FOR THE LATEST REVISION. | | DWN SHANE WIESE 23AUG2001 | tyco Electronics | | Tyco Electronics Harrisburg, PA 17105-3608 |
| DIMENSIONS: mm | | CHK G. DOUTY 23AUG2001 | NAME ASSY, RECEPTACLE, VERTICLE, FREE HANGING, SOLDER CUP 19 POSITION, MICRO CPC | | |
| TOLERANCES UNLESS OTHERWISE SPECIFIED: | | APVD H. WAKEEM 28JUL2004 | SIZE A2 | | |
| 0 PLC ±- 1 PLC ±- 2 PLC ±0.13 3 PLC ±- 4 PLC ±- ANGLES ±- FINISH | | PRODUCT SPEC - APPLICATION SPEC - | CAGE CODE 00779 | DRAWING NO 1445773 | RESTRICTED TO - |
| MATERIAL SEE CALLOUT | | WEIGHT - | SCALE 5:1 SHEET 1 OF 2 REV B2 | | |
| | | CUSTOMER DRAWING | | | |

THIS DRAWING IS UNPUBLISHED. RELEASED FOR PUBLICATION 20
 © COPYRIGHT 20 BY TYCO ELECTRONICS CORPORATION. ALL RIGHTS RESERVED.

| LOC | DIST | REVISIONS | | | | | |
|-----|------|-----------|-----|-------------|------|-----|------|
| FT | 0 | P | LTR | DESCRIPTION | DATE | DWN | APVD |
| | | - | | SEE SHEET 1 | | | |

| | | | | | | |
|----------|------------------------|------------------|---------|-------|-----------|-------------|
| 11 | 4-7,9,10,11,13-16 | GOLD OVER NICKEL | 30° | WHITE | BREAKAWAY | 2-1445773-4 |
| 11 | 4-7,9,10,11,13-16 | GOLD OVER NICKEL | 0° | BLACK | POSITIVE | 2-1445773-3 |
| 10 | 4-7,9,11,13-16 | GOLD OVER NICKEL | 30° | WHITE | BREAKAWAY | 2-1445773-2 |
| 10 | 4-7,9,11,13-16 | GOLD OVER NICKEL | 0° | BLACK | POSITIVE | 2-1445773-1 |
| 9 | 1,3,5,6,10,14,15,17,19 | GOLD OVER NICKEL | 30° | WHITE | BREAKAWAY | 2-1445773-0 |
| 9 | 1,3,5,6,10,14,15,17,19 | GOLD OVER NICKEL | 0° | BLACK | POSITIVE | 1-1445773-9 |
| 8 | 1,3,5,6,14,15,17,19 | GOLD OVER NICKEL | 30° | WHITE | BREAKAWAY | 1-1445773-8 |
| 8 | 1,3,5,6,14,15,17,19 | GOLD OVER NICKEL | 0° | BLACK | POSITIVE | 1-1445773-7 |
| 12 | 1-4,7,8,12,13,16-19 | GOLD OVER NICKEL | 30° | WHITE | BREAKAWAY | 1-1445773-6 |
| 12 | 1-4,7,8,12,13,16-19 | GOLD OVER NICKEL | 0° | BLACK | POSITIVE | 1-1445773-5 |
| 13 | 1-4,7,8,10,12,13,16-19 | GOLD OVER NICKEL | 30° | WHITE | BREAKAWAY | 1-1445773-4 |
| 13 | 1-4,7,8,10,12,13,16-19 | GOLD OVER NICKEL | 0° | BLACK | POSITIVE | 1-1445773-3 |
| 14 | 1-4,7-9,11-13,16-19 | GOLD OVER NICKEL | 30° | WHITE | BREAKAWAY | 1-1445773-2 |
| 14 | 1-4,7-9,11-13,16-19 | GOLD OVER NICKEL | 0° | BLACK | POSITIVE | 1-1445773-1 |
| 15 | 1-4,7-13,16-19 | GOLD OVER NICKEL | 30° | WHITE | BREAKAWAY | 1-1445773-0 |
| 15 | 1-4,7-13,16-19 | GOLD OVER NICKEL | 0° | BLACK | POSITIVE | 1445773-9 |
| 16 | 1-8,12-19 | GOLD OVER NICKEL | 30° | WHITE | BREAKAWAY | 1445773-8 |
| 16 | 1-8,12-19 | GOLD OVER NICKEL | 0° | BLACK | POSITIVE | 1445773-7 |
| 17 | 1-8,10,12-19 | GOLD OVER NICKEL | 30° | WHITE | BREAKAWAY | 1445773-6 |
| 17 | 1-8,10,12-19 | GOLD OVER NICKEL | 0° | BLACK | POSITIVE | 1445773-5 |
| 18 | 1-9,11-19 | GOLD OVER NICKEL | 30° | WHITE | BREAKAWAY | 1445773-4 |
| 18 | 1-9,11-19 | GOLD OVER NICKEL | 0° | BLACK | POSITIVE | 1445773-3 |
| 19 | ALL | GOLD OVER NICKEL | 30° | WHITE | BREAKAWAY | 1445773-2 |
| 19 | ALL | GOLD OVER NICKEL | 0° | BLACK | POSITIVE | 1445773-1 |
| QTY | CIRCUITS LOADED | FINISH | A | COLOR | LATCH | PART NUMBER |
| CONTACTS | | | HOUSING | | | PART NUMBER |

| | | | |
|--|---|--|--|
| <small>THIS DRAWING IS A CONTROLLED DOCUMENT FOR TYCO ELECTRONICS CORPORATION. IT IS SUBJECT TO CHANGE AND THE CONTROLLING ENGINEERING ORGANIZATION SHOULD BE CONTACTED FOR THE LATEST REVISION.</small> | | DWN 23AUG2001 SHANE WIESE CHK 23AUG2001 G. DOUITY APVD 28JUL2004 H. WAKEFEM | tyco Electronics Tyco Electronics Harrisburg, PA 17105-3608 |
| DIMENSIONS: mm  | TOLERANCES UNLESS OTHERWISE SPECIFIED: 0 PLC ± 1 PLC ± 2 PLC ±0.13 3 PLC ± 4 PLC ± ANGLES ± FINISH | PRODUCT SPEC APPLICATION SPEC WEIGHT | NAME ASSY, RECEPTACLE, VERTICLE, FREE HANGING, SOLDER CUP 19 POSITION, MICRO CPC SIZE A2 CAGE CODE 00779 DRAWING NO. 1445773 RESTRICTED TO |
| MATERIAL | | CUSTOMER DRAWING | SCALE 5:1 SHEET 2 OF 2 REV B2 |