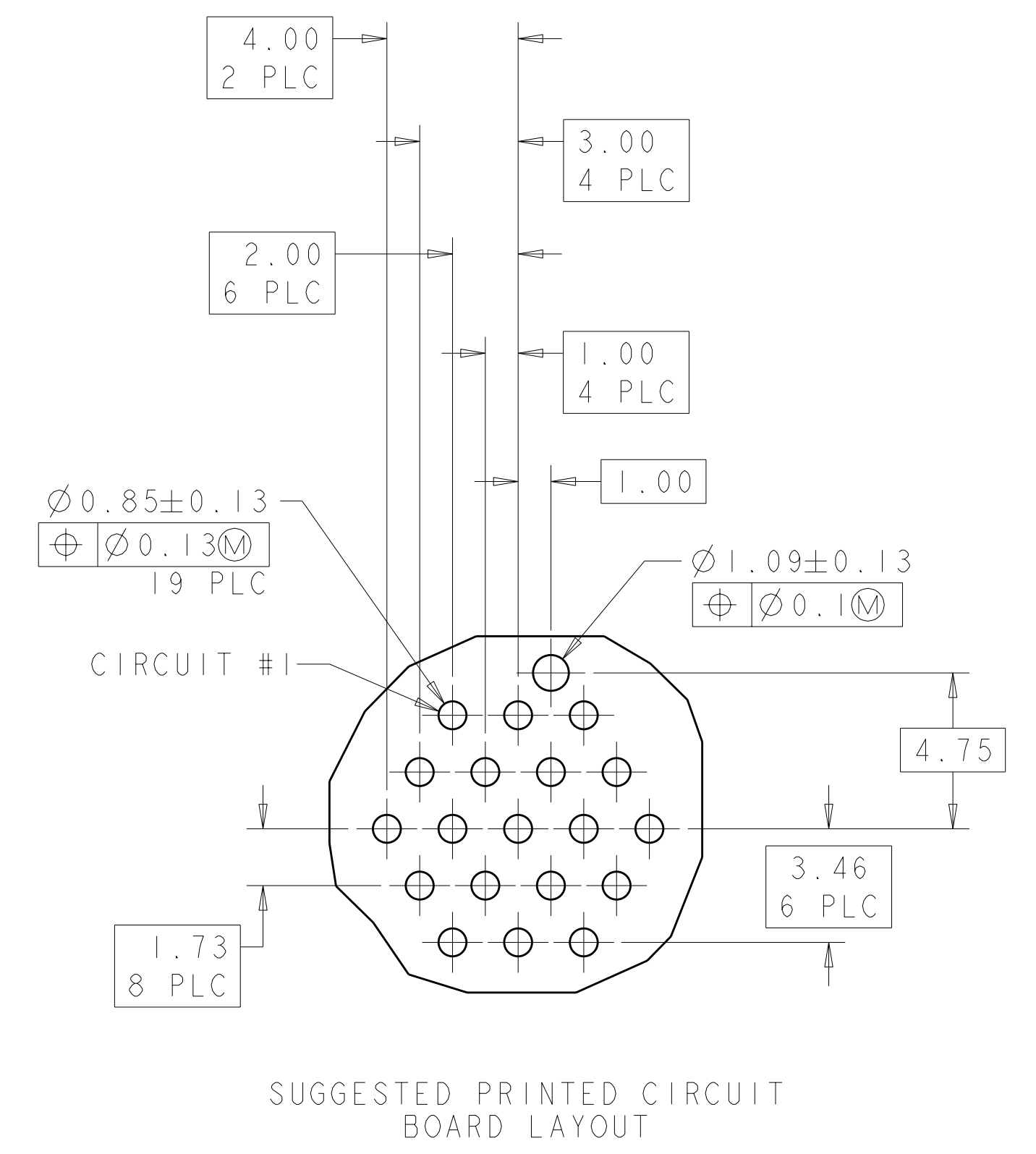
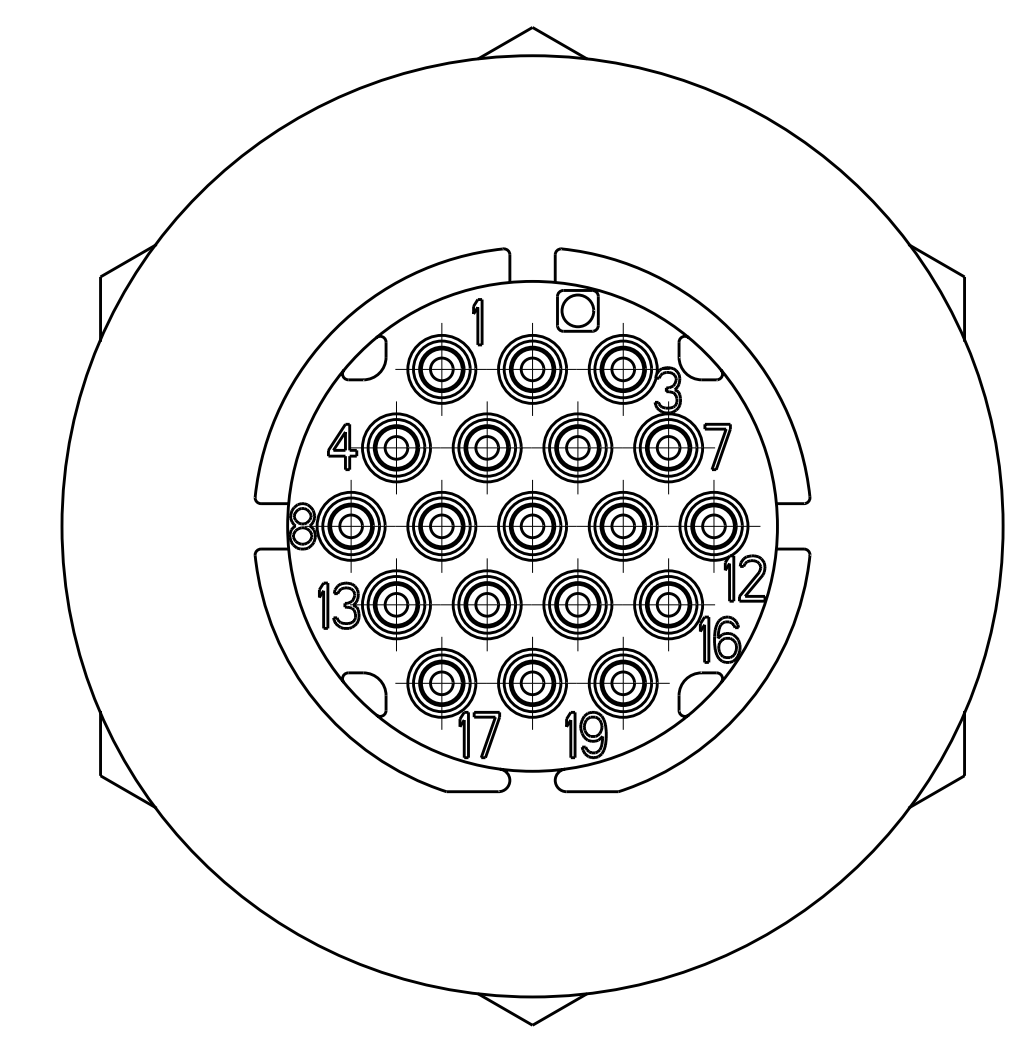
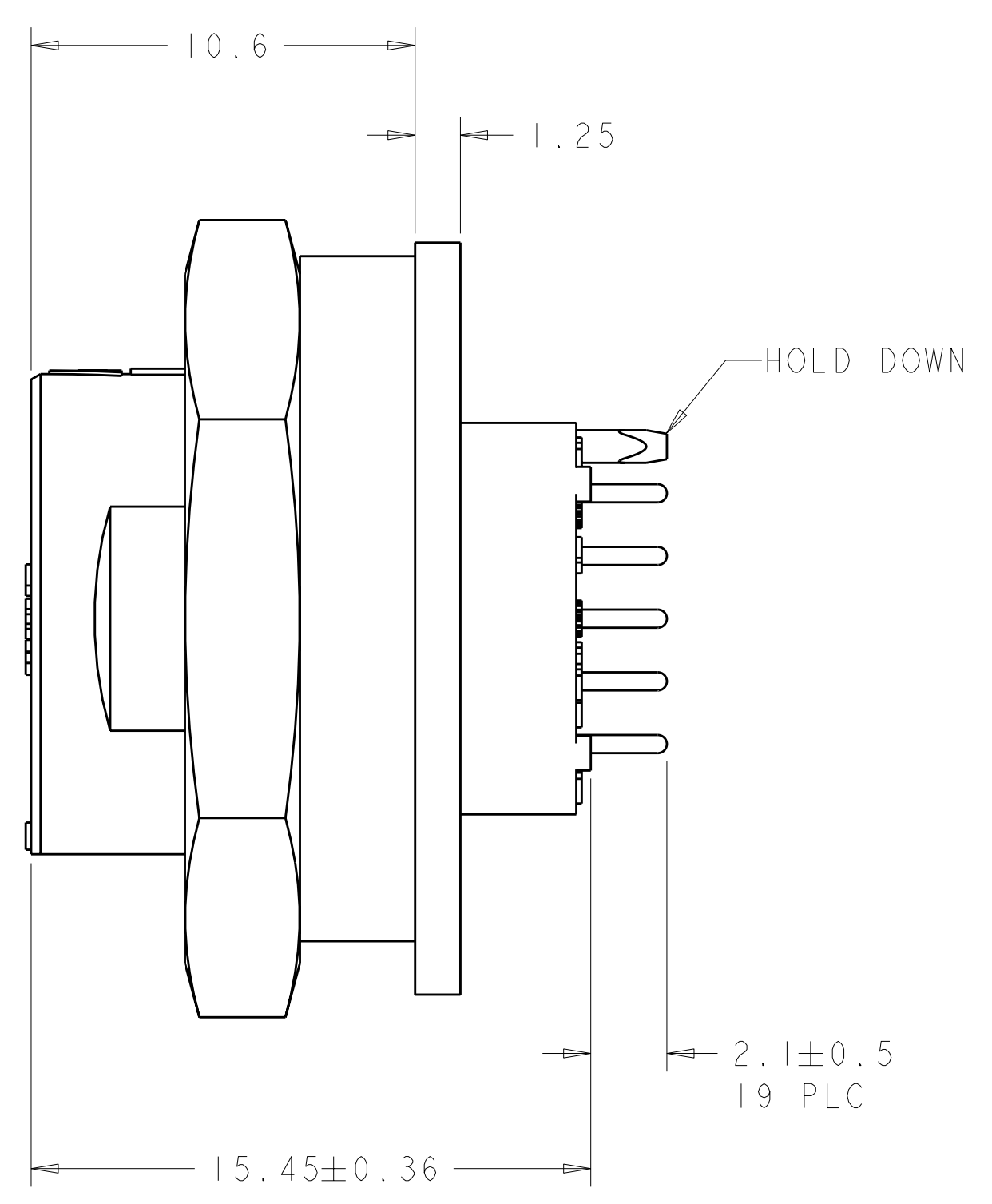
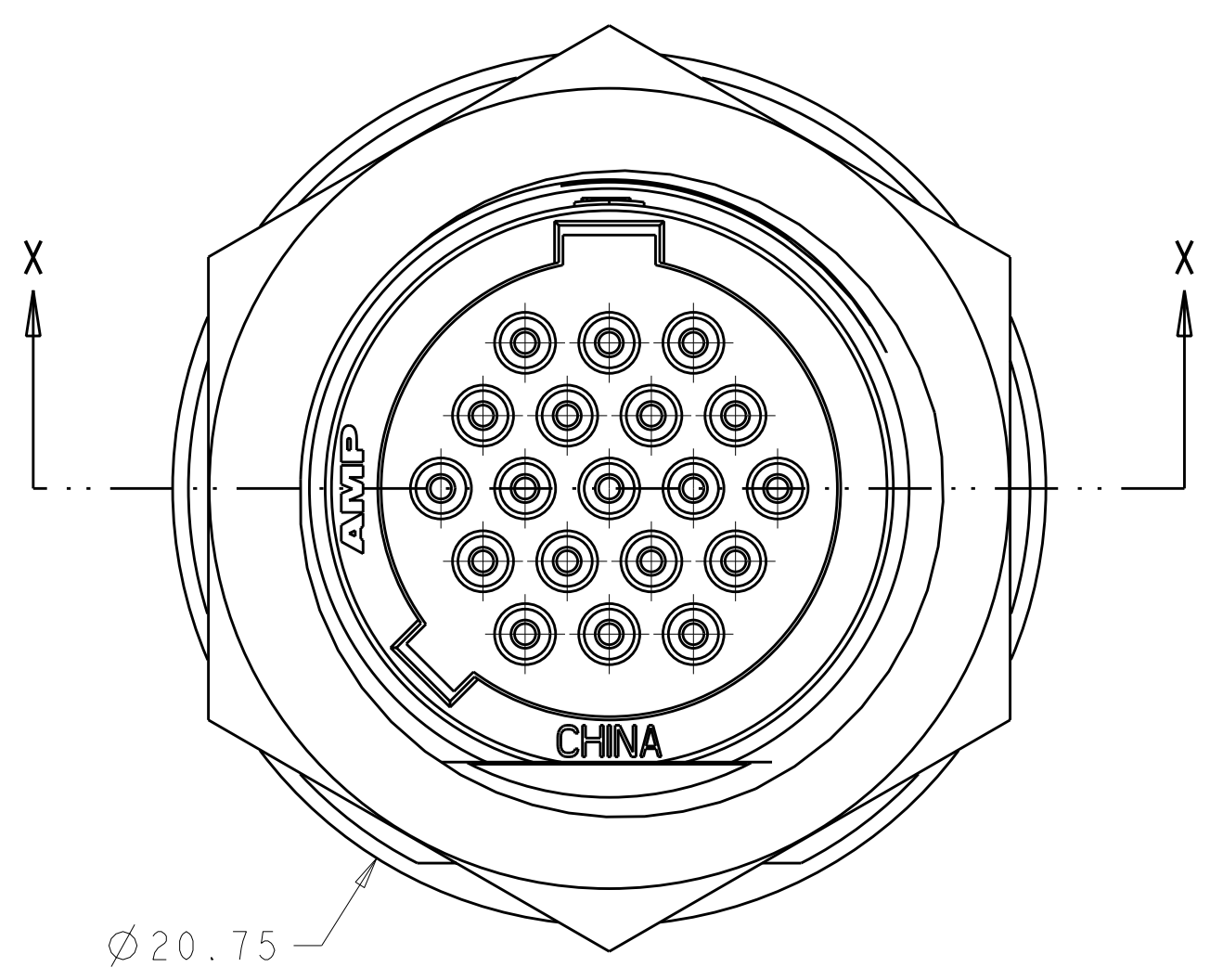


| LOC | DIST | REV | DESCRIPTION           | DATE      | BY | APP'D |
|-----|------|-----|-----------------------|-----------|----|-------|
| FT  | 0    |     |                       |           |    |       |
|     |      | D   | REVISED ECO-06-013152 | 07JUN2006 | SW | DC    |
|     |      | D1  | REVISED ECO-06-029818 | 04JAN2007 | SW | DC    |

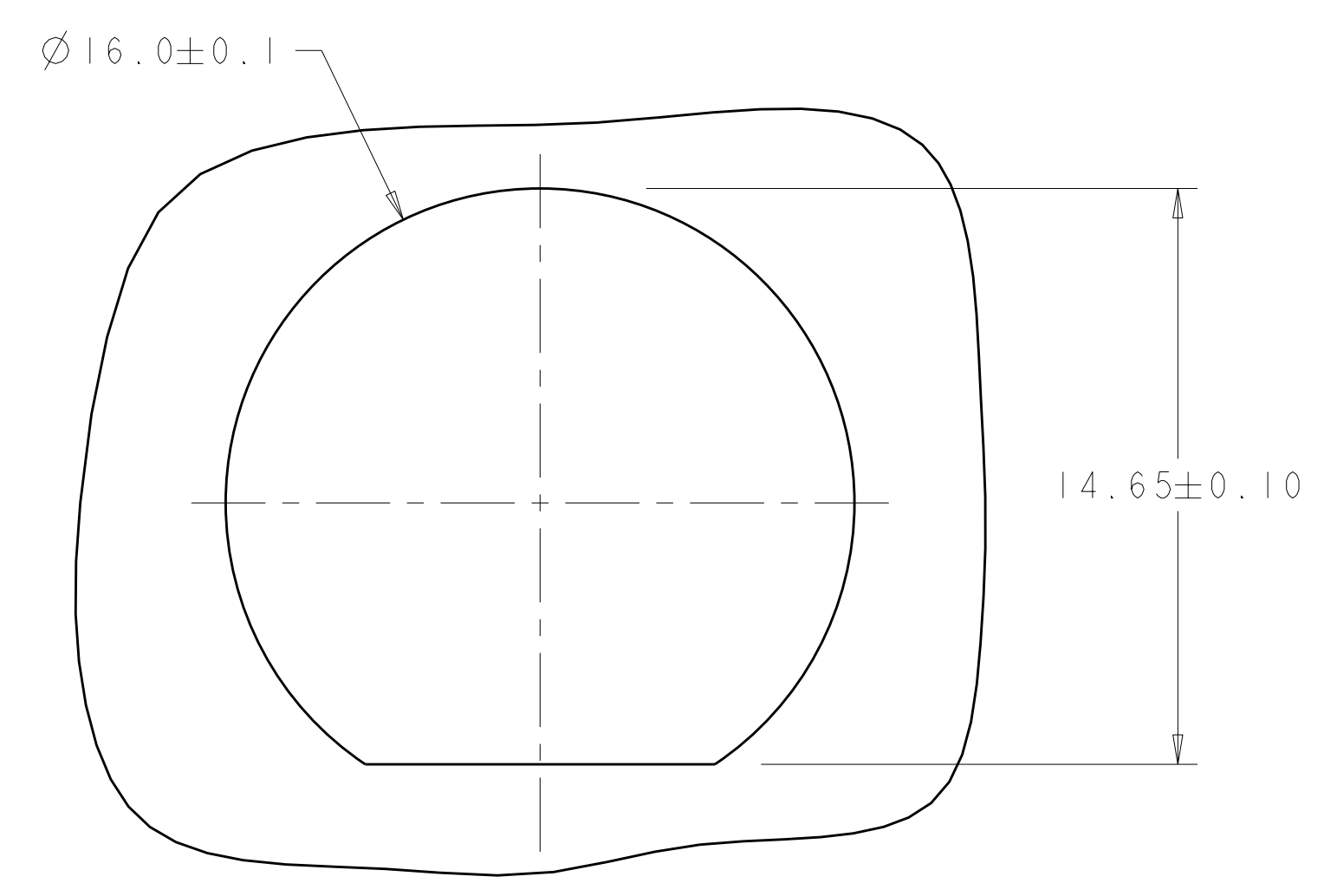
LATCH IDENTIFIER  
 B-BREAKAWAY LATCH  
 BREAKAWAY VERSION ONLY,  
 MAY BE ORIENTED IN ANY DIRECTION

ALIGNMENT INDICATOR

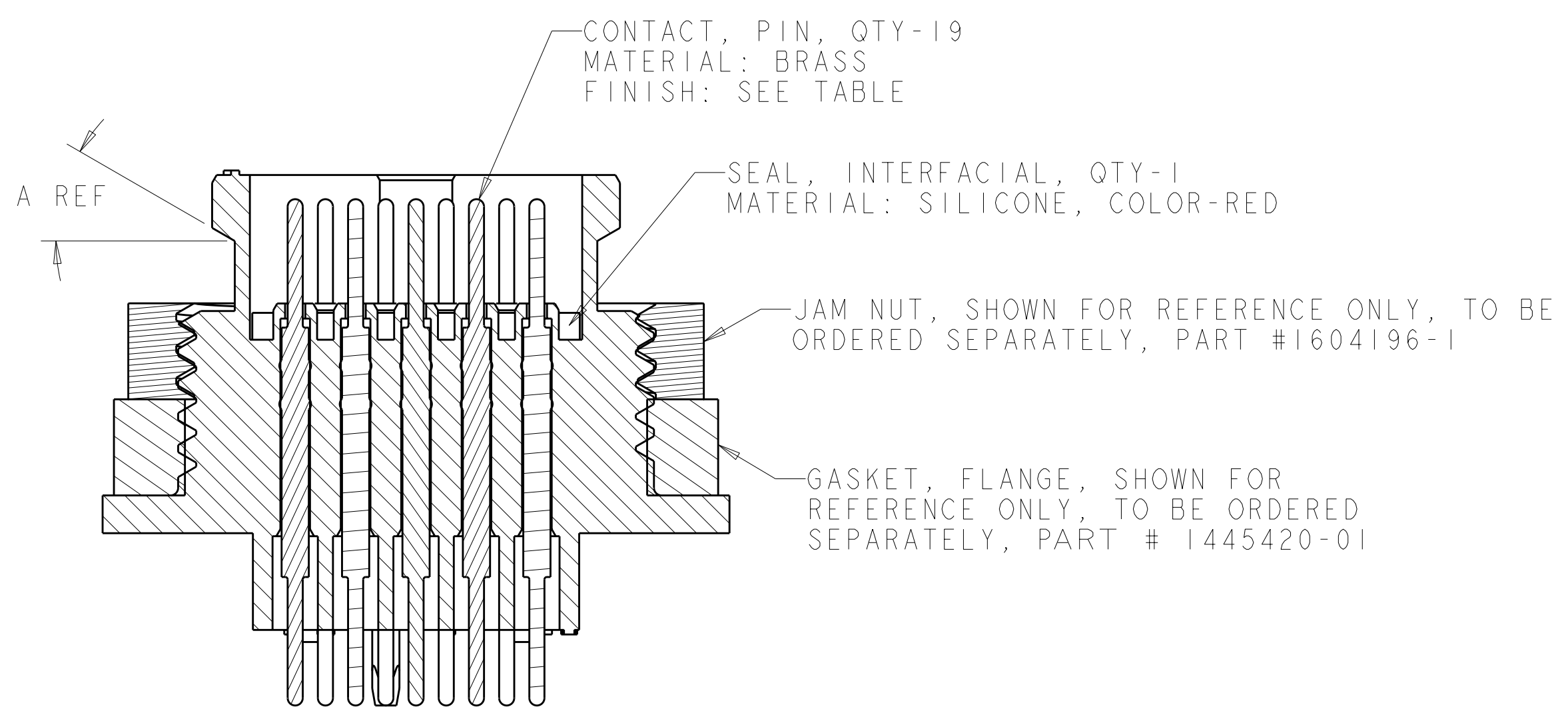
HOUSING, QTY: 1  
 MATERIAL: THERMOPLASTIC, COLOR-SEE TABLE



SUGGESTED PRINTED CIRCUIT BOARD LAYOUT



SUGGESTED PANEL CUTOUT  
 3.18 MAX PANEL THICKNESS

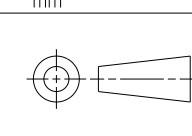


SECTION X - X

|                      |         |                                        |             |                           |         |                                                                |         |
|----------------------|---------|----------------------------------------|-------------|---------------------------|---------|----------------------------------------------------------------|---------|
| DIMENSIONS:          |         | TOLERANCES UNLESS OTHERWISE SPECIFIED: |             | DWN SHANE WUEST 24AUG2001 |         | Tyco Electronics                                               |         |
| mm                   | 9 PLC ± | 1 PLC ±                                | 2 PLC ±0.13 | 3 PLC ±                   | 4 PLC ± | 5 PLC ±                                                        | 6 PLC ± |
|                      | ANGLES  | FINISH SEE CALLOUT                     |             | CHK G DOUTY 24AUG2001     |         | Tyco Electronics                                               |         |
| MATERIAL SEE CALLOUT |         |                                        |             | APVD H WAKEEM 29JUL2004   |         | Harrisburg, PA 17105-3608                                      |         |
|                      |         |                                        |             | PRODUCT SPEC              |         | NAME                                                           |         |
|                      |         |                                        |             | APPLICATION SPEC          |         | ASSY, RECEPTACLE, FLANGE, SOLDER TAIL, 19 POSITIONS, MICRO CPC |         |
|                      |         |                                        |             | WEIGHT                    |         | SIZE CAGE CODE DRAWING NO RESTRICTED TO                        |         |
|                      |         |                                        |             | CUSTOMER DRAWING          |         | A1100779C=1445778                                              |         |
|                      |         |                                        |             | SCALE 6:1                 |         | SHEET 1 OF 2 REV D1                                            |         |

| LOC | DIST | REVISIONS   |      |     |      |
|-----|------|-------------|------|-----|------|
| FT  | 0    | REV         | DATE | DWN | APVD |
| -   | -    | SEE SHEET 1 | -    | -   | -    |
|     |      |             |      |     |      |
|     |      |             |      |     |      |

|          |                        |                  |         |       |           |             |
|----------|------------------------|------------------|---------|-------|-----------|-------------|
| 11       | 4-7,9,10,11,13-16      | GOLD OVER NICKEL | 30°     | WHITE | BREAKAWAY | 2-1445778-7 |
| 11       | 4-7,9,10,11,13-16      | GOLD OVER NICKEL | 0°      | BLACK | POSITIVE  | 2-1445778-6 |
| 10       | 4-7,9,11,13-16         | GOLD OVER NICKEL | 30°     | WHITE | BREAKAWAY | 2-1445778-5 |
| 10       | 4-7,9,11,13-16         | GOLD OVER NICKEL | 0°      | BLACK | POSITIVE  | 2-1445778-4 |
| 9        | 1,3,5,6,10,14,15,17,19 | GOLD OVER NICKEL | 30°     | WHITE | BREAKAWAY | 2-1445778-3 |
| 9        | 1,3,5,6,10,14,15,17,19 | GOLD OVER NICKEL | 0°      | BLACK | POSITIVE  | 2-1445778-2 |
| 8        | 1,3,5,6,14,15,17,19    | GOLD OVER NICKEL | 30°     | WHITE | BREAKAWAY | 2-1445778-1 |
| 8        | 1,3,5,6,14,15,17,19    | GOLD OVER NICKEL | 0°      | BLACK | POSITIVE  | 2-1445778-0 |
| 19       | ALL                    | GOLD OVER NICKEL | 0°      | BLACK | POSITIVE  | 1-1445778-9 |
| 12       | 1-4,7,8,12,13,16-19    | GOLD OVER NICKEL | 30°     | WHITE | BREAKAWAY | 1-1445778-6 |
| 12       | 1-4,7,8,12,13,16-19    | GOLD OVER NICKEL | 0°      | BLACK | POSITIVE  | 1-1445778-5 |
| 13       | 1-4,7,8,10,12,13,16-19 | GOLD OVER NICKEL | 30°     | WHITE | BREAKAWAY | 1-1445778-4 |
| 13       | 1-4,7,8,10,12,13,16-19 | GOLD OVER NICKEL | 0°      | BLACK | POSITIVE  | 1-1445778-3 |
| 14       | 1-4,7-9,11-13,16-19    | GOLD OVER NICKEL | 30°     | WHITE | BREAKAWAY | 1-1445778-2 |
| 14       | 1-4,7-9,11-13,16-19    | GOLD OVER NICKEL | 0°      | BLACK | POSITIVE  | 1-1445778-1 |
| 15       | 1-4,7-13,16-19         | GOLD OVER NICKEL | 30°     | WHITE | BREAKAWAY | 1-1445778-0 |
| 15       | 1-4,7-13,16-19         | GOLD OVER NICKEL | 0°      | BLACK | POSITIVE  | 1445778-9   |
| 16       | 1-8,12-19              | GOLD OVER NICKEL | 30°     | WHITE | BREAKAWAY | 1445778-8   |
| 16       | 1-8,12-19              | GOLD OVER NICKEL | 0°      | BLACK | POSITIVE  | 1445778-7   |
| 17       | 1-8,10,12-19           | GOLD OVER NICKEL | 30°     | WHITE | BREAKAWAY | 1445778-6   |
| 17       | 1-8,10,12-19           | GOLD OVER NICKEL | 0°      | BLACK | POSITIVE  | 1445778-5   |
| 18       | 1-9,11-19              | GOLD OVER NICKEL | 30°     | WHITE | BREAKAWAY | 1445778-4   |
| 18       | 1-9,11-19              | GOLD OVER NICKEL | 0°      | BLACK | POSITIVE  | 1445778-3   |
| 19       | ALL                    | GOLD OVER NICKEL | 30°     | WHITE | BREAKAWAY | 1445778-2   |
| 19       | ALL                    | GOLD OVER NICKEL | 0°      | BLACK | POSITIVE  | 1445778-1   |
| QTY      | CIRCUITS LOADED        | FINISH           | A       | COLOR | LATCH     | PART NUMBER |
| CONTACTS |                        |                  | HOUSING |       |           | PART NUMBER |

|                                                                                                            |  |                                                                                                                          |                                                                                                                                                 |                                                                                                                                                                                                                                              |
|------------------------------------------------------------------------------------------------------------|--|--------------------------------------------------------------------------------------------------------------------------|-------------------------------------------------------------------------------------------------------------------------------------------------|----------------------------------------------------------------------------------------------------------------------------------------------------------------------------------------------------------------------------------------------|
| DIMENSIONS:<br>mm<br> |  | TOLERANCES UNLESS OTHERWISE SPECIFIED:<br>9 PLC ±<br>1 PLC ±0.13<br>5 PLC ±<br>4 PLC ±<br>ANGLES ±<br>FINISH SEE CALLOUT | DWN SHANE WIESE 24AUG2001<br>CHK G DOUTY 24AUG2001<br>APVD H WAKEEM 29JUL2004<br>PRODUCT SPEC<br>APPLICATION SPEC<br>WEIGHT<br>CUSTOMER DRAWING | Tyco Electronics<br>Harrisburg, PA 17105-3608<br><b>tyco</b><br><b>Electronics</b><br>ASSY, RECEPTACLE, FLANGE,<br>SOLDER TAIL, 19 POSITIONS,<br>MICRO CPC<br>SIZE CAGE CODE DRAWING NO<br>A100779C=1445778<br>SCALE 3:1 SHEET 2 OF 2 REV D1 |
|------------------------------------------------------------------------------------------------------------|--|--------------------------------------------------------------------------------------------------------------------------|-------------------------------------------------------------------------------------------------------------------------------------------------|----------------------------------------------------------------------------------------------------------------------------------------------------------------------------------------------------------------------------------------------|