

Plug-in Screw Connector System for Printed Circuit Boards

TYPE 930-FL (-DS)

3.5 mm spacing - 2 to 24 poles



Distributor Stock Check

Series	Download PDF	3D Model	Can plug with	How to order	Color specifications	Print
------------------------	------------------------------	--------------------------	-------------------------------	------------------------------	--------------------------------------	-----------------------



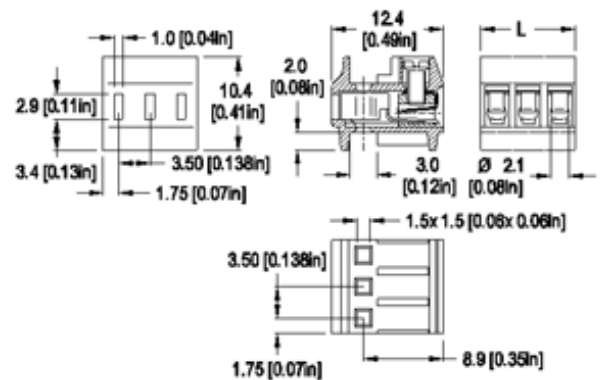
930-FL (-DS)



One possible variation of assembly



RoHS WEEE Pb free compliant



Dimensions: mm (in.)

Length of Connector (L)

L = No. of Poles x Center to Center Spacing

When locating connector, allow 0.5 mm clearance around it for process-induced variations.

Approval Information

UL File No.E69841

CSA File No.LR24322



Rating	Current(A)	Voltage(V)	Application group	AWG
UL	6	300	B	30-18
CSA	6	300	B	28-18

* DS version is CSA certified for 28-20 AWG.

Screw Tightening Torque:

UL: 2.0 lbf·in

CSA: 0.2 Nm

Rated Impulse Withstand Voltage: 2500 V

Description

- Plug
- Plug-In Direction Perpendicular to PCB and Wire Entrance Parallel to PCB when plugged with **931-SLS**
- Plug-In Direction and Wire Entrance Perpendicular to PCB when plugged with **931-FST**

Material

Technical Data

Center to Center Spacing: 3.5 mm (0.138 in.)

Nominal Cross Section:

0.75 mm² (1162 mils²)

Wire Stripping Length: 5 mm (0.197 in.)

Application

This can be plugged with the 931-SLS. Entry of the pin can be on top side or on the bottom of these plugs. You can stack the plug on top of each other when used with extra long pins on the 931-SLS strips.

Molding: Polyamide, self extinguishing UL 94, V-0, color grey

Temperature limits:

Short Time: 140°C (284°F)

Continuous: RTI 105°C (221°F)

Low Limit: -40°C (-40°F)

Comparative Tracking Index: CTI > 600

Oxygen Index Rating: 32%

Terminal Body: Nickel plated copper alloy

Wire Protector: Nickel silver

Contact Spring: Tin plated copper alloy

Screw: M2, Slotted head, zinc plated blue passivated, steel substrate

 [Top of page](#)

How to order

Item 930-FL (-DS)

Options

FST: 931-FST pinstrips assembled to plug

CN: Consecutive Numbering (hot stamped numbers)

SM: Special Marking (please provide sketch)

G05: Gold Plating (5 micro inches)

G30: Gold Plating (30 micro inches)

S30: Silver Plating (30 micro inches)

SLS: 931-SLS Pinstrips assembled to Plug

Note: Plated component: contact spring

Ordering Note: Version with 7 mm spacing (932-FL (-DS)).

[Request sample](#)

[Request quote](#)

Quantity

Accessories

[BST Self Adhesive Marking Strips.](#)

[Consecutively numbered.](#)

[LST Single Pins.](#)

930-FL

WIRE PROTECTOR:
with: - DS

POLES:
02 to 24

/

[Add to shopping cart](#)