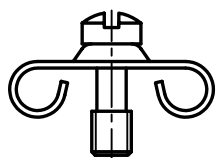
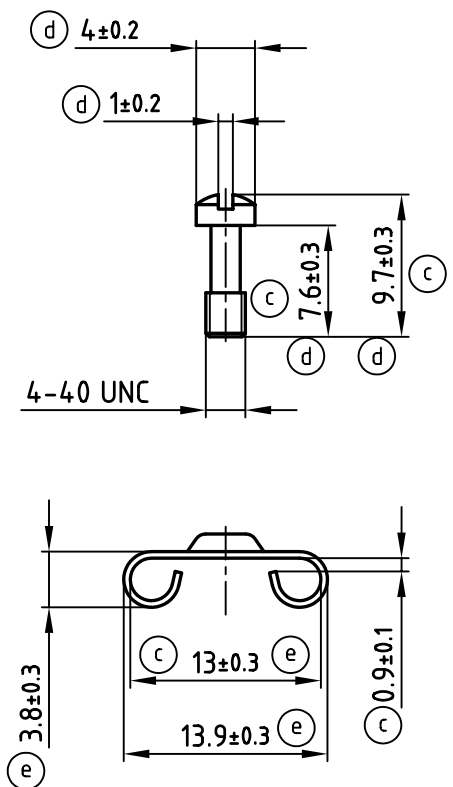


used for: D-SUB



1 SET CONSISTS OF :
2 CLAMPS
2 SCREWS

Directive 2002/95/EC
"RoHS"
Compliant

PART-NO.	BULK QUANTITY
160X10259X	1 SET
160X00949A	100 SETS

THIS DRAWING MAY NOT BE COPIED OR REPRODUCED IN ANY WAY, AND MAY NOT BE PASSED ON TO A THIRD PARTY WITHOUT WRITTEN PERMISSION.
OWNERSHIP AND COPYRIGHT OF CONEC GmbH
DO NOT ALTER CAD DRAWING BY HAND

tolerance		scale: 2:1	
2001	date	material: (b) (f) STEEL; NICKEL PLATED	
drawn	21.08.	title: CLAMP 9-37pos.	
name	Parei	dwg no: AutoCAD 2000 DIN-A	
1 x f	Ä 2441	16K1A274A (d)	
3 x e	Ä 2228	sh:1/2	
5 x d	Ä 2210	part no: SEE TABLE	
4 x c	Ä 2156		
2 x b	Ä 1819		
rev.	description	date	name



material: (b) (f) STEEL; NICKEL PLATED
title: CLAMP 9-37pos.
dwg no: AutoCAD 2000 DIN-A
16K1A274A (d)
sh:1/2
part no: SEE TABLE

4

3

2

1

used for: D-SUB

F

F

E

E

D

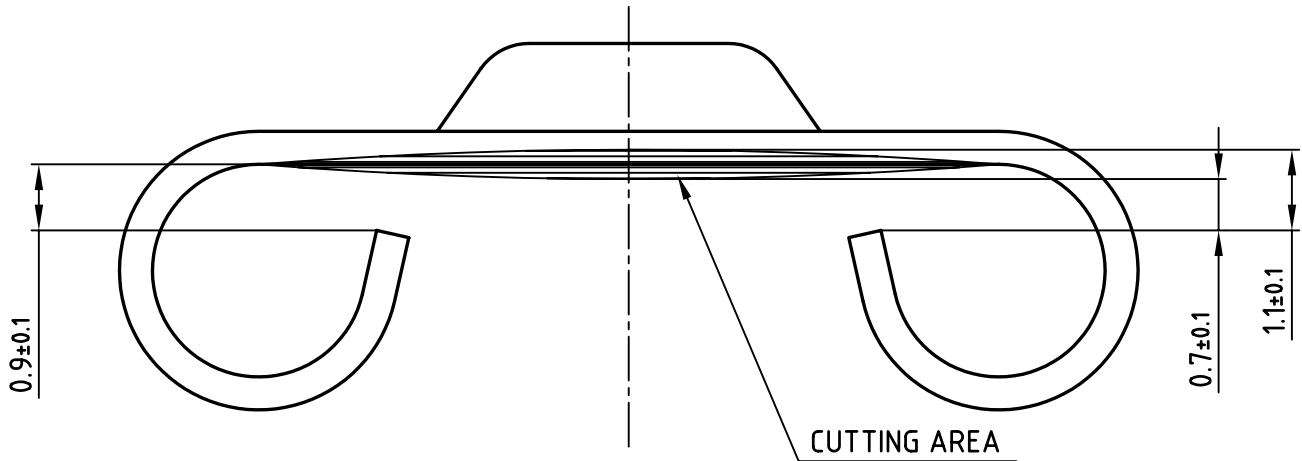
D

C

C

B

B



THIS DRAWING MAY NOT BE COPIED OR REPRODUCED IN ANY WAY, AND MAY NOT BE PASSED ON TO A THIRD PARTY WITHOUT WRITTEN PERMISSION.
 OWNERSHIP AND COPYRIGHT OF CONEC GmbH
 DO NOT ALTER CAD DRAWING BY HAND

1x d	Ä 2210	21.04.2005	HS
rev.	description	date	name

tolerance		
2005	date	
drawn	21.04.	name
appd.	21.04.	Labus
norm		
d-old		

scale:	10:1
material:	SEE SHEET 1
title:	CLAMP 9-37pos.
dwg no:	AutoCAD 2004
part no:	SEE SHEET 1
	DIN-A 4 (d) sh:2/2

4

3

2

1

A

A