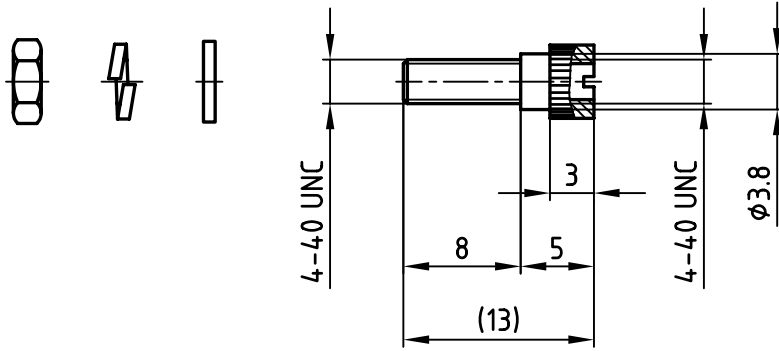


used for: D-SUB



1 SET CONSISTS OF: 2 SCREWS
 2 WASHERS
 2 SPRING RINGS
 2 NUTS

MATERIAL:

1. SCREW: COPPER ALLOY; NICKEL PLATED
2. WASHER: STEEL; NICKEL PLATED
3. SPRING RING: STEEL; NICKEL PLATED
4. NUT: STEEL; NICKEL PLATED



APPROVAL # FREIGABE # DEBLOCAGE # AUTORIZACION # APPROVAL	
CUSTOMER APPROVAL DATE:	
NAME:	TITLE:
COMPANY NAME:	
APPROVAL # FREIGABE # DEBLOCAGE # AUTORIZACION # APPROVAL	

THIS DRAWING MAY NOT BE COPIED OR REPRODUCED IN ANY WAY, AND MAY NOT BE PASSED ON TO A THIRD PARTY WITHOUT WRITTEN PERMISSION.
 OWNERSHIP AND COPYRIGHT OF CONEC GmbH
 DO NOT ALTER CAD DRAWING BY HAND

tolerance		dim. in mm
2006	date	
drawn	02.02.	name
appd.	02.02.	Mickenbecker
norm		
d-old		
a	Origin	
rev.	description	date
		name



scale:	2:1	
material:	SEE DRAWING	
title:	SCREW LOCKING BOLT SET PACKED	
dwg no:	AutoCAD 2004	DIN-A
	16K1A1723	4
part no:	160X10329X	
		sh: 1/1