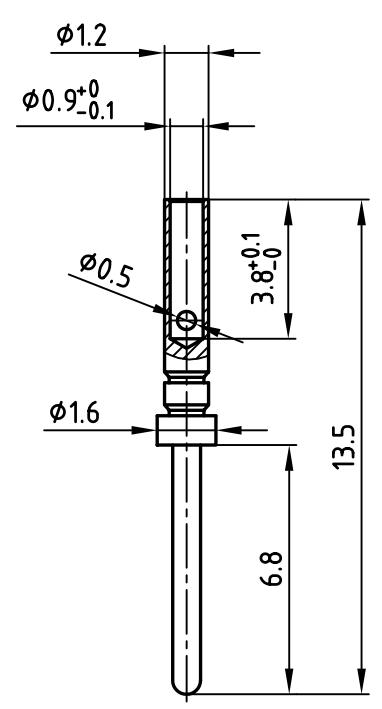
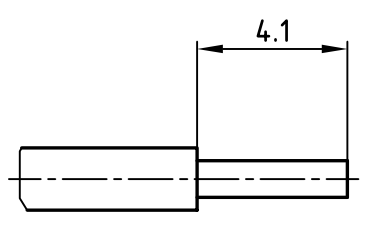


used for: D-SUB HD

(b) STRIPPING DIMENSIONS



(b) NOTES:

- 1. CONTACTS: BRASS
- 2. PLATING: 8µin HARD GOLD OVER min. 50µin NICKEL
- 3. CRIMPING: USE CRIMP TOOL 360X10329X WITH TOOL INSERT 360X10629X
- SELECTOR SETTINGS: 4 for AWG 22
3 for AWG 24
2 for AWG 26
1 for AWG 28

Directive 2002/95/EC
„RoHS“
Compliant

THIS DRAWING MAY NOT BE COPIED OR REPRODUCED IN ANY WAY, AND MAY NOT BE PASSED ON TO A THIRD PARTY WITHOUT WRITTEN PERMISSION. OWNERSHIP AND COPYRIGHT OF CONEC GmbH DO NOT ALTER CAD DRAWING BY HAND

tolerance		ISO 2768-m			
2001	date	name			
drawn	12.03.	Parei			
appd.	12.03.	E. Mickenbecker			
norm					
d-old					
2 x b	Ä 2647	11.01.2007	Lehmen		
a	Origin				
rev.	description	date	name		



scale:	5:1	
material:	SEE NOTES	
title:	HD CRIMP PLUG CONTACT	
dwg no:	AutoCAD 2000	DIN-A
	16K1A152A	4
part no:	161A18009X	sh: 1/1